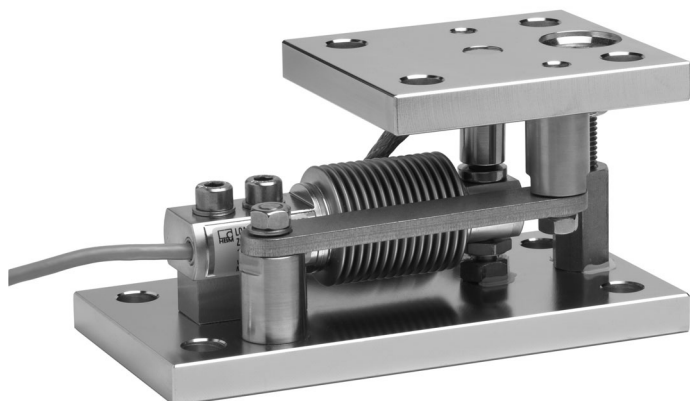


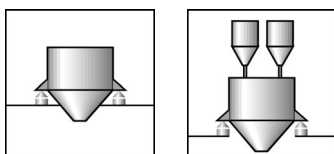
# Z6/M...

Weighing module for  
50 kg...500 kg

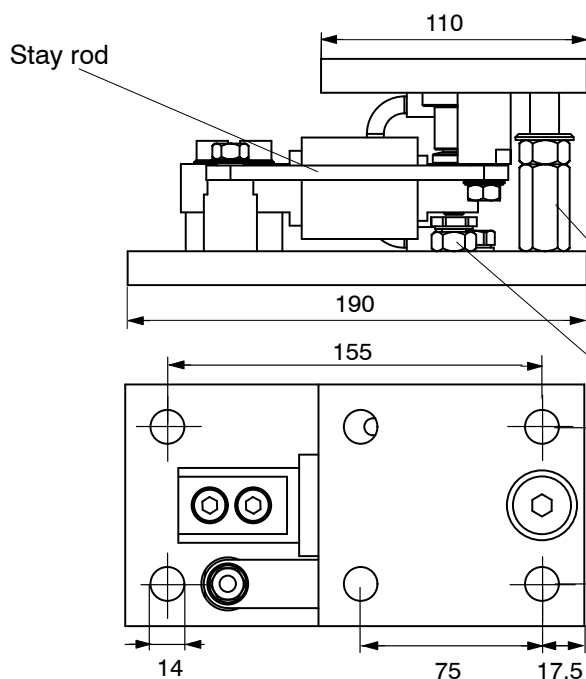


## Special features

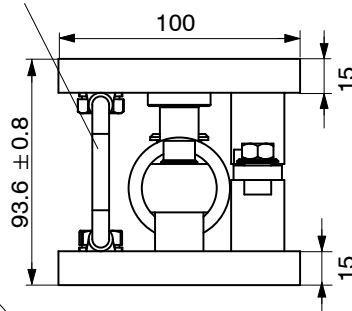
- Equipped with load cell Z6F...class D1 or C3 according to OIML R60
- With overload stop and stay rod
- Maintenance-free
- Compact installation at minimum height
- Easy installation
- Two versions available:
  - Galvanized material or
  - Stainless steel (preferred types)
- Self-restoring due to pendulum bearing
- With anti-liftoff device and lifting device



Dimensions (in mm, 1mm = 0.03937 inches)



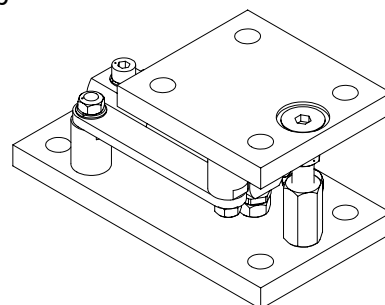
Ground cable



Lifting device / anti-liftoff device

For removing the load cell, the upper plate can be lifted by max. 1.5 mm.

Overload stop



## Specifications of the weighing module Z6/M:

<b>Maximum capacity</b>		<b>50 kg</b>	<b>100 kg</b>	<b>200 kg</b>	<b>500 kg</b>
<b>Limit load</b>	% of Max. capacity	150			
<b>Breaking load</b>	% of Max. capacity	200			
<b>Restoring force</b> (at 1 mm side offset)	% of applied load	6.1			
<b>Max. side offset transverse to the stay rod axis*</b>	mm	± 1.5			
<b>Max. static horizontal force in the stay rod direction</b>	kN	5			
<b>Max. lift-off force</b>	kN	5			
<b>Material</b>		Galvanized or Stainless steel			
Weight (depending on the version, incl. load cell)	kg	8...9			
<b>Adjustment range of the overload stop</b>	mm	≤0.35	≤0.25	≤0.45	≤0.8


\* when horizontal adjustment the upper module plate

## Ordering codes

### Z6/M-Modules (incl. load cell Z6FC3...), preferred types

Type	Z6/M
<b>Material</b>	stainless steel
<b>Accuracy class</b>	C3 (OIML)
<b>Max. capacities</b>	<b>Order-no.</b>
50 kg	1-Z6/M3LBR50KG
100 kg	1-Z6/M3LBR100KG
200 kg	1-Z6/M3LBR200KG
500 kg	1-Z6/M3LBR500KG


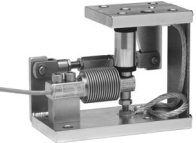


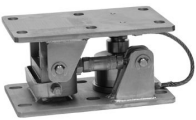
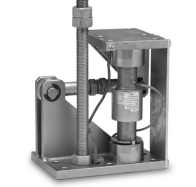

### Z6/M-Modules (incl. load cell Z6FC3...), optional versions

Order no.		
<b>K-Z6M</b>		
<b>Code</b>	<b>Option 1: Material</b>	
R	Stainless steel	
V	Galvanized	
<b>Code</b>	<b>Option 2: Accuracy</b>	
D1	D1 (OIML)	
C3	C3 (OIML)	
<b>Code</b>	<b>Option 3: Capacity</b>	
50	50kg	
100	100kg	
<b>Code</b>	<b>Option 3: Capacity</b>	
200	200kg	
500	500kg	
<b>Code</b>	<b>Option 4: Ex protection (accord. to ATEX 95)</b>	
N	non ATEX	
1	ATEX Zone 1 + 21	
2	ATEX Zone 2 + 22 (non-conductive dust)	
<b>Code</b>	<b>Option 5: Cable length</b>	
S3	3m (Standard)	
6	6m	
12	12m	

K-Z6M - [ ] - [ ] - [ ] - [ ] - [ ] - [ ] - N

For additional information on the appropriate load cells, please refer to our data sheet Z6F...

## HBM-Weighing modules at a glance

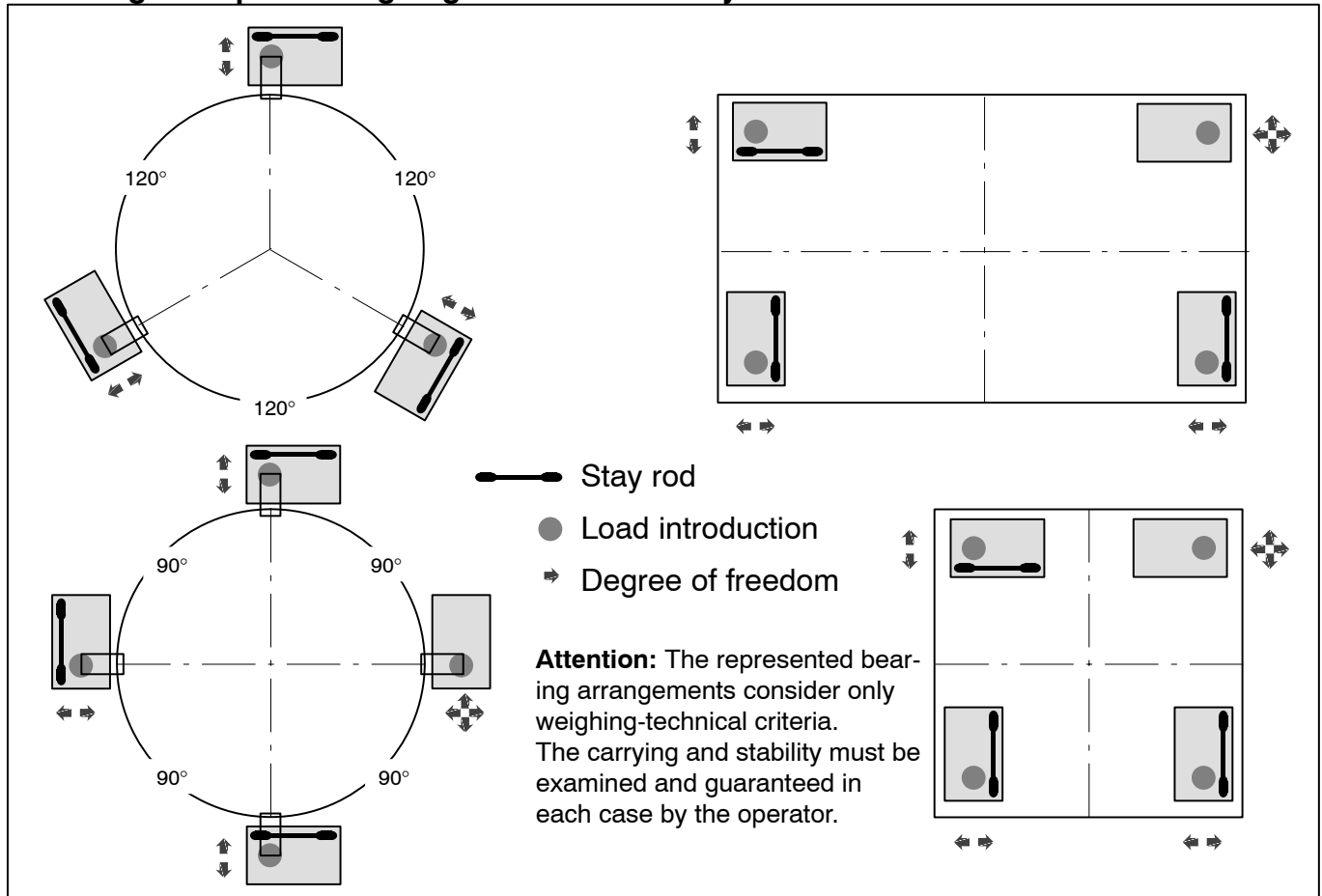
Type	Max. capacities	Accuracy class (OIML)	Material ■ = Stainless steel ● = galvanized	Ex-proof version (accord. to ATEX 95) S = Standard (without Ex-protection); ● = Zone 1 + 21 or Zone 2 + 22 ◆ = II G EExd
<b>Z6M</b> 	50 kg; 100 kg; 200 kg; 500 kg	with load cell: D1; C3	■ ●	S ●
<b>Z6AM</b> 	50 kg; 100 kg; 200 kg; 500 kg	with load cell: C4; C6	■ ●	S ●
<b>HLC/M</b> 	220 kg; 550 kg; 1.1 t; 1.76 t; 2 t; 2.2 t; 4.4 t	with load cell: D1; C3	■ ●	S ●
<b>RTN/M<sup>1)2)</sup></b> 	1 t; 2.2 t; 4.7 t; 10 t; 15 t; 22 t; 33 t	with dummy (Load cells with accuracy class 0.005; C3 are available)	■ ●	S ●
<b>C2A/M<sup>1)2)</sup></b> 	1 t; 2 t; 5 t; 10 t	with dummy (Load cells with accuracy class D1; C3; C4 are available)	■ ●	S ●
<b>C16<sup>3)</sup></b> 	20 t; 30 t; 40 t; 60 t; 100 t; 200 t	with load cell: 0.1 %; D1; C3; C4	■ ●	S ● ◆ Overvoltage protection
<b>Accessories for RTN-, C2A- and C16-weighing modules</b>				
<b>Fixed bearings</b> 	1 t; 2 t; 4.7 t; 5 t; 10 t; 15 t; 22 t; 33 t	for RTN- and C2A-weighing- modules	●	
	20 t 40 t; 60 t; 100 t; 200 t	for C16-weighing modules	●	

1) With rubber-metal bearing or pendulum bearing available. Fitted with or without stay rod.

2) Fitted with or without stay rod.

3) Accessories: Anti-liftoff device.

## Mounting example of weighing modules with stay rods:



Modifications reserved.  
 All details describe our products in general form only. They are not to be understood as express warranty and do not constitute any liability whatsoever.

**Hottinger Baldwin Messtechnik GmbH**

Im Tiefen See 45, D-64293 Darmstadt, Germany  
 Tel.: +49 6151 8030; Fax: +49 6151 803 9100  
 E-mail: support@hbm.com www.hbm.com



measurement with confidence