

Mounting Instructions

Montageanleitung

Notice de montage

Digital load cell

Digitale Wägezelle

Peson numérique

PW15AHi



English **Page 3 ... 24**
Deutsch **Seite 25 ... 46**
Français **Page 47 ... 68**

Contents	Page
Safety instructions	4
1 Application	6
2 Special features	7
3 Marking and variants	7
4 Mechanical construction and mounting instructions	8
4.1 Design of the PW15AHi	8
4.2 Before start-up	8
4.3 Mounting instructions	9
5 Electrical configuration and function	10
5.1 Function	10
5.2 Signal conditioning	11
5.3 Trigger functions	12
5.4 Limit value function	13
5.5 Extreme value function	13
5.6 Dosing and filling control	13
5.7 Diagnostic function	14
6 Electrical connection	15
6.1 PW15AHi pin assignments	15
6.2 Supply voltage	16
7 Interfaces	18
7.1 RS-485 4-wire interfaces (UART)	18
7.2 CANopen interface	19
7.3 DeviceNet interface	20
7.4 Digital control input	22
8 Specifications	23

Safety instructions

The device must not be modified from the design or safety engineering point of view except with our express agreement. Any modification shall exclude all liability on our part for any damage resulting therefrom.

Repair is specifically forbidden. Repairs may only be carried out by HBM.

All the factory defaults are stored at the factory so that they are safe from power failure and cannot be deleted or overwritten. They can be reset at any time by using the command **TDD0**.

The production number set at the factory cannot be changed.

- PW15AHi load cells are exclusively designed for weighing technology measurement tasks and directly associated control and regulatory tasks. Use for any purpose other than the above is deemed to be non-designated use.
- There are not normally any hazards associated with this product, provided the notes and instructions for project planning, installation, appropriate operation and maintenance are observed.
- It is essential to comply with the safety and accident prevention regulations specific to the particular application.
- Installation and start-up must only be carried out by suitably qualified personnel.
- During installation and when connecting the cables, take action to prevent electrostatic discharge, as this may damage the electronics.
- The required power supply is a (12 – 30 V) extra-low voltage with safety separation from the mains (see Specifications).
- When connecting additional devices, comply with the safety requirements.
- All the interconnecting cables must be shielded cables. The shield must be connected extensively to ground on both sides.

For additional information, please refer to the Online Help on 1-FIT-AED-DOC (system CD).


Residual dangers are indicated in these mounting instructions by the following symbols:

Symbol:  **ATTENTION**

Meaning: **Possibly dangerous situation**

Warns of a potentially dangerous situation in which failure to comply with safety requirements **could** result in damage to property or some form of physical injury.


Symbols for application instructions and useful information:

Symbol:  **NOTE**

Means that important information about the product or its handling is being provided.

Symbol:  **CE mark**

The CE mark enables the manufacturer to guarantee that the product complies with the requirements of the relevant EC directives (the Declaration of Conformity can be found at <http://www.hbm.com/HBMdoc>).

Symbol: 

Meaning: **Statutory waste disposal mark**

In accordance with national and local environmental protection and material recovery and recycling regulations, old devices that can no longer be used must be disposed of separately and not with normal household garbage. If you need more information about waste disposal, please contact your local authorities or the dealer from whom you purchased the product.

1 Application

PW15AHi load cells belong to the digital load cell and measuring chain family specially developed by HBM for rapid dynamic weighing processes. They acquire measurement signals from strain gages, condition them digitally, output them and can network them for buses on request.

They supply a fully-filtered, scaled and digitized output signal for direct connection to a bus system or a PC. They operate at high data rates of up to 1200 measurements per second and can be easily and rapidly adapted to the actual weighing system by means of adjustable parameters.

The integrated trigger function allows event-driven determination of weight, which greatly reduces the external software requirements for checkweigher applications, for example.

The PW15AHi includes dosing control. As this load cell does not have any digital outputs, the external Master control must make digital I/Os available. The PW15AHi generates the information to control these digital outputs in the respective measurement statuses (**MSV** measurement status). The Master control then only needs to forward these control bits to its digital outputs to drive the dosing control valves.

The load cell is supplied as required with an RS485, CANopen or DeviceNet interface.

PW15AHi load cells are designed in stainless steel and have a high degree of protection (IP 68).

The *AED_Panel 32* PC software is available to facilitate parameter settings, to display dynamic measurement signals and for comprehensive frequency analysis of the dynamic system.

This part of the operating manual describes the hardware and the functions of PW15AHi digital load cells. The commands for serial communication are described in the online documentation (= AD103C commands).

2 Special features

- Rapid digital filtering and scaling of the measurement signal
- Serial interfaces: RS-485 4-wire, CANopen, DeviceNet
- All settings made via the serial interface
- Power failsafe parameter storage
- Indestructible storage of factory settings
- Selection of output speed of measured values up to 1200 measured values/s
- Four limit value functions
- Extreme value functions (MIN/MAX)
- Four trigger functions (internal level triggering, external triggering)
- Dosing control
- Diagnostic functions
- Supply voltage 12 V ... 30 V_{DC}
- Degree of protection: IP 68

3 Marking and variants

The PW15AHi can be delivered with three different interface types.
The accuracy class is C3 (OIML).

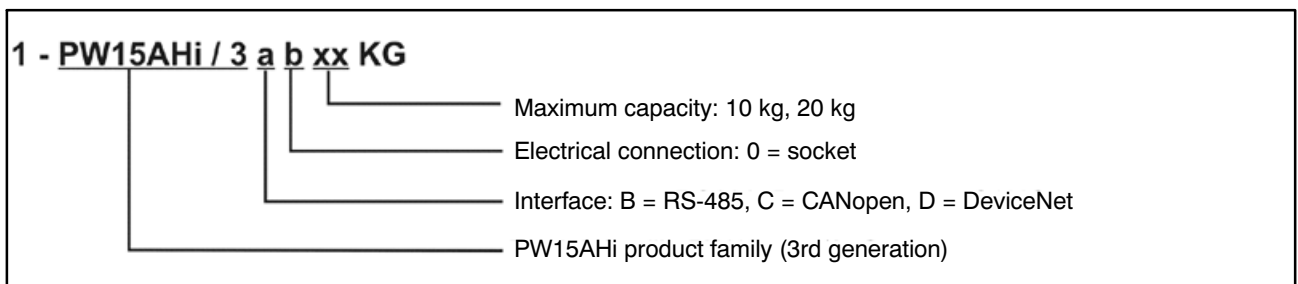


Fig. 3.1 PW15AHi order reference, explanations: RS-485 = RS-485 4-wire bus

The following preferred types are defined (other variants on request):

Max. capacity	Interfaces		
	RS-485	CANopen	DeviceNet
10 kg	1-PW15AHi/3B0/10kg	1-PW15AHi/3C0/10kg	1-PW15AHi/3D0/10kg
20 kg	1-PW15AHi/3B0/20kg	1-PW15AHi/3C0/20kg	1-PW15AHi/3D0/20kg
50 kg	1-PW15AHi/3B0/50kg	1-PW15AHi/3C0/50kg	1-PW15AHi/3D0/50kg

4.3 Mounting instructions

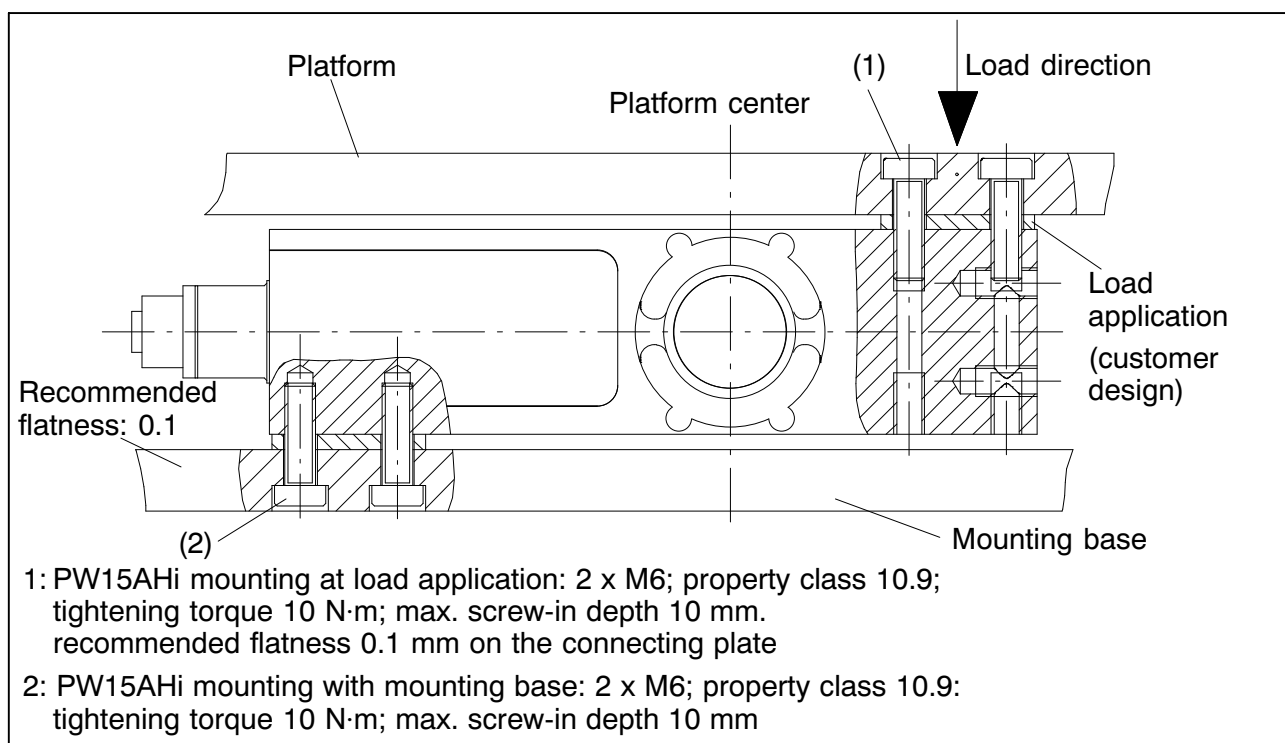


Fig. 4.2 PW15AHi mounting instructions

The PW15AHi load cell must be mounted on a clean surface with a flatness better than 0.1 mm. Overload protection can be integrated in the form of a M6x0.5 fine-thread screw.

It is recommended that the load is applied in the center of the platform, to minimize off-center load errors and moments.

Before installing **several** PW15AHi into an installation with a bus system, take the following into account:

The printed production number (typeplate) is required for setting up data communication. If the typeplate can no longer be seen after installation, the numbers of each PW15AHi should be noted beforehand. This enables different addresses to be assigned during the initial start-up.

Alternatively, **before** connection to the bus system, you can connect each PW15AHi individually with a PC, in order to set different addresses (see ADR command, Online Help).

5 Electrical configuration and function

The electronics of the PW15AHi digital load cell basically comprise the following function groups:

- Single-point load cell
- Amplifier
- Analog/digital converter (A/D)
- Evaluation unit (μP)
- Power failsafe parameter storage (EEPROM)
- Serial interface (RS-485, CANopen or DeviceNet)
- Control input IN1 (Trigger/Stop Dosing)

5.1 Function

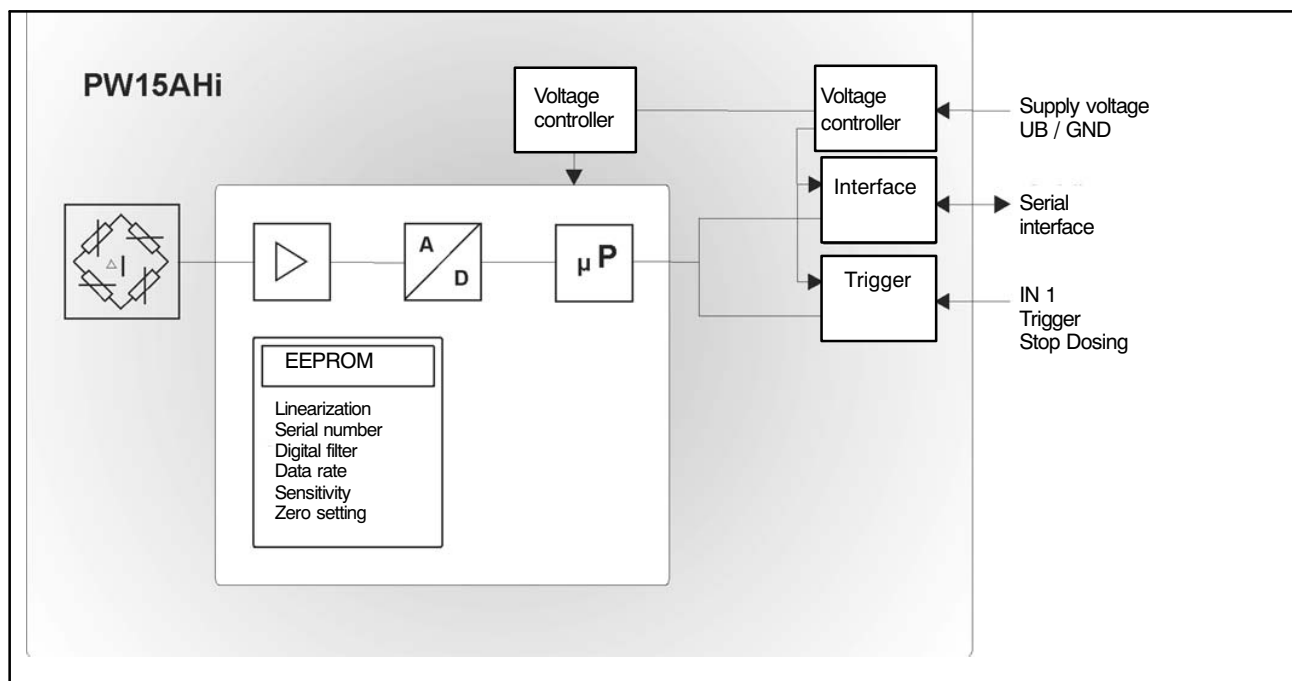


Fig. 5.1 Block diagram

The analog transducer signal is first amplified, then filtered and converted to a digital value in the analog/digital converter. The digitized signal is conditioned in the microprocessor and forwarded via the serial interface. All the parameters can be stored power failsafe in the EEPROM.

The PW15AHi load cell is adjusted at the factory with zero load and maximum capacity. The electronics determine a factory characteristic curve from these measured values and use this characteristic curve to map the subsequent measured values. Depending on the output format (**COF**), the following measured values are returned:

Output format	Input signal	Meas. values at NOV = 0	Meas. values for NOV > 0
Binary, 2 chars. (integer)	0...Max. capacity	0 ... 20 000 digits	0 ... NOV
Binary 4 chars. (long integer)	0...Max. capacity	0 ... 5,120,000 digits	0 ... NOV
ASCII	0...Max. capacity	0 ... 1,000,000 digits ¹⁾	0 ... NOV

¹⁾ Condition at the time of delivery

The two parameters **LDW** and **LWT** give you the opportunity to adapt the characteristic curve to meet your requirements (scale curve) and you can use the **NOV** command to standardize the measured values to the required scaling value (e. g. 3000 d). For more detailed information, see the Online Help.

5.2 Signal conditioning

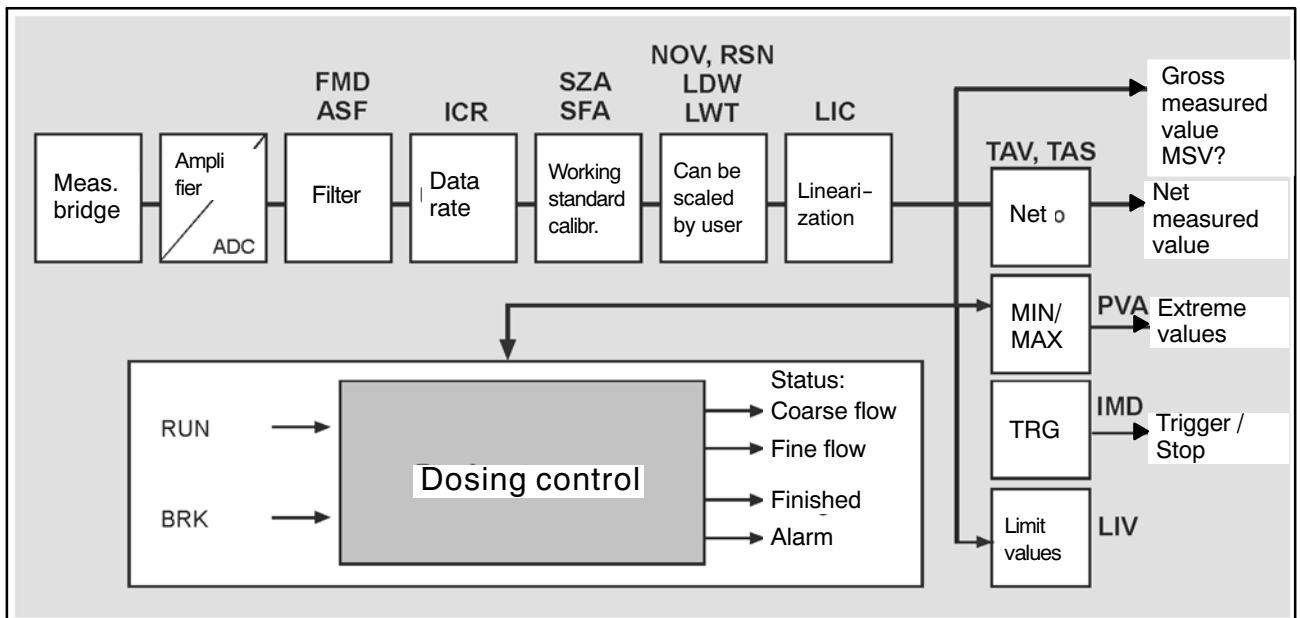


Fig. 5.2 Signal flow diagram

After amplification and A/D conversion, the signal is filtered by adjustable digital filters.

The commands **ASF**, **FMD** are used to set the cut-off frequency of the digital filter. The command **ICR** is used to change the output rate (measured values per second).

Users can set their own characteristic curve (commands **LDW**, **LWT**, **NOV**) without changing the working standard calibration. Gross/net selection is also available (**TAS** command). Command **ZSE** can be used to activate an automatic zero on start-up function. There is also an automatic zero tracking function (**ZTR**) available.

Command **LIC** is available for linearization of the scale curve (with a third order polynomial). The polynomial parameters can be set using the HBM PC program, AED_Panel32.

The current measured value is read out using the **MSV?** command. The format of the measured value (ASCII or binary) is set with the **COF** command. You can also use the **COF** command to select automatic measurement output.

Different types of digital filter are implemented in the PW15AHi, and these are selected with the **FMD** command. With **FMD0**, filters are also available below the 1 Hz limit frequency. In filter mode **FMD1**, fast-settling filters with high attenuation in the stopband are activated. For more detailed information, see the Online Help.

5.3 Trigger functions

The PW15AHi includes **four trigger functions** to support measurements in packaging machinery and checkweighers:

- Internal pre-triggering via an adjustable level
- External triggering via the digital control input (Pre-Trigger)
- Internal post-triggering via an adjustable level
- External triggering via the digital control input (Post-Trigger)

Gross or net measured values can be conditioned as measured values (**TAS**). The input mode should be set to **IMD1**.

The trigger function is described in the Online Help, Trigger Function Overview.

5.4 Limit value function

Four limit values are available in the PW15AHi, which are set via the **LIV** command. The status of the limit value functions can be read from the measurement status (**MSV?** or **RIO?**). You can choose between the gross value, the net value, the trigger result or the MIN/MAX extreme values as the input signal for limit value monitoring. The input mode should be set to **IMD0/1**. As these load cells do not have any digital outputs, the external Master control must make digital I/Os available. The PW15AHi generates the information to control these digital outputs in the respective measurement statuses (**MSV** measurement status, **RIO**). The Master control then only needs to forward these control bits to its digital outputs, in order to drive the limit value outputs. For more detailed information, see the Online Help, Limit Value Function.

5.5 Extreme value function

The PW15AHi includes a peak value function that can monitor either gross or net measured values, as required. Output of the two peak values (MIN and MAX) is implemented by the **PVA** command. The **CPV** command can be used at any time to clear the extreme values. The **PVS** command is used for activation.

For more detailed information, see the Online Help, Extreme Value Function.

5.6 Dosing and filling control

The PW15AHi includes dosing control. As this load cell does not have any digital outputs, the external Master control must make digital I/Os available. The PW15AHi generates the information to control these digital outputs in the respective measurement statuses (**MSV** measurement status, **RIO**). The Master control then only needs to forward these control bits to its digital outputs, in order to drive the valves of the dosing device.

The PW15AHi contains 32 parameter sets that are held in the EEPROM. The **RDP** command is used to select them. Dosing parameters can be changed while dosing is ongoing.

The filling and dosing function is activated by the command **IMD2**. In this case, the settings of the limit value function and the trigger function have no significance.

The dosing function can be found in the Online Help, Dosing Control Commands.

5.7 Diagnostic function

The PW15AHi has an integral diagnostic function for monitoring dynamic measuring processes. This function includes a memory for 512 (binary) measured values and associated status information. Different recording modes are available so that the processes can be analyzed without interrupting measurement.

The advantage of this diagnostic function is that the measured values are stored in real time (without loss of data) and then read out slowly (OFF-line). This means that it is possible to access this real-time data even at low communication rates.

The diagnostic function is accessed via the serial interface (UART with RS-485, CAN bus or DeviceNet = main communication channel). There is no separate hardware interface implemented for this.

The diagnostic function is explained in the Online Help, see description of commands for Diagnosis with PW15AHi.

6 Electrical connection

6.1 PW15AHi pin assignments



IMPORTANT

The PW15AHi must be operated with a supply voltage up to 30 V. Incorrect connections between the supply and the interface cables can cause irreversible damage.

Check the correct assignment of the connections before switching on for the first time.

Any HBM guarantee is rendered invalid for damage caused by incorrect connections.

The PW15AHi is fitted with an 8 pin connector socket.

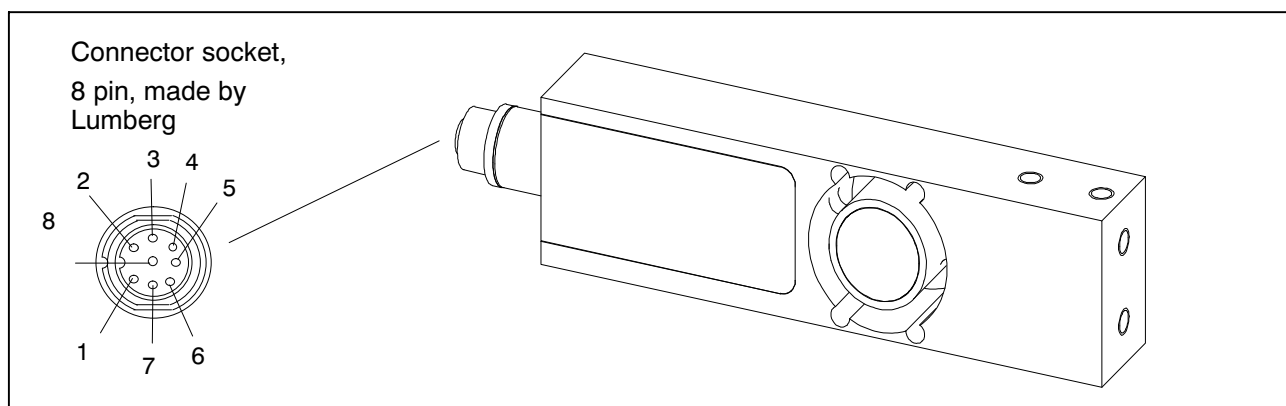


Fig. 6.1 Electrical connection

Terminal	RS-485	CANopen	DeviceNet	Color code for 1-Kab165-3 ¹⁾
1	GND	GND	GND	white
2	unassigned	unassigned	unassigned	brown
3	RA	CanH in	CanH in	green
4	Trigger / Stop Dosing	Trigger / Stop Dosing	Trigger / Stop Dosing	yellow
5	RB	CanL in	CanL in	gray
6	TB	CanL out	CanL out	pink
7	TA	CanH out	CanH out	blue
8	12...30 V	12...30 V	12...30 V	red

¹⁾ Cable 1-KAB165-3 is available as an accessory.

Take into account the relevant cable length restrictions for your bus system, which are dependent on the baud rate.



NOTES:

- The housing of the PW15AHi load cell is connected to the cable shield via the connector socket. To obtain an EMC-compliant connection (EMC = electromagnetic compatibility), the shield of this cable must be connected to the housing of the connected device or to ground potential. The shield must be connected directly and with low impedance (e.g. with EMC-compliant PG bushings).
- Use shielded, low-capacitance cables only for all connections (interfaces, supply and auxiliary equipment) – (HBM measurement cables fulfill these requirements).
- Electrical and magnetic fields often induce interference voltages in the measurement electronics. Do not route the measurement cables parallel to power lines and control circuits. If this is not possible, protect the measurement cable (with steel conduits, for example). Avoid stray fields from transformers, motors and contact switches.
- Should it be necessary, a separate cable can be used to establish potential equalization between the PW15AHi and the (PC/PLC) master (grounding concept). The cable shielding must not be used for this potential equalization.

6.2 Supply voltage

Regulated dc voltage of +12 to +30 V is required to operate the measurement electronics and serial communication.

Voltage source requirements:

- The supply voltage must be sufficiently smoothed (effective value minus residual ripple > 12 V).
- The PW15AHi electronics have a low-loss control with a power consumption of 1.5 W during operation. The current consumption is therefore dependent on the level of the supply voltage:

$$\text{Power requirement} \quad f[A] = \frac{1.5 \text{ W}}{\text{Voltage [V]}}$$

- When switched on, the electronics briefly consume a current of approx. 0.15 A. To ensure a safe start-up, the power supply must be able to provide this current without a limit being triggered. It is particularly important to take this into consideration when supplying several PW15AHi load cells from a single power supply unit. In contrast, the sustained loading is calculated from the formula shown above.

- Connection to a wide-ranging supply network is not permitted as this often causes interfering voltage peaks to be coupled into the transducer. Instead, a local supply must be provided for the PW15AHi load cells (even when grouped).
- The supply voltage must be insulated from the shield potential. A connection from GND to the housing is not required, but the potential difference must be max. 10 V.
Should it be necessary, a separate cable can be used to establish potential equalization between the PW15AHi and the (PC/PLC) master (grounding concept). The cable shielding must not be used for this potential equalization.
- The power supply ground wire (GND) is also used as the reference potential for the interface signals and the control input.
- In layouts with several transducers, the supply can be laid together with the RS-485 bus lines in a 6-pin cable (with HBM junction boxes, for example). Ensure that an adequate wire cross-section is provided, as some cable sections will conduct the supply current for all the connected PW15AHi load cells.

7 Interfaces



IMPORTANT

The PW15AHi interface driver relates to GND. The Master interface driver must also relate to this GND.

A shielded cable must be used as the bus cable. The shield should always be connected to the housing at both ends. The shield of the PW15AHi cable is electrically connected to the measuring body (see PW15AHi pin assignments).

Should it be necessary, a separate cable can be used to establish potential equalization between the PW15AHi and the (PC/PLC) master (grounding concept). The cable shielding must not be used for this potential equalization.

Before installing **several** PW15AHi into an installation with a bus system, take the following into account:

The printed production number (typeplate) is required for setting up data communication. If the typeplate can no longer be seen after installation, the numbers of each PW15AHi should be noted beforehand. This enables different addresses to be assigned during the initial start-up.

Alternatively, **before** connection to the bus system, you can connect each PW15AHi individually with a PC, in order to set different addresses (see **ADR** command, Online Help).

7.1 RS-485 4-wire interfaces (UART)

PW15AHi load cells are supplied with an RS-485 interface. Baud rates of 1200 ... 115200 baud can be set for the interface. The power supply ground (GND) of the PW15AHi load cell is used as the reference ground for all the interface signals.

A single PW15AHi load cell can be connected via the RS-485 interface, or you can set up a bus system to connect several PW15AHi load cells to an RS-485 interface. All transducers on a line are switched in parallel and are differentiated by the software assigning different addresses. If the control computer has an RS-232 interface, an interface converter is required (e.g. from HBM, Order No.: 1-SC232/422B). The correct assignment of the transmit and receive lines can be seen in Fig. 7.1 (bus line Ra to Ta of the converter, etc.). The HBM converter and the PW15AHi both already contain bus termination resistors. So additional bus termination resistors for RS-485 are **not** required. Up to 32 PW15AHi can be connected to one bus.

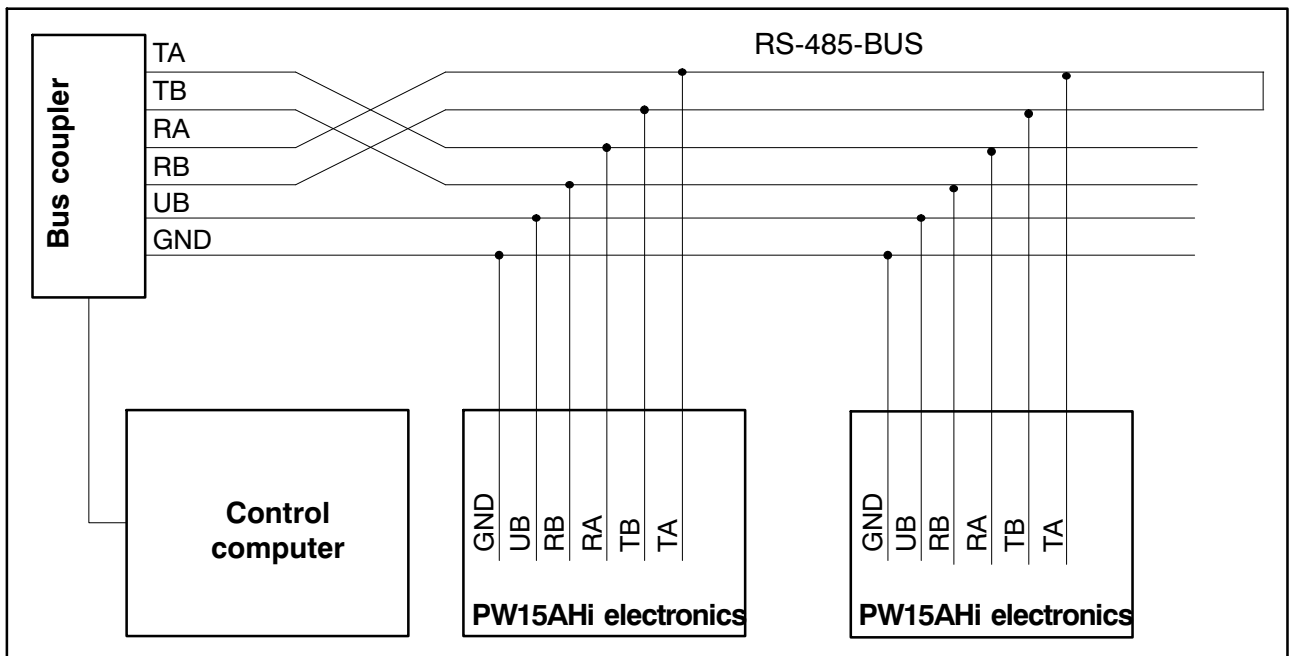


Fig. 7.1 Connection of several PW15AHi to a computer via an RS-485 4-wire bus

7.2 CANopen interface

The interface is set up using the CANopen standard CiA DS301

Bus configuration

The CAN bus is configured as a 2-wire circuit (CanH and CanL) (see ISO11898). It is **essential** for bus termination resistors (each 120 Ω) to be connected at the start and end of the bus. The PW15AHi does not contain a bus termination resistor. The bus wiring structure was chosen to minimize the length of the stub lines.

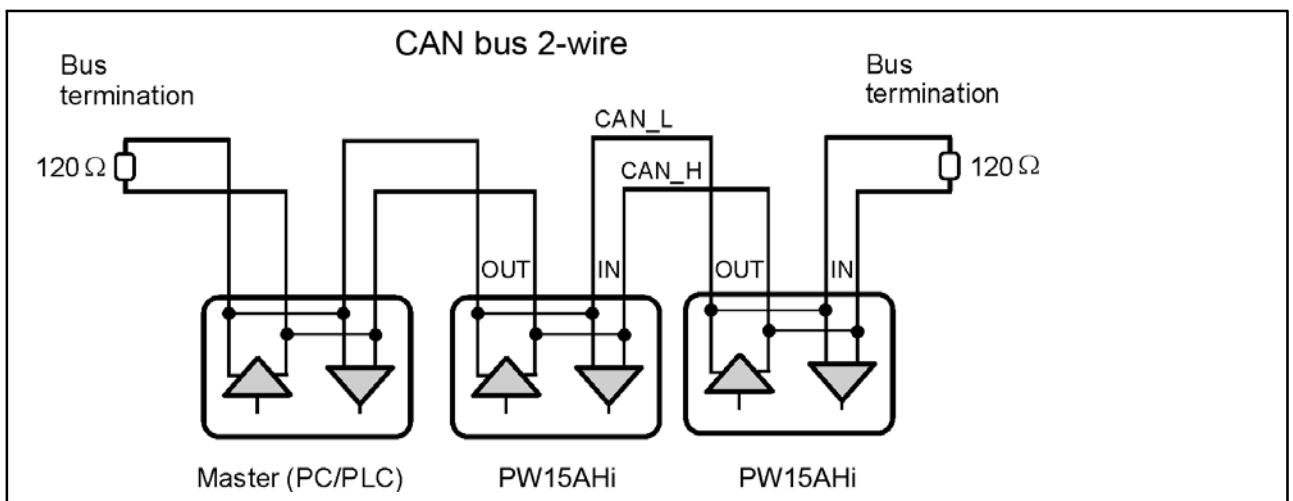


Fig. 7.2 CAN bus wiring



IMPORTANT

The PW15AHi CAN bus driver relates to GND. The Master CAN bus driver must also relate to this GND.

Baud rate and bus cable lengths

The table below gives the maximum cable lengths for the CANopen bus, subject to the baud rate:

Baud rate [kBits/s]	10	20	50	125	250	500	800	1000
Max. cable length [m]	5000	2500	1000	500	250	100	50	25

The max. cable length is the total line length, calculated from the length of all the stub lines per node (bus nodes) and the line length between the nodes. The length of the spur lines per node is limited and depends on the baud rate being used (see secondary CAN bus documentation: *CiA DS102 V2.0*). When using the PW15AHi's CAN wiring with CAN_In and CAN_Out lines, the length of the stub line to the PW15AHi is equal to zero. If only one connection pair (CAN_In or CAN_Out) is used, the cable length of the PW15AHi counts as the stub line.

Setting the address

The address is set via the bus:

CAN bus: 1...127 (default on delivery: 63)

Setting the bit rate

The bit rate is set with the fieldbus configuration tool via the bus; the factory setting is 125 Kbits.

CANopen communication is explained in the Online Help, CANopen Communication description.

7.3 DeviceNet interface

The interface is designed to the DeviceNet specification Release 2.0 ODVA.

Bus configuration

The DeviceNet bus is configured as a 2-wire CAN bus (CanH and CanL) (see ISO11898). It is **essential for bus termination resistors (each 120 Ω) to be connected at the start and end of the bus**. The PW15AHi does not contain a bus termination resistor (line termination). The bus wiring structure was chosen to minimize the length of the stub lines.

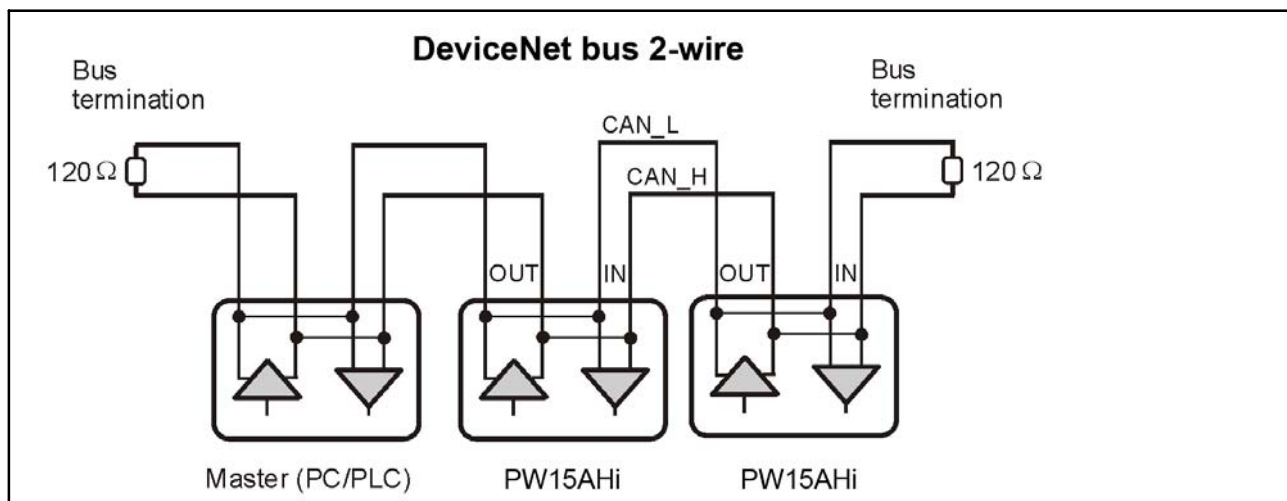


Fig. 7.3 DeviceNet bus wiring



IMPORTANT

The PW15AHi CAN bus driver relates to GND. The Master CAN bus driver must also relate to this GND.

Baud rate and bus cable lengths

The table below gives the maximum cable lengths for the DeviceNet bus, subject to the baud rate:

Baud rate [kBits/s]	125	250	500
Max. cable length [m]	500	250	100

The max. cable length is the total line length, calculated from the length of all the stub lines per node (bus nodes) and the line length between the nodes. The length of the stub lines per node is limited, and depends on the baud rate being used (see additional DeviceNet documentation: *DeviceNet Specification Volume 1, Appendix B, cable profiles*). When using the PW15AHi's CAN wiring with CAN_In and CAN_Out lines, the length of the stub line to the PW15AHi is equal to zero. If only one connection pair (CAN_In or CAN_Out) is used, the cable length of the PW15AHi counts as the stub line.

Setting the address

The address is set via the bus:

DeviceNet: 1...63 (default on delivery: 63)

Setting the bit rate

The bit rate is set with the fieldbus configuration tool via the bus; the factory setting is 125 Kbits.

DeviceNet communication is explained in the Online Help, DeviceNet Communication description.

7.4 Digital control input

The control signal must be applied between the input and GND. The input can be directly actuated by a logic signal (HCMOS), but tolerates voltages up to 24 V.

The input can be assigned to various functions using the **IMD** software command:

IMD0 The input status does not affect the measuring process, but must be queried by the **POR?** command. In this way, any digital signals (e.g. from limit switches) can be acquired by the control software without needing to install additional lines and I/O modules.

IMD1 The input acts as a trigger input for trigger functions with an external trigger (trigger function, e.g. for checkweighers).

IMD2 The input acts as a stop input for the dosing function.

Input	IMD0;	IMD1;	IMD2;
IN1	Query via POR?	External trigger input	Stop dosing (BRK)

Signal form

The trigger function responds to the rising edge of a switching pulse.

Function	Control input
Quiescent level	Defined high or low level
Triggering event	Low-high transition

The differences between the various inputs must be taken into consideration for the electrical data:

Characteristic	Control input
Reference potential	GND
Low level	0...1 V
High level	4 ... 24 V
Input resistance	> 10 k Ω

8 Specifications

Type		PW15AHi		
Accuracy class per OIML R60		C3		
Nominal load (E_{\max})	kg	10	20	50
Minimum scale division (v_{\min})	g	1	2	5
Minimum utilization range for 3000 d	kg	3	6	15
Max. platform size	mm	L500 · B400		
Number of load cell verification intervals (n_{LC})		3000		
Error fraction (p_{LC})		1		
Temperature coefficient of sensitivity (TK_C) ¹⁾²⁾	% of $C_n/10K$	± 0.0250		
Temperature coefficient of zero signal (TK_{SO}) ²⁾		± 0.0200		
Relative reversibility error (d_{hy}) ¹⁾²⁾	% of C_n	± 0.0166		
Non-linearity (d_{lin}) ¹⁾²⁾		± 0.0166		
Creep upon loading (d_{CR}) over 30 min		± 0.0166		
Off-center load deviation per OIML R76		± 0.0233		
Service load (E_U) at max. 120 mm eccentricity	% of E_{\max}	150		
Limit load (E_L) at max. 20 mm eccentricity		300		
Relative perm. vibrational stress (F_{srel}) at max. 50 mm eccentricity		70		
Nominal (rated) displacement (s_{nom})	mm	< 0.2		
Voltage supply:				
Operating voltage UB1 (DC)	V	+ 12 ... +30		
Power consumption	W	≤ 1.5		
Start-up current	A	0.15		
Measurement signal resolution (1 Hz filter)	Bit 1/s	20 4 ... 1200		
Data rate		80 ... 0.0625		
Adjustable digital filter cut-off frequency	Hz Baud	1200; 2400; 4800; 9600; 19200; 38400; 57600; 115200		
Baud rate (RS-485 interface)		32		
Max. number of bus nodes				
CANopen interface		Standard CiA DS301		
Baud rate	Baud	10,000 ... 1.000,000		
DeviceNet interface		Release 2.0 ODVA		
Baud rate	Baud	125,000 ... 500,000		
Max. cable length (CANopen, DeviceNet)	m	≤ 5000 (10 kBaud) ... ≤ 100 (500 kBaud), ≤ 25 (1 MBaud)		
Asynchronous serial interface				
RS-485, 4-wire, max. cable length	m	500		

Trigger input		
Permissible input voltage	V	0 ... +20
Low level	V	< 1
High level	V	> 4
Input resistance	kΩ	10
Nominal (rated) ambient temperature range	°C	- 10 ... + 40
Operating temperature range	°C	- 10 ... + 50
Storage temperature range	°C	- 25 ... + 75
EMC requirements		EN 45501, OIML R76 EN 61326-1/Tab. 4, Class B equipment EN 61326/A1, Tab. A1, equipment in industrial sectors
Degree of protection per EN 60529		IP 68
Electrical connection		Device socket, made by Lumberg, 8 pin
Material		Steel
Weight, approx.	kg	1

- 1) Max. eccentric loading as per OIML R76
- 2) Values can be exceeded in individual cases. The resulting characteristic curve deviation from T_{KC} , but non-linearity and relative reversibility error still lie within the error limits per OIML R 60 with $pp_{LC}=1$.
- 3) All relative error data relate to the output signal at max. capacity.

Inhalt	Seite
Sicherheitshinweise	26
1 Anwendung	28
2 Charakteristische Merkmale	29
3 Kennzeichnung und Varianten	29
4 Mechanischer Aufbau und Montagehinweise	30
4.1 Bauform PW15AHi	30
4.2 Vor Inbetriebnahme	30
4.3 Montagehinweise	31
5 Elektrischer Aufbau und Funktion	32
5.1 Funktion	32
5.2 Signalverarbeitung	33
5.3 Triggerfunktionen	34
5.4 Grenzwertfunktion	35
5.5 Extremwertfunktion	35
5.6 Dosier- und Abfüllsteuerung	35
5.7 Diagnosefunktion	36
6 Elektrischer Anschluss	37
6.1 Anschlussbelegungen PW15AHi	37
6.2 Versorgungsspannung	38
7 Schnittstellen	40
7.1 RS-485-4-Leiter-Schnittstellen (UART)	40
7.2 CANopen-Schnittstelle	41
7.3 DeviceNet-Schnittstelle	42
7.4 Digitaler Steuereingang	44
8 Technische Daten	45

Sicherheitshinweise

Das Gerät darf ohne unsere ausdrückliche Zustimmung weder konstruktiv noch sicherheitstechnisch verändert werden. Jede Veränderung schließt eine Haftung unsererseits für daraus resultierende Schäden aus.

Insbesondere sind jegliche Reparaturen untersagt. Reparaturen dürfen nur von HBM durchgeführt werden.

Die komplette Werkseinstellung wird im Werk netzausfallsicher und nicht lösch- oder überschreibbar gespeichert und kann mit dem Befehl **TDD0** jederzeit wieder eingestellt werden.

Die im Werk eingestellte Fertigungsnummer kann nicht verändert werden.

- PW15AHi-Wägezellen sind ausschließlich für wägetechnische Messaufgaben und direkt damit verbundene Steuerungs- und Regelaufgaben zu verwenden. Jeder darüber hinausgehende Gebrauch gilt als nicht bestimmungsgemäß.
- Im Normalfall gehen von diesem Produkt keine Gefahren aus, sofern die Hinweise und Anleitungen für Projektierung, Montage, bestimmungsgemäßen Betrieb und Instandhaltung beachtet werden.
- Die für die jeweilige Anwendung geltenden Sicherheits- und Unfallverhütungsvorschriften sind unbedingt zu beachten.
- Montage und Inbetriebnahme darf ausschließlich durch qualifiziertes Personal vorgenommen werden.
- Treffen Sie bei der Montage und beim Anschluss der Leitungen Maßnahmen gegen elektrostatische Entladungen, die die Elektronik beschädigen können.
- Zur Stromversorgung ist eine Kleinspannung (12 ... 30 V) mit sicherer Trennung vom Netz erforderlich (siehe Technische Daten).
- Beim Anschluss von Zusatzeinrichtungen sind die entsprechenden Sicherheitsbestimmungen einzuhalten.
- Für alle Verbindungen sind geschirmte Leitungen zu verwenden. Der Schirm ist beidseitig flächig mit Masse zu verbinden.

Weitere Hinweise entnehmen Sie bitte der Online-Hilfe auf der 1-FIT-AED-DOC (System-CD).


In dieser Montageanleitung wird auf Restgefahren mit folgenden Symbolen hingewiesen:

Symbol:  **ACHTUNG**


Bedeutung: Möglicherweise gefährliche Situation

Weist auf eine mögliche gefährliche Situation hin, die - wenn die Sicherheitsbestimmungen nicht beachtet werden - Sachschaden, leichte oder mittlere Körperverletzung zur Folge **haben könnte**.

Symbole für Anwendungshinweise und nützliche Informationen:


Symbol:  **HINWEIS**

Weist darauf hin, dass wichtige Informationen über das Produkt oder über die Handhabung des Produktes gegeben werden.

Symbol: 

Bedeutung: CE-Kennzeichnung

Mit der CE-Kennzeichnung garantiert der Hersteller, dass sein Produkt den Anforderungen der relevanten EG-Richtlinien entspricht (die Konformitätserklärung finden Sie unter <http://www.hbm.com/HBMdoc>).

Symbol: 

Bedeutung: Gesetzlich vorgeschriebene Kennzeichnung zur Entsorgung

Nicht mehr gebrauchsfähige Altgeräte sind gemäß den nationalen und örtlichen Vorschriften für Umweltschutz und Rohstoffrückgewinnung getrennt von regulärem Hausmüll zu entsorgen.

Falls Sie weitere Informationen zur Entsorgung benötigen, wenden Sie sich bitte an die örtlichen Behörden oder an den Händler, bei dem Sie das Produkt erworben haben.

1 Anwendung

Die Wägezellen PW15AHi gehören zur Familie der von HBM speziell für schnelle dynamische Wägeprozesse entwickelten digitalen Wägezellen und Messketten. Sie erfassen Messsignale auf der Basis von Dehnungsmessstreifen, bereiten diese digital auf, geben sie aus und können sie auf Wunsch busfähig vernetzen.

Sie liefern ein komplett gefiltertes, skaliertes und digitalisiertes Ausgangssignal zum direkten Anschluss an Bussysteme oder PCs. Sie arbeiten mit einer hohen Messrate von bis zu 1200 Messungen pro Sekunde und lassen sich über einstellbare Parameter einfach und schnell an das jeweilige Wägesystem anpassen.

Die eingebaute Triggerfunktion ermöglicht eine ereignisgesteuerte Gewichtsbildung, die z. B. bei Checkweiger-Anwendungen den externen Softwareaufwand erheblich reduziert.

Die PW15AHi enthält eine Dosiersteuerung. Da diese Wägezelle keine digitalen Ausgänge besitzt, muss die externe Mastersteuerung die digitalen I/O zur Verfügung stellen. Die Informationen zur Steuerung dieser digitalen Ausgänge generiert die PW15AHi in den jeweiligen Messwertstatus (**MSV**-Messwertstatus). Diese Steuerbits braucht die Mastersteuerung dann nur noch an ihre digitalen Ausgänge weiterzuleiten um damit die Ventile der Dosiersteuerung anzusteuern.

Wahlweise wird die Wägezelle mit den Schnittstelle RS-485, CANopen oder DeviceNet ausgeliefert.

PW15AHi-Wägezellen sind in nichtrostendem Stahl ausgeführt und besitzen die hohe Schutzart (IP 68).

Zur einfachen Einstellung aller Parameter, zur Darstellung dynamischer Messsignale und zur umfassenden Frequenzanalyse des dynamischen Systems steht die PC-Software *AED_Panel 32* zur Verfügung.

Dieser Teil der Bedienungsanleitung beschreibt die Hardware und die Funktionen der Digitalen Wägezelle PW15AHi. Die Befehle für die serielle Kommunikation sind in der Online-Dokumentation beschrieben (= AD103C-Befehle).

2 Charakteristische Merkmale

- schnelle digitale Filterung und Skalierung des Messsignals
- serielle Schnittstellen: RS-485-4-Draht, CANopen, DeviceNet
- alle Einstellungen erfolgen über die serielle Schnittstelle
- netzausfallsichere Speicherung der Parameter möglich
- unzerstörbar gespeicherte Werkseinstellung
- Wahl der Ausgabegeschwindigkeit der Messwerte bis zu 1200 Messwerte/s
- vier Grenzwertfunktionen
- Extremwertfunktionen (MIN/MAX)
- vier Triggerfunktionen (interne Pegeltriggerung, externe Triggerung)
- Dosiersteuerung
- Diagnosefunktionen
- Versorgungsspannung 12 V ... 30 V_{DC}
- Schutzart IP 68

3 Kennzeichnung und Varianten

Die PW15AHi kann mit drei unterschiedlichen Interface-Arten geliefert werden. Die Genauigkeitsklasse ist C3 (OIML).

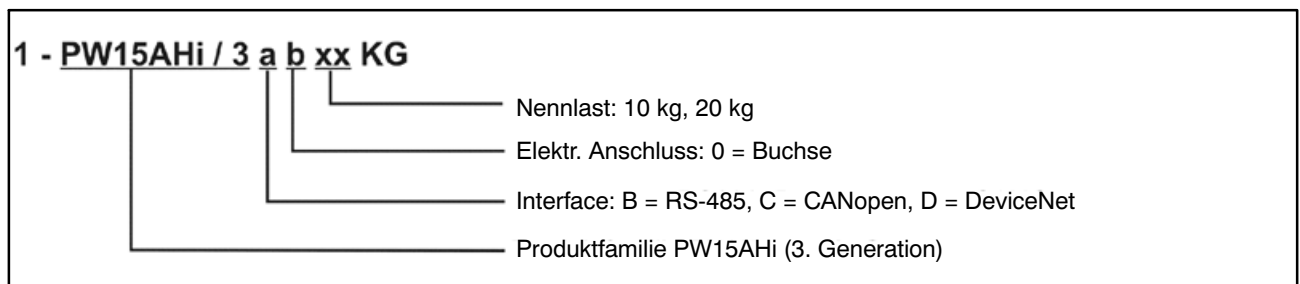


Abb. 3.1 PW15AHi Bestellbezeichnung, Erklärungen: RS-485 = RS-485 4-Draht-Bus

Die folgenden Vorzugstypen sind definiert (andere Varianten auf Anfrage):

Nennlast	Schnittstellen		
	RS-485	CANopen	DeviceNet
10 kg	1-PW15AHi/3B0/10kg	1-PW15AHi/3C0/10kg	1-PW15AHi/3D0/10kg
20 kg	1-PW15AHi/3B0/20kg	1-PW15AHi/3C0/20kg	1-PW15AHi/3D0/20kg
50 kg	1-PW15AHi/3B0/50kg	1-PW15AHi/3C0/50kg	1-PW15AHi/3D0/50kg

4.3 Montagehinweise

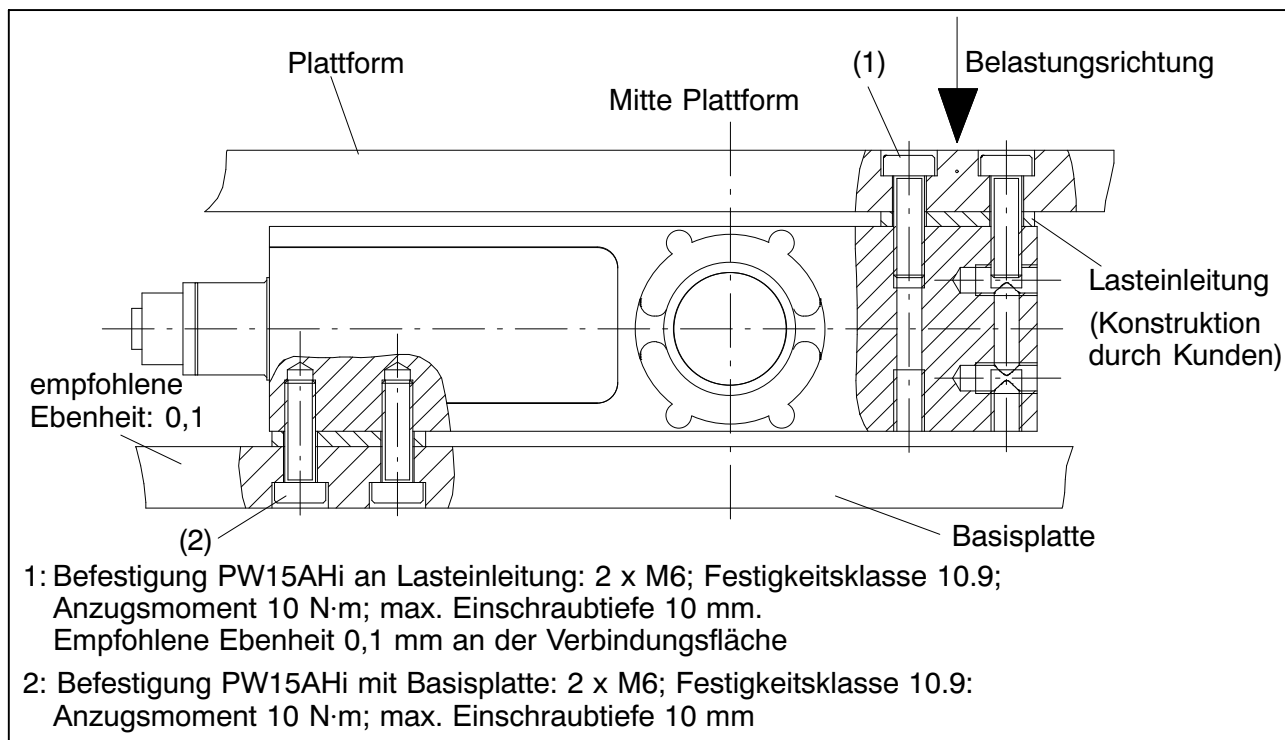


Abb. 4.2 Montagehinweise PW15AHi

Die Wägezelle PW15AHi sollte auf einer sauberen Fläche mit einer Ebenheit von besser als 0,1 mm montiert werden. Eine Überlastsicherung ist in Form einer Feingewindeschraube M6x0.5 integrierbar.

Es wird empfohlen, die Lasteinleitung in der Mitte der Plattform vorzusehen, um Eckenlastfehler und Momente zu minimieren.

Beachten Sie vor dem Einbau **mehrerer** PW15AHi in eine Anlage mit Bussystem:

Die aufgedruckte Fertigungsnummer (Typenschild) wird für die Einrichtung der Datenkommunikation benötigt. Falls das Typenschild nach dem Einbau nicht mehr zugänglich ist, sollten Sie die Nummern aller PW15AHi notieren. Damit ist eine Zuteilung verschiedener Adressen bei der ersten Inbetriebnahme möglich.

Alternativ können Sie **vor** Anschluss an das Bussystem jede PW15AHi einzeln mit einem PC verbinden, um unterschiedliche Adressen einzustellen (siehe ADR-Befehl, Online-Hilfe).

5 Elektrischer Aufbau und Funktion

Die Elektronik der digitalen Wägezelle PW15AHi besteht im Wesentlichen aus folgenden Funktionsgruppen:

- Plattformwägezelle
- Verstärker
- Analog-Digital-Umsetzer (A/D)
- Auswerteeinheit (μP)
- netzausfallsicherer Parameter-Speicher (EEPROM)
- serielle Schnittstelle (RS-485, CANopen oder DeviceNet)
- Steuereingang IN1 (Trigger/Stopp Dosieren)

5.1 Funktion

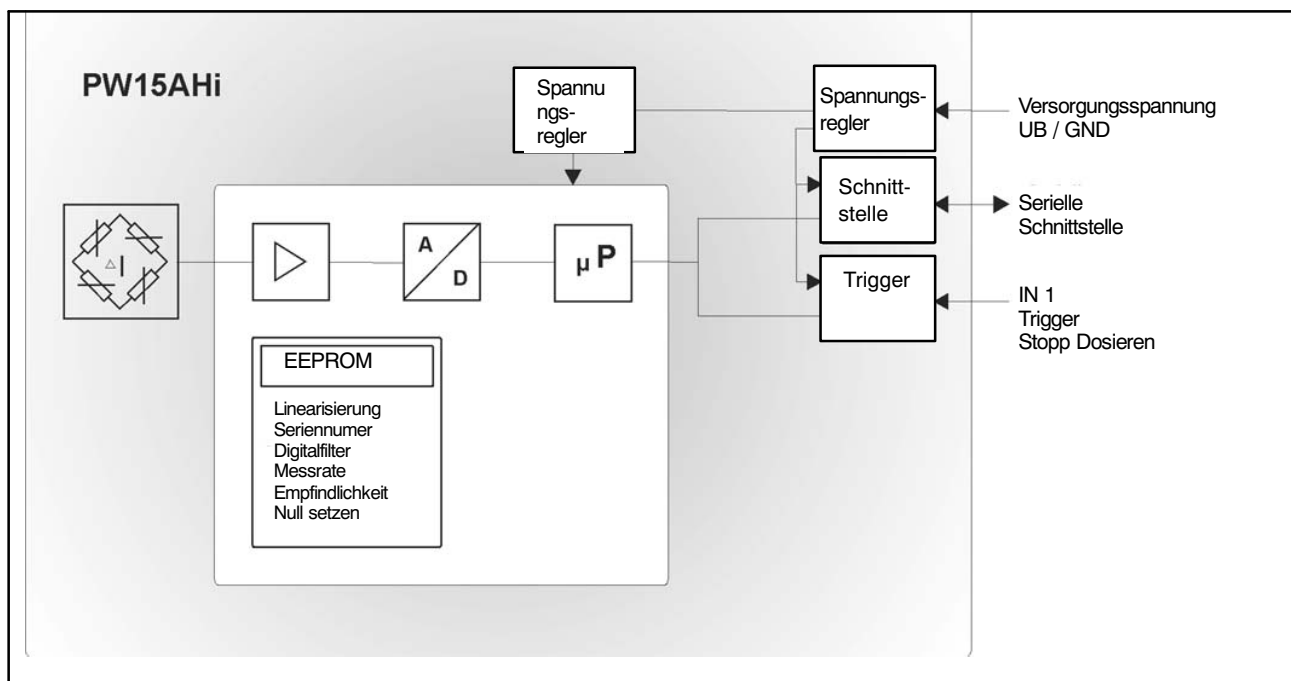


Abb. 5.1 Blockschaubild

Das analoge Aufnehmersignal wird zunächst verstärkt, gefiltert und im Analog-Digital-Umsetzer in einen Digitalwert umgewandelt. Das digitalisierte Messsignal wird im Mikroprozessor verarbeitet und über die serielle Schnittstelle weitergeleitet. Alle Parameter können netzausfallsicher im EEPROM gespeichert werden.

Die PW15AHi-Wägezelle wird im Werk mit Nulllast und Nennlast justiert. Aus diesen Messwerten ermittelt die Elektronik eine Werkskennlinie und bildet die später folgenden Messwerte über diese Kennlinie ab. Je nach Ausgabeformat (**COF**) werden folgende Messwerte geliefert:

Ausgabeformat	Eingangssignal	Messwerte bei NOV = 0	Messwerte bei NOV > 0
Binär 2 Zeichen (Integer)	0 ... Nennlast	0 ... 20 000 Digit	0 ... NOV
Binär 4 Zeichen (Long Integer)	0 ... Nennlast	0 ... 5 120 000 Digit	0 ... NOV
ASCII	0 ... Nennlast	0 ... 1 000 000 Digit ¹⁾	0 ... NOV

¹⁾ Auslieferungszustand

Sie haben die Möglichkeit, mit dem Parameterpaar **LDW** und **LWT** die Kennlinie ihren Anforderungen (Waagenkennlinie) entsprechend anzupassen und die Messwerte über den Befehl **NOV** auf den gewünschten Skalierungswert (z. B. 3000 d) zu normieren. Detaillierte Angaben finden Sie in der Online-Hilfe.

5.2 Signalverarbeitung

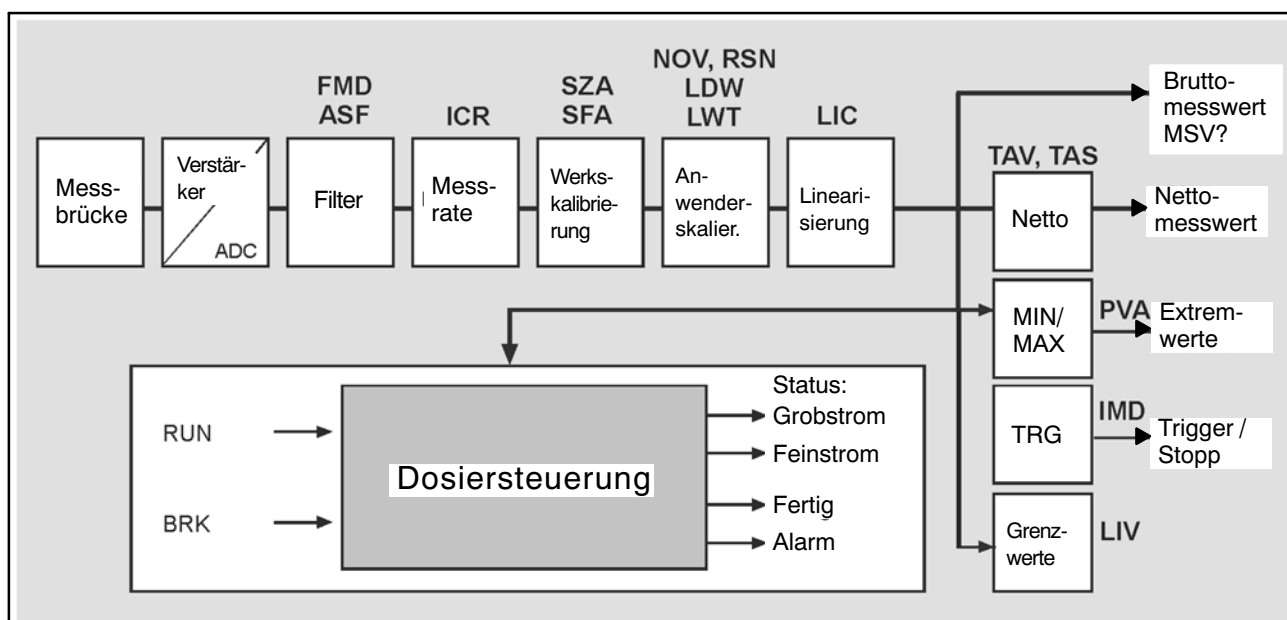


Abb. 5.2 Signalflussplan

Nach Verstärkung und AD-Umsetzung erfolgt die Filterung durch einstellbare Digitalfilter.

Mit den Befehlen **ASF**, **FMD** wird die Grenzfrequenz der Digitalfilter eingestellt. Mit dem Befehl **ICR** kann die Ausgaberate (Messwerte pro Sekunde) verändert werden.

Der Anwender kann eine eigene Kennlinie einstellen (Befehle **LDW**, **LWT**, **NOV**), ohne die Werkskalibrierung zu verändern. Zusätzlich steht eine Brutto/Netto-Umschaltung zur Verfügung (Befehl **TAS**). Mit dem Befehl **ZSE** kann eine automatische Einschalt-Null-Funktion aktiviert werden. Ebenso ist eine automatische Zerotracking-Funktion (**ZTR**) vorhanden.

Für eine Linearisierung der Waagenkennlinie steht der Befehl (**LIC**) zur Verfügung (mit einem Polynom 3. Ordnung). Die Polynomparameter können über das HBM-PC-Programm AED_Panel32 bestimmt werden.

Der aktuelle Messwert wird über den Befehl **MSV?** ausgelesen. Das Format des Messwertes (ASCII oder binär) wird über den Befehl **COF** eingestellt. Eine automatische Messwertausgabe ist ebenfalls über den Befehl **COF** wählbar.

In der PW15AHi sind unterschiedliche Typen von Digitalfiltern realisiert, die über den Befehl **FMD** umgeschaltet werden. Bei **FMD0** sind Filter auch unter 1-Hz-Grenzfrequenz verfügbar. Im Filtermode **FMD1** werden schnell einschwingende Filter mit hoher Dämpfung im Sperrbereich aktiviert. Detaillierte Angaben finden Sie in der Online-Hilfe.

5.3 Triggerfunktionen

Die PW15AHi enthält für die Unterstützung von Messungen in Verpackungsmaschinen und Checkweighern **vier Triggerfunktionen**:

- Interne Pre-Triggerung über einen einstellbaren Pegel
- Externe Triggerung über den digitalen Steuereingang (Pre-Trigger)
- Interne Post-Triggerung über einen einstellbaren Pegel
- Externe Triggerung über den digitalen Steuereingang (Post-Trigger)

Als Messwerte können Brutto- oder Nettomesswerte verarbeitet werden (**TAS**). Der Eingangsmode sollte auf **IMD1** eingestellt sein.

Die Triggerfunktion wird in der Online-Hilfe, Übersicht Triggerfunktion, beschrieben.

5.4 Grenzwertfunktion

In der PW15AHi sind vier Grenzwerte vorhanden, die über den Befehl **LIV** eingestellt werden. Der Status der Grenzwertfunktionen ist aus dem Messwertstatus auslesbar (**MSV?** oder **RIO?**). Als Eingangssignal für die Grenzwertüberwachung können wahlweise der Bruttowert, der Nettowert, das Triggerergebnis oder die Extremwerte MIN/MAX verwendet werden. Der Eingangsmode sollte auf **IMD0/1** eingestellt sein.

Da diese Wägezellen keine digitalen Ausgänge besitzen, muss die externe Mastersteuerung die digitalen I/O zur Verfügung stellen. Die Informationen zur Steuerung dieser digitalen Ausgänge generiert die PW15AHi in den jeweiligen Messwertstatus (**MSV**-Messwertstatus, **RIO**). Diese Steuerbits braucht die Mastersteuerung dann nur noch an ihre digitalen Ausgänge weiterzuleiten, um damit Grenzwertausgänge anzusteuern.

Detaillierte Angaben finden Sie in der Online-Hilfe, Grenzwertfunktion.

5.5 Extremwertfunktion

Die PW15AHi enthält eine Spitzenwertfunktion, die wahlweise Brutto- oder Nettomesswerte überwachen kann. Die Ausgabe der beiden Spitzenwerte (MIN und MAX) wird über den Befehl **PVA** realisiert. Über den Befehl **CPV** können die Extremwerte zu jeder Zeit gelöscht werden. Die Aktivierung erfolgt über den Befehl **PVS**.

Detaillierte Angaben finden Sie in der Online-Hilfe, Extremwertfunktion.

5.6 Dosier- und Abfüllsteuerung

Die PW15AHi enthält eine Dosiersteuerung. Da diese Wägezelle keine digitalen Ausgänge besitzt, muss die externe Mastersteuerung die digitalen I/O zur Verfügung stellen. Die Informationen zur Steuerung dieser digitalen Ausgänge generiert die PW15AHi in den jeweiligen Messwertstatus (**MSV**-Messwertstatus, **RIO**). Diese Steuerbits braucht die Mastersteuerung dann nur noch an ihre digitalen Ausgänge weiterzuleiten, um damit die Ventile der Dosiervorrichtung anzusteuern.

Die PW15AHi enthält 32 Parametersätze, die im EEPROM gespeichert sind. Die Auswahl erfolgt über den Befehl **RDP**. Während des Dosierens ist die Änderung von Dosierparametern erlaubt.

Die Abfüll- bzw. Dosierfunktion wird über den Befehl **IMD2** aktiviert. In diesem Fall sind die Einstellungen der Grenzwertfunktion sowie die Triggerfunktion ohne Bedeutung.

Die Dosierfunktion finden Sie in der Online-Hilfe, Befehle zur Dosiersteuerung.

5.7 Diagnosefunktion

Für die Überwachung der dynamischen Messvorgänge ist in der PW15AHi eine Diagnosefunktion eingebaut. Diese Funktion enthält einen Speicher für 512 Messwerte (binär) und die zugehörigen Statusinformationen. Unterschiedliche Aufzeichnungsmodi erlauben eine Analyse der Vorgänge ohne eine Unterbrechung des Messvorganges.

Der Vorteil der Diagnosefunktion besteht darin, dass die Messwerte in Echtzeit gespeichert werden (ohne Datenverluste) und anschließend langsam ausgelesen werden (OFF-line). Damit ist auch bei niedrigen Kommunikationsraten ein Zugriff auf diese Echtzeitdaten möglich.

Auf die Diagnosefunktion wird über die serielle Schnittstelle zugegriffen (UART mit RS-485, CAN-Bus oder DeviceNet = Haupt-Kommunikationskanal). Eine gesonderte Hardware-Schnittstelle ist dafür nicht implementiert.

Die Diagnosefunktion wird in der Online-Hilfe erklärt, siehe Beschreibung der Befehle für die Diagnose mit der PW15AHi.

6 Elektrischer Anschluss

6.1 Anschlussbelegungen PW15AHi



ACHTUNG

Die PW15AHi ist mit einer Versorgungsspannung bis 30 V zu betreiben. Unzulässige Verbindungen zwischen Versorgung und Schnittstellenleitungen können irreversible Schäden zur Folge haben.

Kontrollieren Sie vor dem ersten Einschalten die korrekte Zuordnung der Anschlüsse.

Im Falle einer Beschädigung durch falschen Anschluss ist eine Garantie durch HBM ausgeschlossen.

Die PW15AHi ist mit einer 8-poligen Anschlussbuchse versehen.

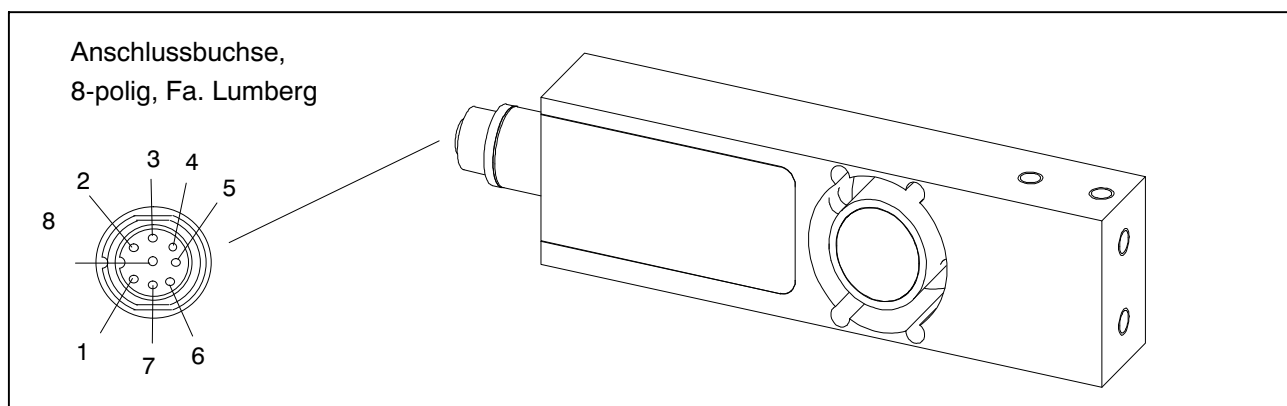


Abb. 6.1 Elektrischer Anschluss

Klemme	RS-485	CANopen	DeviceNet	Farbcode für 1-Kab165-3 ¹⁾
1	GND	GND	GND	weiß
2	frei	frei	frei	braun
3	RA	CanH in	CanH in	grün
4	Trigger / Stop Dosing	Trigger / Stop Dosing	Trigger / Stop Dosing	gelb
5	RB	CanL in	CanL in	grau
6	TB	CanL out	CanL out	rosa
7	TA	CanH out	CanH out	blau
8	12...30 V	12...30 V	12...30 V	rot

¹⁾ Das Kabel 1-KAB165-3 ist als Zubehör lieferbar.

Beachten Sie die für Ihr Bussystem zutreffenden Beschränkungen bei der Kabellänge, die von der Baudrate abhängig sind.



HINWEISE:

- Das Gehäuse der PW15AHi-Wägezellen ist über die Anschlussbuchse mit dem Kabelschirm zu verbunden. Für einen EMV-gerechten Anschluss (EMV = Elektro-Magnetische Verträglichkeit) muss der Schirm dieses Kabels mit dem Gehäuse des angeschlossenen Gerätes bzw. dem Erdpotential verbunden werden. Der Schirm ist direkt und niederohmig zu kontaktieren (z.B. durch EMV-gerechte PG-Durchführungen).
- Verwenden Sie für alle Verbindungen (Schnittstelle, Versorgung und Zusatzeinrichtungen) nur abgeschirmte, kapazitätsarme Kabel (Messkabel von HBM erfüllen diese Bedingungen).
- Elektrische und magnetische Felder verursachen oft eine Einkopplung von Störspannungen in die Messelektronik. Legen Sie die Messkabel nicht parallel zu Starkstrom- und Steuerleitungen. Falls das nicht möglich ist, schützen Sie das Messkabel (z.B. durch Stahlpanzerrohre). Meiden Sie Streufelder von Trafos, Motoren und Schützen.
- Falls die Notwendigkeit besteht, sollte über eine gesonderte Leitung der Potentialausgleich zwischen der PW15AHi und dem Master (PC/SPS) hergestellt werden (Erdungskonzept). Für diesen Potentialausgleich darf der Leitungsschirm nicht verwendet werden.

6.2 Versorgungsspannung

Für den Betrieb der Messelektronik und der seriellen Kommunikation wird eine geregelte Gleichspannung von +12 ... +30 V benötigt.

Anforderungen an die Spannungsquelle:

- Die Versorgungsspannung muss ausreichend geglättet sein (Effektivwert abzgl. Restwelligkeit > 12 V).
- Die PW15AHi-Elektronik verfügt über einen verlustarmen Regler, der im Betrieb eine Leistung von 1,5 W aufnimmt. Die Stromaufnahme ist daher von der Höhe der Versorgungsspannung abhängig:

$$\text{Strombedarf}[A] = \frac{1,5 \text{ W}}{\text{Spannung}[V]}$$

- Die Elektronik nimmt im Einschaltmoment kurzzeitig einen Strom von ca. 0,15 A auf. Um einen sicheren Anlauf zu gewährleisten, muss die Versorgung diesen Strom bereitstellen können, ohne dass eine Begrenzung anspricht. Dies ist insbesondere bei der Versorgung mehrerer PW15AHi-Wägezellen durch ein einziges Netzteil zu beachten. Die Dauerbelastung ergibt sich dagegen aus der oben angegebenen Formel.

- Der Anschluss an ein weitläufiges Versorgungsnetz ist nicht zulässig, weil dadurch oft störende Spannungsspitzen auf die Aufnehmer eingekoppelt werden. Statt dessen ist eine lokale Versorgung für die PW15AHi-Wägezellen (auch mehrere gemeinsam) vorzusehen.
- Die Versorgungsspannung ist gegenüber dem Schirmpotential isoliert. Eine Verbindung von GND mit dem Gehäuse ist nicht erforderlich, die Potentialdifferenz darf jedoch maximal 10 V betragen.
Falls die Notwendigkeit besteht, sollte über eine gesonderte Leitung der Potentialausgleich zwischen der PW15AHi und dem Master (PC/SPS) hergestellt werden (Erdungskonzept). Für diesen Potentialausgleich darf der Leitungsschirm nicht verwendet werden.
- Der Masseleiter der Versorgung (GND) dient auch als Bezugspotential für die Schnittstellensignale und den Steuereingang.
- Bei Aufbauten mit mehreren Aufnehmern kann die Versorgung gemeinsam mit den RS-485-Busleitungen in einem 6-poligen Kabel verlegt werden (z.B. mit HBM-Klemmenkästen). Dabei ist auf einen ausreichenden Leiterquerschnitt zu achten, da einige Kabelabschnitte den Versorgungsstrom für alle angeschlossenen PW15AHi-Wägezellen führen.

7 Schnittstellen



ACHTUNG

Der Interface-Treiber der PW15AHi bezieht sich auf GND. Der Interface-Treiber des Masters muss sich auch auf diesen GND beziehen. Für das Buskabel ist eine geschirmte Leitung zu verwenden. Der Schirm sollte immer an beiden Enden mit dem Gehäuse verbunden sein. Der Schirm des PW15AHi-Kabels ist elektrisch mit dem Messkörper verbunden (siehe Anschlussbelegungen PW15AHi).

Falls die Notwendigkeit besteht, sollte über eine gesonderte Leitung der Potentialausgleich zwischen der PW15AHi und dem Master (PC/SPS) hergestellt werden (Erdungskonzept). Für diesen Potentialausgleich darf der Leitungsschirm nicht verwendet werden.

Beachten Sie vor dem Einbau **mehrerer** PW15AHi in eine Anlage mit Bussystem:

Die aufgedruckte Fertigungsnummer (Typenschild) wird für die Einrichtung der Datenkommunikation benötigt. Falls das Typenschild nach dem Einbau nicht mehr zugänglich ist, sollten Sie die Nummern aller PW15AHi notieren. Damit ist eine Zuteilung verschiedener Adressen bei der ersten Inbetriebnahme möglich.

Alternativ können Sie **vor** Anschluss an das Bussystem jede PW15AHi einzeln mit einem PC verbinden, um unterschiedliche Adressen einzustellen (siehe **ADR**-Befehl, Online-Hilfe).

7.1 RS-485-4-Leiter-Schnittstellen (UART)

Die PW15AHi-Wägezellen werden mit einer RS-485- Schnittstelle geliefert. Für die Schnittstelle sind Baudraten von 1200 ... 115200 Baud einstellbar. Als Bezugsmasse aller Schnittstellensignale wird die Versorgungsmasse der PW15AHi-Wägezelle verwendet (GND).

Über die RS-485-Schnittstelle kann eine einzelne PW15AHi-Wägezelle angeschlossen werden oder Sie können durch einen Aufbau als Bussystem mehrere PW15AHi-Wägezellen an eine RS-485-Schnittstelle anschließen. Dabei sind alle Aufnehmer an einer Leitung parallel geschaltet und werden per Software durch Zuteilung verschiedener Adressen unterschieden. Wenn der Steuerrechner eine RS-232-Schnittstelle besitzt, ist ein Schnittstellenkonverter (z. B. von HBM, Bestell-Nr.: 1-SC232/422B) erforderlich. Die richtige Zuordnung von Sende- und Empfangsleitungen ist in Abb. 7.4 dargestellt (Busleitung Ra an Ta des Konverters etc.). Der Konverter von HBM sowie die PW15AHi enthalten bereits Busabschluss-Widerstände. Deshalb sind zusätzliche Busab-

schlusswiderstände bei RS-485 **nicht** notwendig. Bis zu 32 PW15AHi können an einem Bus angeschlossen werden.

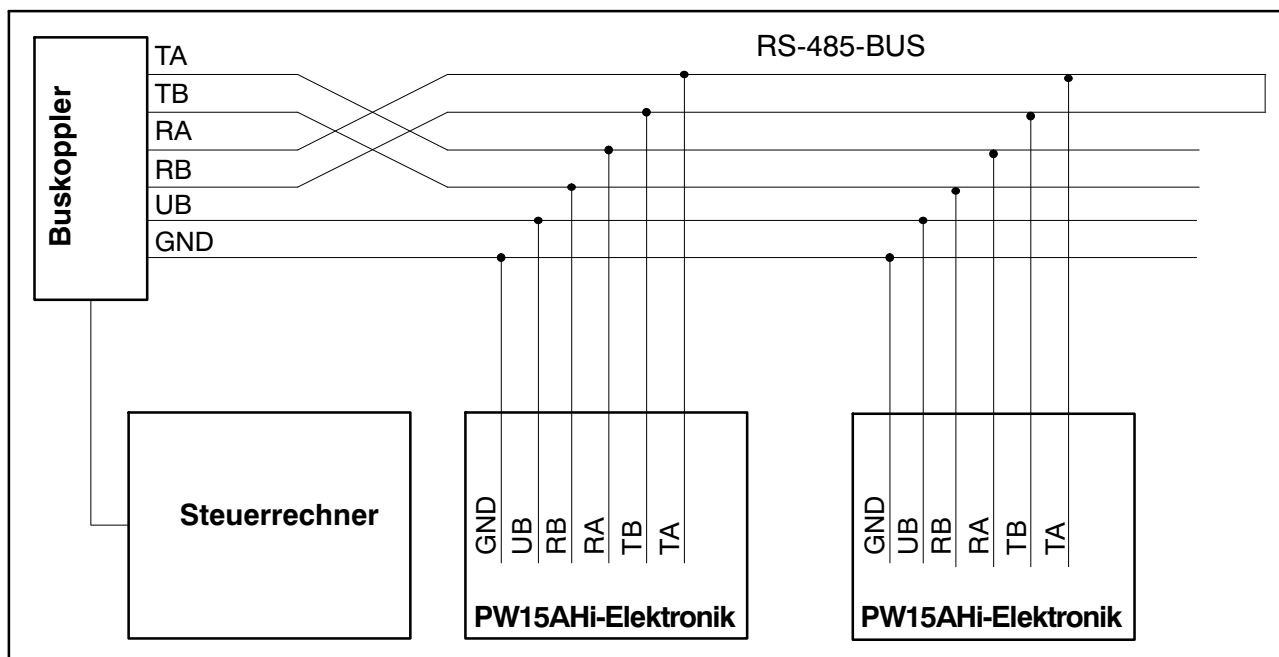


Abb. 7.4 Anschluss mehrerer PW15AHi an einen Rechner über RS-485-4-Leiter-Bus

7.2 CANopen-Schnittstelle

Die Schnittstelle ist nach CANopen-Standard CiA DS301 ausgeführt.

Busaufbau

Der CAN-Bus wird als 2-Draht-Leitung (CanH und CanL) aufgebaut (siehe ISO11898). **Am Anfang und am Ende des Busses sind unbedingt Busabschluss-Widerstände (je 120 Ω) anzuschließen.** Die PW15AHi enthält keinen Busabschluss-Widerstand. Die Struktur der Busverdrahtung wurde so gewählt, dass die Länge der Stichleitungen minimiert wird.

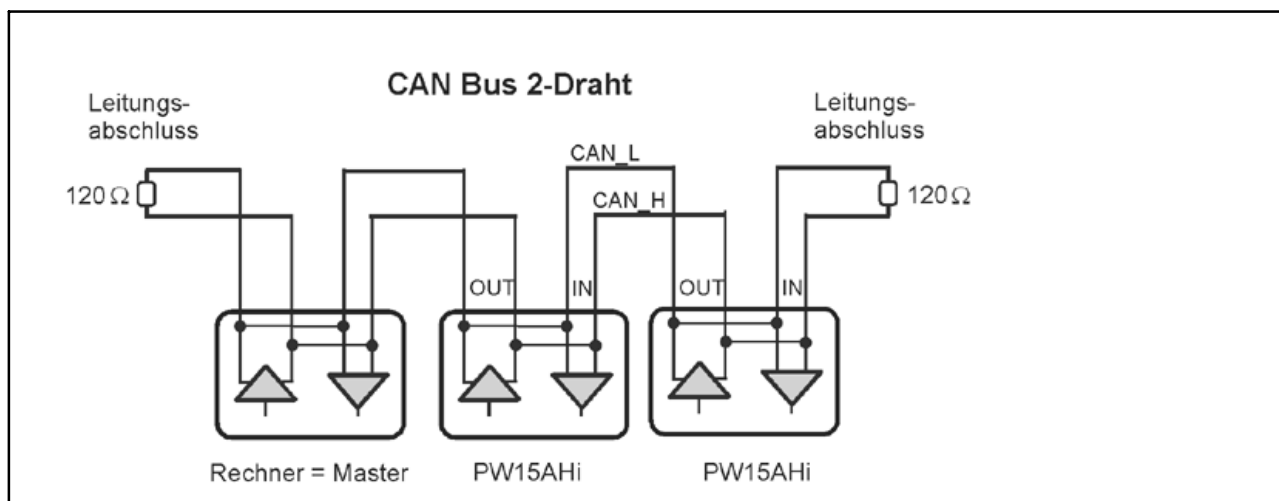


Abb. 7.5 Busverdrahtung CAN-Bus



ACHTUNG

Der CAN-Bustreiber der PW15AHi bezieht sich auf GND. Der CAN-Bustreiber des Masters muss sich auch auf diesen GND beziehen.

Baudrate und Bus-Kabellänge

Als maximale Kabellänge in Abhängigkeit der Baudrate gilt für den CANopen Bus:

Baudrate [kBit/s]	10	20	50	125	250	500	800	1000
Max. Kabellänge [m]	5000	2500	1000	500	250	100	50	25

Die max. Kabellänge ist die Gesamtleitungslänge, die sich aus der Länge aller Stichleitungen pro Knoten (Busteilnehmer) und der Leitungslänge zwischen den Knoten errechnet. Die Länge der Stichleitungen pro Knoten ist begrenzt und von der verwendeten Baudrate abhängig (siehe weiterführende Dokumentationen CAN-Bus: *CiA DS102 V2.0*). Bei Benutzung der CAN-Verdrahtung der PW15AHi mit den Leitungen CAN_In und CAN_Out ist die Stichleitungslänge zur PW15AHi gleich Null. Wird nur ein Anschlusspaar verwendet (CAN_In oder CAN_Out), zählt die Kabellänge der PW15AHi als Stichleitung.

Einstellung der Adresse

Die Adresse wird über den Bus eingestellt:

CAN Bus: 1...127 (Voreinstellung bei Auslieferung: 63)

Einstellung der Bitrate

Die Bitrate wird mit dem Feldbus-Konfigurationstool über den Bus eingestellt, die Werkseinstellung ist 125 Kbit.

Erläuterungen zur CANopen-Kommunikation finden Sie in der Online-Hilfe, Beschreibung der CANopen-Kommunikation.

7.3 DeviceNet-Schnittstelle

Die Schnittstelle ist nach DeviceNet-Spezifikation, Release 2.0 ODVA ausgeführt.

Busaufbau

Der DeviceNet-Bus wird als 2-Draht-CAN-Bus (CanH und CanL) aufgebaut (siehe ISO11898). **Am Anfang und am Ende des Busses sind unbedingt Busabschluss-Widerstände (je 120 Ω) anzuschließen.** Die PW15AHi enthält keinen Busabschluss-Widerstand (Leitungsabschluss). Die Struktur der Busverdrahtung wurde so gewählt, dass die Länge der Stichleitungen minimiert wird.

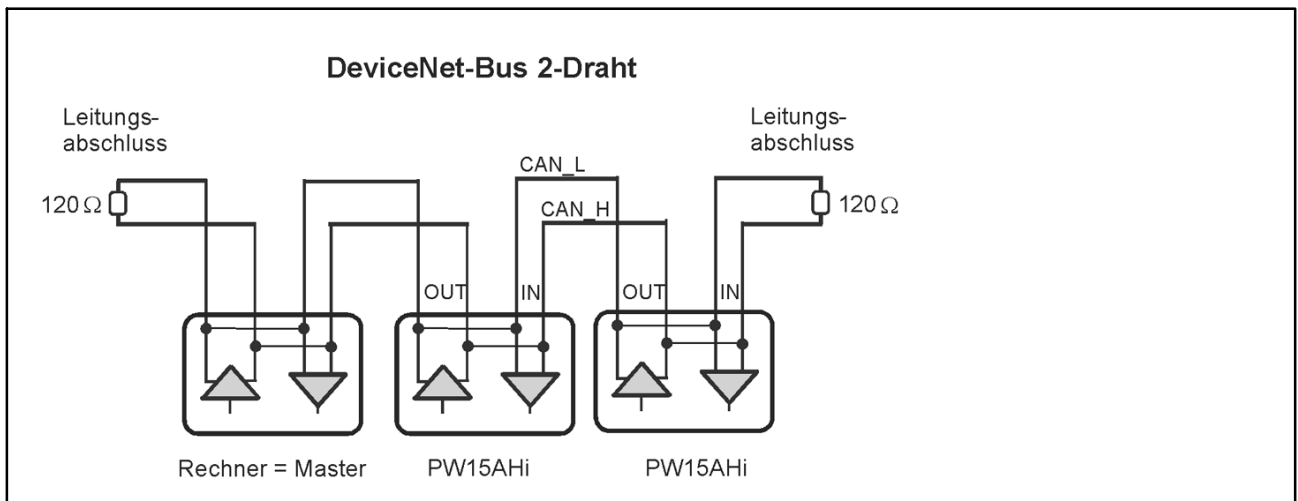


Abb. 7.6 Busverdrahtung DeviceNet



ACHTUNG

Der CAN-Bustreiber der PW15AHi bezieht sich auf GND. Der CAN-Bustreiber des Masters muss sich auch auf diesen GND beziehen.

Baudrate und Bus-Kabellänge

Als maximale Kabellänge in Abhängigkeit der Baudrate gilt für den DeviceNet- Bus:

Baudrate [kBit/s]	125	250	500
Max. Kabellänge [m]	500	250	100

Die max. Kabellänge ist die Gesamtleitungslänge, die sich aus der Länge aller Stichleitungen pro Knoten (Busteilnehmer) und der Leitungslänge zwischen den Knoten errechnet. Die Länge der Stichleitungen pro Knoten ist begrenzt und von der verwendeten Baudrate abhängig (siehe weiterführende Dokumentationen DeviceNet: *DeviceNet Specification Volume 1, Appendix B, cable profiles*). Bei Benutzung der CAN-Verdrahtung der PW15AHi mit den Leitungen CAN_In und CAN_Out ist die Stichleitungslänge zur PW15AHi gleich Null. Wird nur ein Anschlusspaar verwendet (CAN_In oder CAN_Out) so zählt die Kabellänge der PW15AHi als Stichleitung.

Einstellung der Adresse

Die Adresse wird über den Bus eingestellt:

DeviceNet: 1...63 (default bei Auslieferung: 63)

Einstellung der Bitrate

Die Bitrate wird mit dem Feldbus-Konfigurationstool über den Bus eingestellt, die Werkseinstellung ist 125 Kbit.

Erläuterungen zur DeviceNet-Kommunikation finden Sie in der Online-Hilfe, Beschreibung der DeviceNet-Kommunikation.

7.4 Digitaler Steuereingang

Das Steuersignal ist zwischen dem Eingang und GND anzulegen. Der Eingang kann direkt mit einem Logiksignal (HCMOS) angesteuert werden, toleriert aber Spannungen bis 24 V.

Der Eingang kann durch den Softwarebefehl **IMD** verschiedenen Funktionen zugeordnet werden:

IMD0 Der Status des Einganges hat keinen Einfluss auf den Messprozess, ist aber mit dem Befehl **POR?** abzufragen. Auf diese Weise lassen sich beliebige Digitalsignale (z. B. von Endschaltern) von der steuernden Software erfassen, ohne zusätzliche Leitungen und I/O-Module zu installieren.

IMD1 Der Eingang dient als Triggereingang für die Triggerfunktionen mit externem Trigger (Triggerfunktion, z. B. für Checkweigher).

IMD2 Der Eingang dient als Stoppeingang für die Dosierfunktion.

Eingang	IMD0;	IMD1;	IMD2;
IN1	Abfrage über POR?	Externer Triggereingang	Stopp Dosieren (BRK)

Signalform

Die Triggerfunktion reagiert auf die ansteigende Flanke eines Schaltimpulses.

Funktion	Steuereingang
Ruhepegel	definierter high-oder low-Pegel
auslösendes Ereignis	Low-High-Übergang

Bei den elektrischen Daten sind die Unterschiede zwischen den verschiedenen Eingängen zu beachten:

Eigenschaft	Steuereingang
Bezugspotential	GND
Low-Pegel	0 ... 1 V
High-Pegel	4 ... 24 V
Eingangswiderstand	> 10 k Ω

8 Technische Daten

Typ		PW15AHi		
Genauigkeitsklasse nach OIML R60		C3		
Nennlast (E_{max})	kg	10	20	50
Mindestteilungswert (v_{min})	g	1	2	5
Mindestanwendungsbereich für 3000 d	kg	3	6	15
Max. Plattformgröße	mm	L500 · B400		
Anzahl der Teilungswerte (n_{LC})		3000		
Fehleranteil (p_{LC})		1		
Temperaturkoeffizient des Kennwertes (TK_C)¹⁾²⁾	% v. C_n	± 0,0250		
Temperaturkoeffizient des Nullsignals (TK_{SO})²⁾	$C_n/10$ K	± 0,0200		
Relative Umkehrspanne (d_{hy})¹⁾²⁾		± 0,0166		
Linearitätsabweichung (d_{lin})¹⁾²⁾		± 0,0166		
Belastungskriechen (d_{CR}) über 30 min	% v. C_n	± 0,0166		
Eckenlastabweichung nach OIML R76		± 0,0233		
Gebrauchslast (E_U) bei max. 120 mm Exzentrizität		150		
Grenzlast (E_L) bei max. 20 mm Exzentrizität	% v. E_{max}	300		
Relative zul. Schwingbeanspruchung (F_{srel}) bei max. 50 mm Exzentrizität		70		
Nennmessweg (s_{nom})	mm	< 0,2		
Spannungsversorgung:				
Betriebsspannung UB1 (DC)	V	+ 12 ... +30		
Leistungsaufnahme	W	≤ 1,5		
Einschaltstrom	A	0,15		
Messsignalauflösung (1 Hz-Filter)	Bit	20		
Messrate	1/s	4 ... 1200		
Einstellbare Grenzfrequenz des Digitalfilters	Hz	80 ... 0,0625		
Baudrate (RS-485-Schnittstelle)	Baud	1200; 2400; 4800; 9600; 19200; 38400; 57600; 115200		
Max. Anzahl der Busteilnehmer		32		
CANopen Schnittstelle		Standard CiA DS301		
Baudrate	Baud	10 000 ... 1 000 000		
DeviceNet Schnittstelle		Release 2.0 ODVA		
Baudrate	Baud	125 000 ... 500 000		
max. Kabellänge (CANopen, DeviceNet)	m	≤ 5000 (10 kBaud) ... ≤ 100 (500 kBaud), ≤ 25 (1 MBaud)		
Asynchrone serielle Schnittstelle RS-485, 4 Leiter, max. Kabellänge	m	500		
Triggereingang				
Zulässige Eingangsspannung	V	0 ... +20		
Low-Pegel	V	< 1		
High-Pegel	V	> 4		
Eingangswiderstand	kΩ	10		

Nennbereich der Umgebungstemperatur	°C	- 10 ... + 40
Gebrauchstemperaturbereich	°C	- 10 ... + 50
Lagerungstemperaturbereich	°C	- 25 ... + 75
EMV-Anforderungen		EN 45501, OIML R76 EN 61326-1/Tab. 4, Betriebsmittel der Klasse B EN 61326/A1, Tab. A1, Betriebsmittel in industriellen Bereichen
Schutzart nach EN 60529		IP 68
Elektrischer Anschluss		Gerätebuchse, Fa. Lumberg, 8-polig
Material		Stahl
Gewicht, ca.	kg	1

- 1) Max. exzentrische Belastung gemäß OIML R76
- 2) Werte können im Einzelfall überschritten werden. Die resultierende Kennlinienabweichung aus T_{KC} , Linearitätsabweichung und relativer Umkehrspanne liegt jedoch innerhalb der Fehlergrenzen nach OIML R 60 mit $p_{LC}=1$.
- 3) Alle relativen Fehlerangaben beziehen sich auf das Ausgangssignal bei Nennlast.

Sommaire	Page
Consignes de sécurité	48
1 Utilisation	50
2 Caractéristiques spécifiques	51
3 Marquage et variantes	51
4 Structure mécanique et instructions de montage	52
4.1 Modèle PW15AHi	52
4.2 Avant la mise en service	52
4.3 Instructions de montage	53
5 Structure électrique et fonctionnement	54
5.1 Fonctionnement	54
5.2 Traitement de signal	55
5.3 Fonctions de trigger	56
5.4 Fonction de seuils	57
5.5 Fonction de crêtes	57
5.6 Contrôle de dosage et de remplissage	57
5.7 Fonction de diagnostic	58
6 Raccordement électrique	59
6.1 Code de raccordement du PW15AHi	59
6.2 Tension d'alimentation	60
7 Interfaces	62
7.1 Interface RS-485 4 fils (UART)	62
7.2 Interface CANopen	63
7.3 Interface DeviceNet	64
7.4 Entrée de contrôle numérique	66
8 Caractéristiques techniques	67

Consignes de sécurité

Il est interdit de modifier l'appareil sur le plan conceptuel ou celui de la sécurité sans accord explicite de notre part. Nous ne pourrions en aucun cas être tenus responsables des dommages qui résulteraient d'une modification quelconque.

Il est notamment interdit de procéder soi-même à toute réparation. Seul HBM est autorisé à intervenir sur les produits.

L'ensemble des réglages d'usine est protégé en usine contre les coupures secteur et ne peut être effacé ou remplacé. La commande **TDD0** permet en outre de revenir aux réglages d'usine à tout moment.

Le numéro de fabrication réglé en usine ne peut pas être modifié.

- Les pesons PW15AHi ne doivent être utilisés que pour des opérations de pesage ainsi que pour les opérations de réglage et de commande qui y sont directement liées. Toute autre utilisation est considérée comme non conforme.
- En cas d'utilisation normale, c'est-à-dire lorsque les instructions et consignes de sécurité concernant la planification, le montage, l'exploitation conforme et l'entretien sont respectées, ce produit ne représente aucun danger.
- Les règles de sécurité et de prévention des accidents en vigueur pour chaque application doivent impérativement être respectées.
- Seul du personnel qualifié est autorisé à effectuer les opérations de montage et de mise en service.
- Lors du montage et du raccordement des lignes, prendre des mesures contre les décharges électrostatiques qui pourraient entraîner une détérioration des composants électroniques.
- Pour l'alimentation, il convient d'utiliser une basse tension (12 ... 30 V) séparée du secteur de façon fiable (voir Caractéristiques techniques).
- En cas de raccordement d'appareils supplémentaires, respecter les règles de sécurité correspondantes.
- Toutes les lignes de raccordement doivent être blindées. Le blindage doit être relié en nappe à la masse des deux côtés.

Vous trouverez d'autres consignes dans l'aide en ligne fournie sur le CD système 1-FIT-AED-DOC.

Dans la présente notice de montage, les dangers résiduels sont signalés à l'aide des symboles suivants :



Symbole : **ATTENTION**

Signification : Situation éventuellement dangereuse

Signale un risque potentiel qui – si les dispositions relatives à la sécurité ne sont pas respectées – **pourrait avoir** pour conséquence des dégâts matériels et/ou des blessures corporelles de gravité minime ou moyenne.

Symboles signalant des conseils de mise en œuvre et des informations utiles :



Symbole : **NOTE**

Signale que des informations importantes concernant le produit ou sa manipulation sont fournies.



Symbole :

Signification : Marquage CE

Le marquage CE permet au constructeur de garantir que son produit est conforme aux exigences des directives européennes correspondantes (la déclaration de conformité est disponible à l'adresse suivante : <http://www.hbm.com/HBMdoc>).



Symbole :

Signification : Marquage d'élimination des déchets prescrit par la loi

Les équipements usagés ne doivent pas, conformément aux réglementations nationales et locales en matière de protection de l'environnement et de recyclage des matières premières, être éliminés avec les déchets ménagers normaux.

Pour plus d'informations sur l'élimination d'appareils, adressez-vous aux autorités locales ou au revendeur auprès duquel vous avez acheté le produit en question.

1 Utilisation

Les pesons PW15AHi appartiennent à la famille des pesons et chaînes de mesure numériques spécialement conçus par HBM pour les processus de pesage rapides dynamiques. Ils détectent les signaux de mesure provenant de jauges d'extensométrie, les convertissent en signaux numériques qu'ils envoient. Sur demande, il est possible de les rendre compatibles avec les bus. Ils délivrent un signal de sortie complètement filtré, ajusté et numérisé pouvant être directement exploité par des systèmes de bus ou des ordinateurs. Ils fonctionnent à une vitesse de mesure pouvant atteindre 1200 mesures par seconde. Ils peuvent en outre être aisément et rapidement adaptés au système de pesage employé en sélectionnant les paramètres appropriés. La fonction de trigger intégrée permet de déterminer la valeur du poids en fonction des événements, ce qui réduit considérablement le besoin en logiciels externes dans les applications de balance de contrôle, par exemple.

Le PW15AHi contient un contrôle de dosage. Comme ce peson ne possède pas de sortie numérique, l'API principale externe doit mettre les E/S numériques à disposition. Les informations de contrôle de ces sorties numériques sont générées par le PW15AHi dans les états de valeurs de mesure correspondants (état de valeur de mesure **MSV**). Il suffit donc à l'API principale de communiquer ces bits de commande à ses sorties numériques pour ainsi piloter les vannes du contrôle de dosage.

Le peson est livré au choix avec l'interface RS-485, CANopen ou DeviceNet. Les pesons PW15AHi sont en acier inoxydable et présentent le degré de protection élevé IP 68.

Il est possible de régler simplement tous les paramètres, de représenter les signaux de mesure dynamiques et d'effectuer une analyse exhaustive de la fréquence du système dynamique au moyen du logiciel PC *AED_Panel32*. Cette partie du manuel d'emploi décrit le matériel et les fonctions du peson numérique PW15AHi. Les commandes pour la communication série sont présentées dans la documentation en ligne (= commandes AD103C).

2 Caractéristiques spécifiques

- Filtrage et ajustage numériques rapides du signal de mesure
- Interfaces série : RS-485 4 fils, CANopen, DeviceNet
- Ensemble des réglages effectué via l'interface série
- Possibilité d'enregistrer les paramètres pour les protéger des coupures secteur
- Impossible de perdre les réglages d'usine
- Choix de la vitesse de sortie des valeurs mesurées, jusqu'à 1200 valeurs/s
- Quatre fonctions de seuils
- Fonctions de crêtes (MIN/MAX)
- Quatre fonctions de trigger (déclenchement interne par niveau ou externe)
- Contrôle de dosage
- Fonctions de diagnostic
- Tension d'alimentation 12 V à 30 V_{C.C.}
- Degré de protection IP 68

3 Marquage et variantes

Le PW15AHi peut être livré avec trois types d'interface différents.

La classe de précision est C3 (OIML).

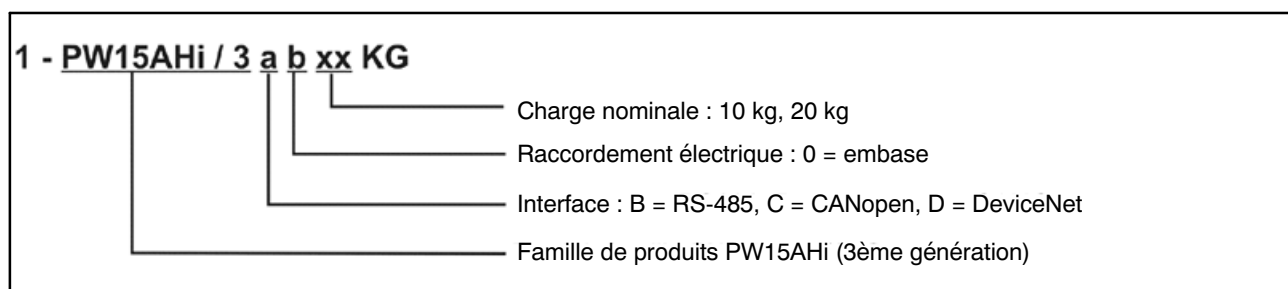


Fig. 3.1 Référence de commande du PW15AHi, explications : RS-485 = bus RS-485 (4 fils)

Les types conseillés suivants ont été définis (autres variantes sur demande) :

Charge nom.	Interfaces		
	RS-485	CANopen	DeviceNet
10 kg	1-PW15AHi/3B0/10kg	1-PW15AHi/3C0/10kg	1-PW15AHi/3D0/10kg
20 kg	1-PW15AHi/3B0/20kg	1-PW15AHi/3C0/20kg	1-PW15AHi/3D0/20kg
50 kg	1-PW15AHi/3B0/50kg	1-PW15AHi/3C0/50kg	1-PW15AHi/3D0/50kg

4 Structure mécanique et instructions de montage

4.1 Modèle PW15AHi

Les pesons numériques PW15AHi se caractérisent par leur élément de mesure compact en acier inoxydable et présentent le degré de protection IP 68. Les composants électroniques sont intégrés dans l'élément de mesure.

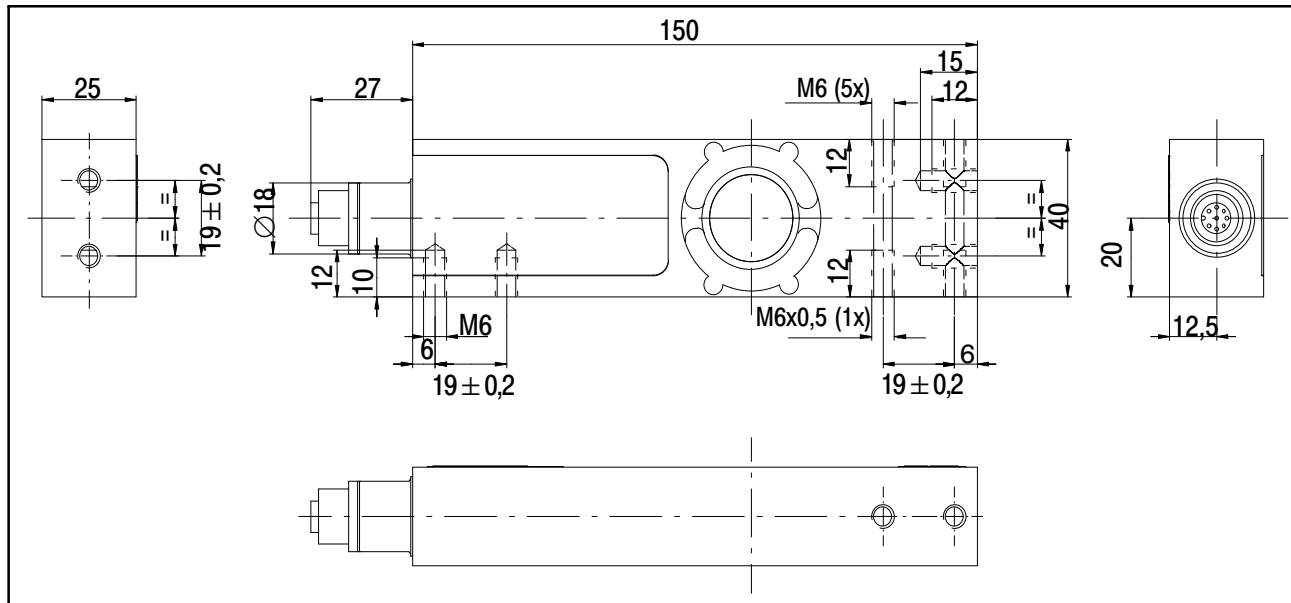


Fig. 4.1 Dimensions du PW15AHi

4.2 Avant la mise en service

Respecter les points suivants lors du montage et du fonctionnement :

- Choisir la longueur des vis de fixation de façon à ce que la longueur de filet maximale ne dépasse pas 10 mm. Le peson risque sinon d'être endommagé.
- Éviter tout shunt dans la construction.

4.3 Instructions de montage

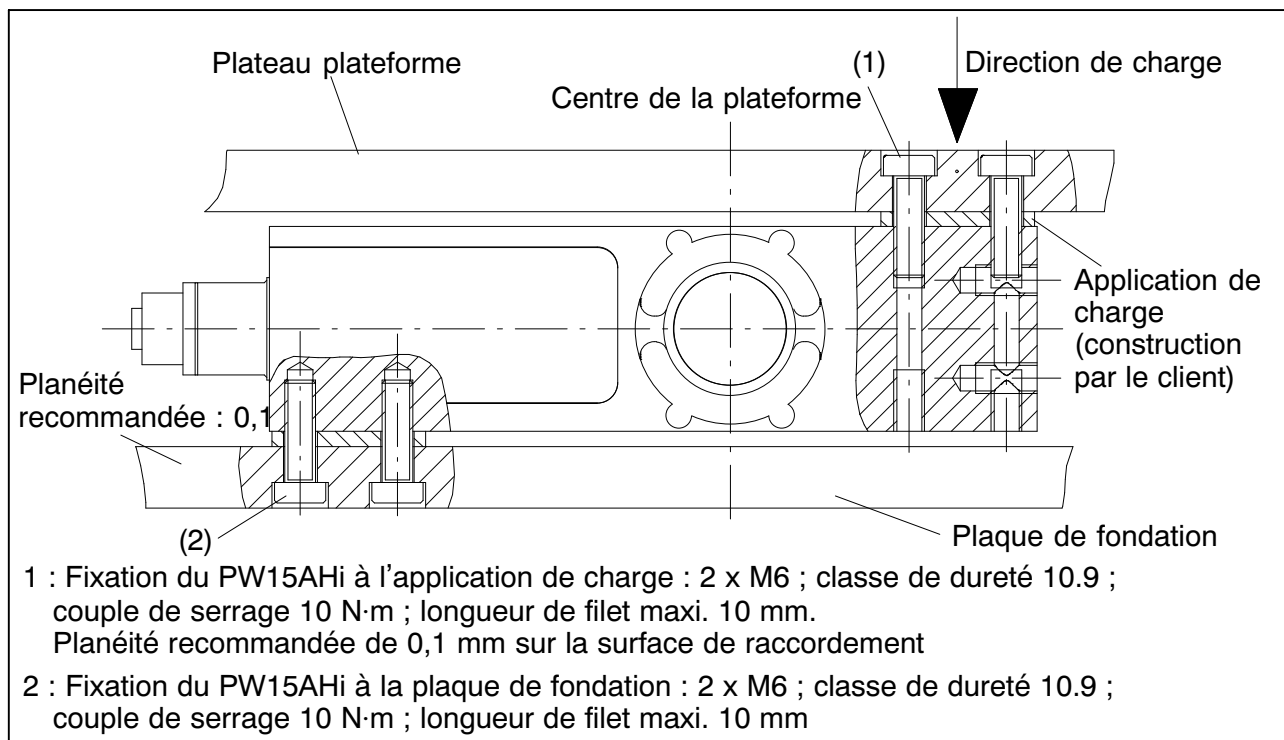


Fig. 4.2 Instructions de montage du PW15AHi

Le peson PW15AHi doit être monté sur une surface propre d'une planéité supérieure à 0,1 mm. Une protection contre les surcharges peut être intégrée sous forme de vis à filetage fin M6x0,5.

Il est conseillé d'effectuer l'application de charge au milieu de la plateforme afin de minimiser les erreurs d'excentricité et les moments.

Avant d'installer **plusieurs** PW15AHi dans une installation dotée d'un système de bus, tenir compte des points suivants :

Le numéro de fabrication (figurant sur la plaque signalétique) est indispensable pour régler la communication des données. Si la plaque signalétique n'est plus accessible à l'issue du montage, il est conseillé de noter au préalable les numéros de tous les pesons PW15AHi. Il est ainsi possible d'affecter des adresses différentes lors de la première mise en service.

Vous pouvez également connecter les PW15AHi un par un à un PC **avant** de les raccorder au système de bus afin de régler des adresses différentes (voir la commande ADR dans l'aide en ligne).

5 Structure électrique et fonctionnement

L'électronique du peson numérique PW15AHi est principalement constituée des groupes de fonctions suivants :

- Peson plateforme
- Amplificateur
- Convertisseur analogique-numérique (A/N)
- Unité d'exploitation (μ P)
- Mémoire non volatile pour les paramètres (EEPROM)
- Interface série (RS-485, CANopen ou DeviceNet)
- Entrée de contrôle IN1 (déclenchement/arrêt du dosage)

5.1 Fonctionnement

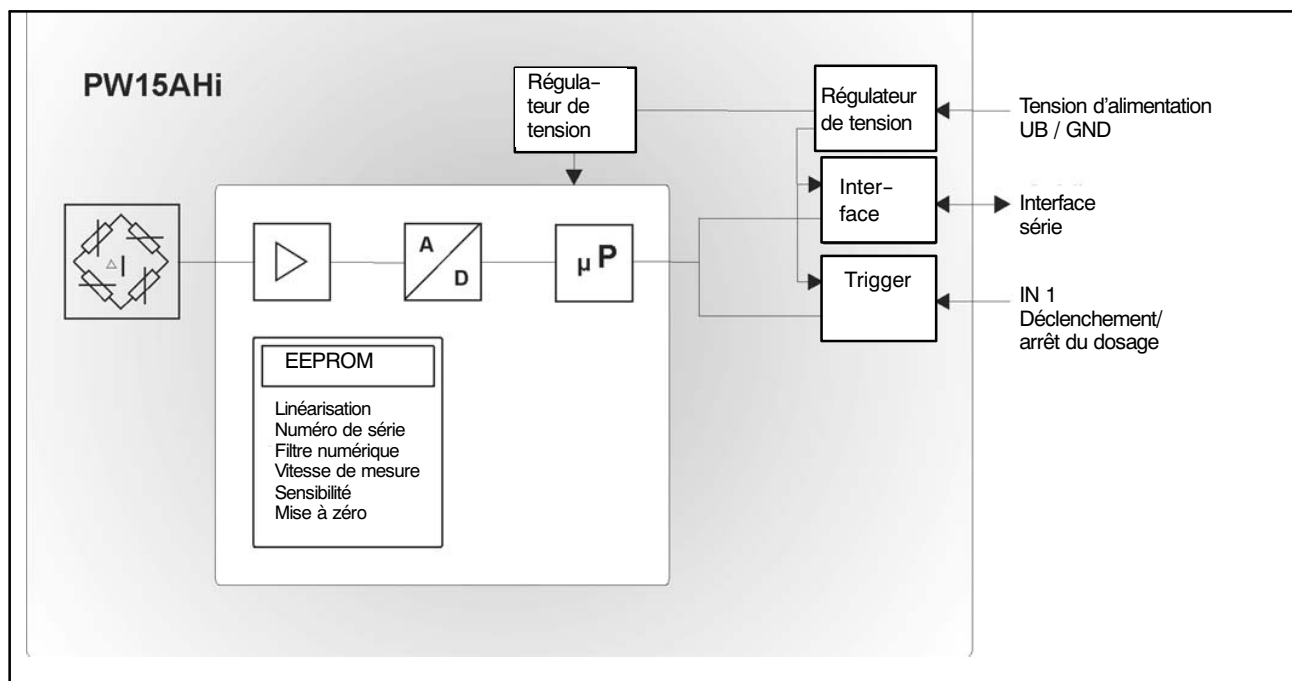


Fig. 5.1 Schéma synoptique

Le signal analogique du capteur est tout d'abord amplifié, filtré et converti en une valeur numérique dans le convertisseur A/N. Le signal de mesure ainsi numérisé est ensuite traité dans le microprocesseur, puis transmis via l'interface série. Tous les paramètres peuvent être enregistrés dans l'EEPROM et ainsi protégés contre les coupures secteur.

Le peson PW15AHi est réglé en usine pour une charge nulle et pour la charge nominale. L'électronique calcule alors une caractéristique d'usine à partir de ces valeurs. Elle déterminera ensuite les valeurs de mesure à l'aide de cette caractéristique. Selon le format de sortie (**COF**), le système délivre les valeurs de mesure suivantes :

Format de sortie	Signal d'entrée	Valeurs mesurées pour NOV = 0	Valeurs mesurées pour NOV > 0
Binaire 2 chiffres (entier)	0 ... charge nom.	0 ... 20 000 digits	0 ... NOV
Binaire 4 chiffres (entier long)	0 ... charge nom.	0 ... 5 120 000 digits	0 ... NOV
ASCII	0 ... charge nom.	0 ... 1 000 000 digits ¹⁾	0 ... NOV

1) État à la livraison

Les deux paramètres **LDW** et **LWT** permettent d'adapter la caractéristique à vos exigences (caractéristique de pesage). La commande **NOV** permet en outre de normaliser les valeurs de mesure sur la valeur d'ajustage souhaitée (par ex. 3000 d). Pour plus d'informations, se reporter à l'aide en ligne.

5.2 Traitement de signal

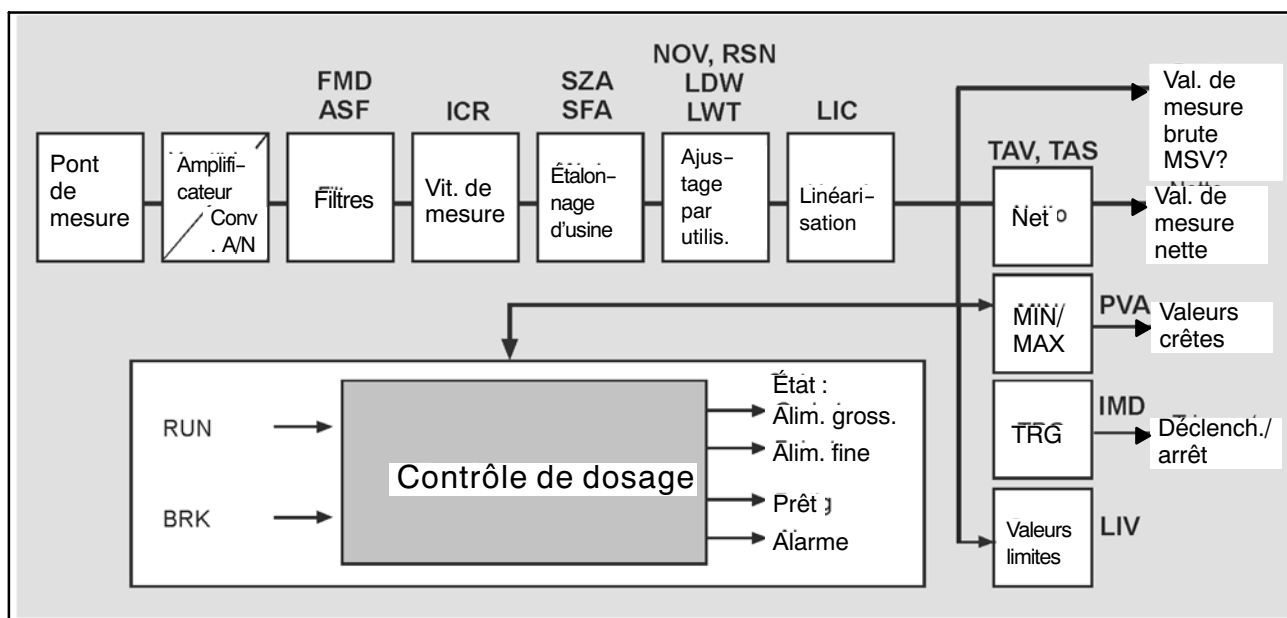


Fig. 5.2 Schéma logique

À l'issue de l'amplification et de la conversion A/N, le signal est filtré à l'aide de filtres numériques réglables.

Les commandes **ASF** et **FMD** permettent de régler la fréquence de coupure des filtres numériques. Il est aussi possible de modifier la vitesse de sortie (valeurs de mesure par seconde) à l'aide de la commande **ICR**.

L'utilisateur peut définir sa propre caractéristique (commandes **LDW**, **LWT**, **NOV**) sans avoir à modifier le calibrage d'usine. De plus, il est possible de commuter entre les valeurs de mesure brutes et nettes (commande **TAS**). La commande **ZSE** permet d'activer une fonction automatique de mise à zéro. Il est également possible d'obtenir une fonction de maintien automatique du zéro (**ZTR**).

Pour une linéarisation de la caractéristique de pesage, utiliser la commande **LIC** (avec un polynôme du 3e degré). Les paramètres du polynôme peuvent être déterminés à l'aide du programme PC AED_Panel32 de HBM.

La valeur de mesure actuelle est lue à l'aide de la commande **MSV?**. Le format de cette valeur de mesure (ASCII ou binaire) est réglé via la commande **COF**. La commande **COF** permet également de choisir une sortie automatique des valeurs de mesure.

Le peson PW15AHi comprend divers types de filtres numériques que l'on sélectionne à l'aide de la commande **FMD**. Avec **FMD0**, des filtres sont également disponibles sous la fréquence de coupure de 1 Hz. En mode de filtrage **FMD1**, des filtres à temps de montée très court et présentant un amortissement important dans la plage de blocage sont activés. Pour plus d'informations, se reporter à l'aide en ligne.

5.3 Fonctions de trigger

Le PW15AHi contient **quatre fonctions de trigger** pour les mesures dans des machines d'emballage et des balances de contrôle :

- Pré-déclenchement interne par un niveau réglable
- Déclenchement externe via l'entrée de contrôle numérique (pré-trigger)
- Post-déclenchement interne par un niveau réglable
- Déclenchement externe via l'entrée de contrôle numérique (post-trigger)

Le système peut traiter des valeurs de mesure brutes ou nettes (**TAS**). Pour cela, le mode d'entrée doit être réglé sur **IMD1**.

La fonction de trigger est décrite dans l'aide en ligne sous Présentation de la fonction de trigger.

5.4 Fonction de seuils

Le peson PW15AHi prévoit quatre valeurs limites réglables par le biais de la commande **LIV**. L'état des fonctions de seuils peut être extrait de l'état de la valeur de mesure (**MSV?** ou **RIO?**). En tant que signal d'entrée de la surveillance de valeurs limites, vous pouvez utiliser au choix la valeur brute, la valeur nette, le résultat de déclenchement ou les valeurs crêtes MIN/MAX. Pour cela, le mode d'entrée doit être réglé sur **IMD0/1**.

Comme ces pesons ne possèdent pas de sortie numérique, l'API principal externe doit mettre les E/S numériques à disposition. Les informations de contrôle de ces sorties numériques sont générées par le PW15AHi dans les états de valeurs de mesure correspondants (état de valeur de mesure **MSV**, **RIO**). Il suffit donc à l'API principal de communiquer ces bits de commande à ses sorties numériques pour ainsi piloter les sorties de valeurs limites. Pour plus d'informations, se reporter à l'aide en ligne, Fonction de seuils.

5.5 Fonction de crêtes

Le PW15AHi comprend une fonction de crêtes capable de surveiller au choix les valeurs de mesure brutes ou les valeurs de mesure nettes. La sortie des deux crêtes (MIN et MAX) est réalisée via la commande **PVA**. La commande **CPV** permet de supprimer à tout moment les crêtes. L'activation a lieu par le biais de la commande **PVS**.

Pour plus d'informations, se reporter à l'aide en ligne, Fonction de crêtes.

5.6 Contrôle de dosage et de remplissage

Le PW15AHi contient un contrôle de dosage. Comme ce peson ne possède pas de sortie numérique, l'API principal externe doit mettre les E/S numériques à disposition. Les informations de contrôle de ces sorties numériques sont générées par le PW15AHi dans les états de valeurs de mesure correspondants (état de valeur de mesure **MSV**, **RIO**). Il suffit donc à l'API principal de communiquer ces bits de commande à ses sorties numériques pour ainsi piloter les vannes du dispositif de dosage.

Le PW15AHi comprend 32 blocs de paramètres mémorisés dans l'EEPROM. La sélection a lieu par le biais de la commande **RDP**. Une modification des paramètres de dosage est possible en cours de dosage.

La fonction de remplissage ou de dosage est activée par le biais de la commande **IMD2**. Dans ce cas, les réglages des fonctions de seuil et de trigger ne jouent aucun rôle.

La fonction de dosage est expliquée dans l'aide en ligne sous Commandes pour le contrôle du dosage.

5.7 Fonction de diagnostic

Une fonction de diagnostic permettant la surveillance des mesures dynamiques est intégrée au peson PW15AHi. Cette fonction contient une mémoire pouvant accueillir 512 valeurs de mesure (binaires) ainsi que les informations d'état correspondantes. Divers modes d'enregistrement permettent d'analyser les opérations sans avoir à interrompre la mesure.

L'avantage de la fonction de diagnostic réside dans le fait que les valeurs de mesure sont enregistrées en temps réel (sans perte de données), puis extraites lentement (hors ligne). Ceci permet un accès à ces données en temps réel même avec des liaisons à faible débit.

La fonction de diagnostic est accessible via l'interface série (UART avec RS-485, bus CAN ou DeviceNet = voie de communication principale). Une interface matérielle séparée n'a pas été prévue à cet effet.

La fonction de diagnostic est expliquée dans l'aide en ligne sous Description des commandes pour le diagnostic avec le PW15AHi.

6 Raccordement électrique

6.1 Code de raccordement du PW15AHi



ATTENTION

Le PW15AHi fonctionne avec une tension d'alimentation de 30 V maxi. Tout raccordement incorrect de l'alimentation et des câbles d'interface peut provoquer des dommages irréparables.

Vérifier que les raccordements sont corrects avant la première mise en marche.

La garantie de HBM ne couvre pas les dommages dus à un raccordement incorrect.

Le PW15AHi est doté d'une embase à 8 broches.

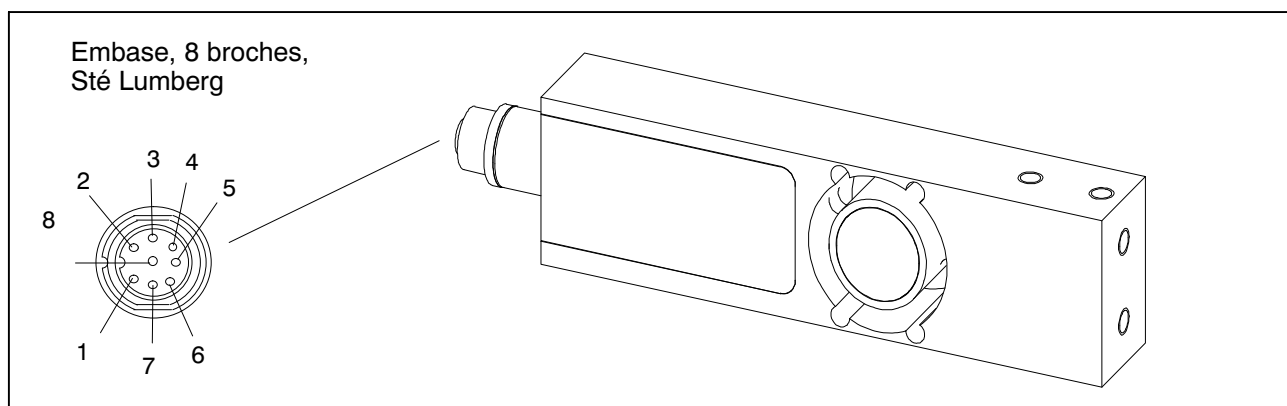


Fig. 6.1 Raccordement électrique

Borne	RS-485	CANopen	DeviceNet	Code de couleurs 1-Kab165-3 ¹⁾
1	GND	GND	GND	blanc
2	vacant	vacant	vacant	marron
3	RA	CanH in	CanH in	vert
4	Déclench/arrêt dosage	Déclench/arrêt dosage	Déclench/arrêt dosage	jaune
5	RB	CanL in	CanL in	gris
6	TB	CanL out	CanL out	rose
7	TA	CanH out	CanH out	bleu
8	12...30 V	12...30 V	12...30 V	rouge

¹⁾ Le câble 1-KAB165-3 est disponible en tant qu'accessoire.

Respecter les limitations de longueur de câble qui s'appliquent au système de bus et qui varient en fonction du débit en bauds.



NOTES :

- Le boîtier des pesons PW15AHi doit être relié au blindage du câble via l'embase. Pour obtenir une connexion compatible CEM (CEM = compatibilité électromagnétique), le blindage de ce câble doit être relié à la terre ou au boîtier de l'appareil raccordé. Le blindage doit être connecté directement et à faible impédance (par ex. passages de câbles PG compatibles CEM).
- Pour toutes les connexions (interface, alimentation et appareils supplémentaires), n'utiliser que des câbles blindés de faible capacité (les câbles de mesure HBM satisfont à ces conditions).
- Les champs électriques et magnétiques provoquent souvent le couplage de tensions parasites dans l'électronique de mesure. Il ne faut pas poser les câbles de mesure en parallèle avec des lignes de puissance et de contrôle. Si cela n'est pas possible, protéger le câble de mesure (par ex. à l'aide de tubes d'acier blindés). Éviter les champs de dispersion des transformateurs, moteurs et vannes.
- Si nécessaire, l'équipotentialité entre le PW15AHi et le maître (PC/API) doit être réalisée au moyen d'une ligne séparée (concept de mise à la terre). Ne pas utiliser le blindage de la ligne pour obtenir cette équipotentialité.

6.2 Tension d'alimentation

L'électronique de mesure et la communication série nécessitent une tension d'alimentation continue régulée de +12 ... +30 V.

Conditions requises pour la source de tension :

- La tension d'alimentation doit être suffisamment lissée (valeur efficace moins l'ondulation résiduelle > 12 V).
- L'électronique du PW15AHi dispose d'un régulateur à faibles pertes consommant une puissance de 1,5 W. La consommation de courant dépend donc de la tension d'alimentation :

$$\text{Besoins en courant} \quad [A] = \frac{1,5 \text{ W}}{\text{Tension} \quad [V]}$$

- Lors de la mise en marche, l'électronique requiert brièvement un courant d'env. 0,15 A. Pour garantir une mise en marche sûre, l'alimentation doit pouvoir fournir ce courant, sans générer de limitation. Ce critère est particulièrement important si plusieurs pesons PW15AHi sont alimentés par un même bloc d'alimentation secteur. La charge permanente se calcule en revanche à partir de la formule indiquée plus haut.

- Tout raccordement à un réseau d'alimentation éloigné est interdit, car cela sous-entend souvent le couplage de pics de tension parasites sur les capteurs. Il faut donc prévoir une alimentation locale pour les pesons PW15AHi (même plusieurs ensemble).
- La tension d'alimentation est isolée du potentiel de blindage. Il n'est pas nécessaire de relier GND au boîtier, mais la différence de potentiel ne doit pas dépasser 10 V.
Si nécessaire, l'équipotentialité entre le PW15AHi et le maître (PC/API) doit être réalisée au moyen d'une ligne séparée (concept de mise à la terre). Ne pas utiliser le blindage de la ligne pour obtenir cette équipotentialité.
- Le fil de terre de l'alimentation (GND) sert également de potentiel de référence pour les signaux d'interface et l'entrée de contrôle.
- En cas de montages comportant plusieurs capteurs, il est possible de regrouper l'alimentation et les lignes de bus RS-485 dans un câble à 6 pôles (par ex. avec un boîtier de raccordement de HBM). Il faut alors veiller à ce que la section des fils soit suffisante, certaines portions du câble devant amener le courant d'alimentation à tous les pesons PW15AHi raccordés.

7 Interfaces



ATTENTION

Le pilote d'interface du peson PW15AHi se réfère à GND. Le pilote d'interface du maître doit également se référer à ce GND.

Le câble utilisé pour le bus doit être blindé. Les deux extrémités de ce blindage doivent toujours être raccordées au boîtier. Le blindage du câble du PW15AHi est relié électriquement à l'élément de mesure (voir le code de raccordement du PW15AHi).

Si nécessaire, l'équipotentialité entre le PW15AHi et le maître (PC/API) doit être réalisée au moyen d'une ligne séparée (concept de mise à la terre). Ne pas utiliser le blindage de la ligne pour obtenir cette équipotentialité.

Avant d'installer **plusieurs** PW15AHi dans une installation dotée d'un système de bus, tenir compte des points suivants :

Le numéro de fabrication (figurant sur la plaque signalétique) est indispensable pour régler la communication des données. Si la plaque signalétique n'est plus accessible à l'issue du montage, il est conseillé de noter au préalable les numéros de tous les pesons PW15AHi. Il est ainsi possible d'affecter des adresses différentes lors de la première mise en service.

Vous pouvez également connecter les PW15AHi un par un à un PC **avant** de les raccorder au système de bus afin de régler des adresses différentes (voir la commande **ADR** dans l'aide en ligne).

7.1 Interface RS-485 4 fils (UART)

Les pesons PW15AHi sont livrés avec une interface RS-485. Il est possible de régler des débits en bauds de 1200 à 115 200 bauds pour l'interface. La masse de référence de tous les signaux d'interface est la masse d'alimentation du peson PW15AHi (GND).

L'interface RS-485 permet de raccorder un peson PW15AHi unique. Vous pouvez également connecter plusieurs pesons PW15AHi à une interface RS-485 en créant un système de bus. Tous les capteurs sont alors branchés en parallèle à une même ligne et sont distingués par voie logicielle à l'aide de l'affectation de différentes adresses. Si le PC de commande est équipé d'une interface RS-232, il est nécessaire d'installer un convertisseur d'interface (de HBM par ex., n° de commande : 1-SC232/422B). Pour connaître l'affectation correcte des lignes d'émission et de réception, se reporter à la Fig. 7.7 (ligne de bus Ra sur ligne Ta du convertisseur, etc.). Le convertisseur de HBM ainsi que les pesons PW15AHi sont déjà munis de résistances de terminaison de bus. Avec l'interface RS-485, il est donc **inutile** d'avoir recours à des

résistances de terminaison de bus supplémentaires. Il est possible de raccorder jusqu'à 32 PW15AHi à un bus.

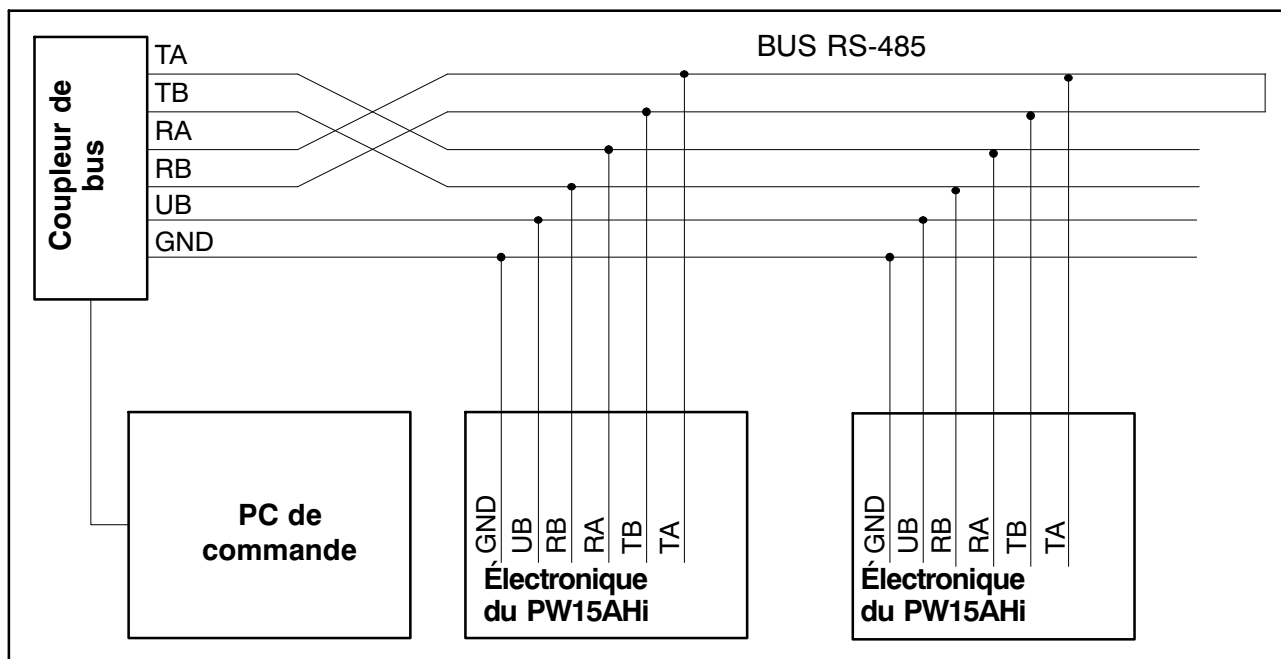


Fig. 7.7 Raccordement de plusieurs PW15AHi à un ordinateur via un bus RS-485 4 fils

7.2 Interface CANopen

L'interface a été conçue conformément à la norme CANopen CiA DS301.

Structure du bus

Le bus CAN utilise un câble en technique 2 fils (CanH et CanL) (voir ISO11898). **Des résistances de terminaison (chacune de 120 Ω) doivent être impérativement raccordées aux deux extrémités du bus.** Le peson PW15AHi n'est pas équipé de résistances de terminaison de bus. Le câblage du bus a été sélectionné de manière à réduire à un minimum la longueur des câbles de branchement.

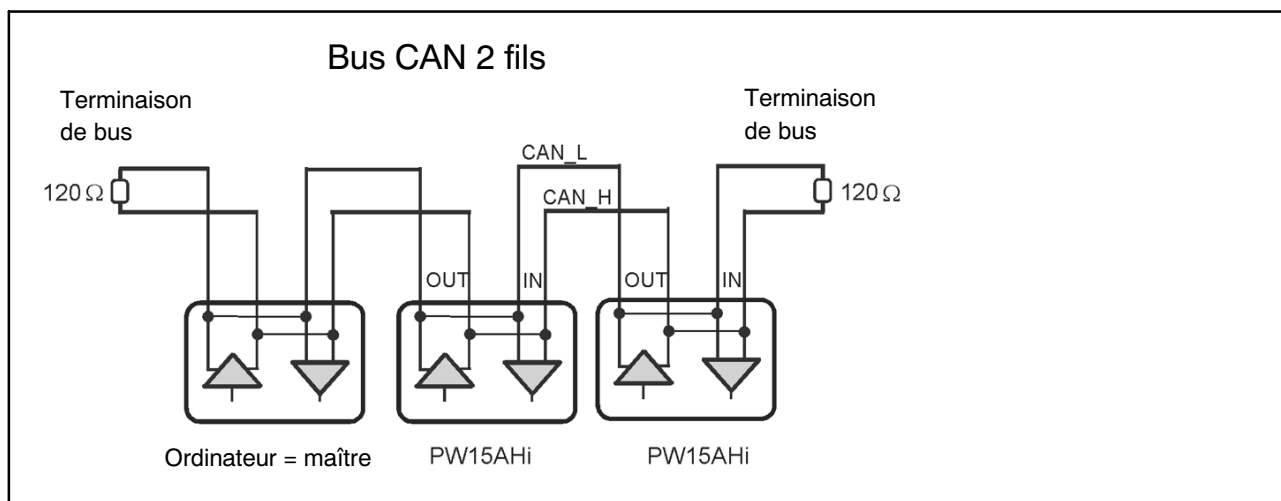


Fig. 7.8 Câblage du bus CAN



ATTENTION

Le pilote de bus CAN du peson PW15AHi se réfère à GND. Le pilote de bus CAN du maître doit également se référer à ce GND.

Débit et longueur de câble du bus

Pour la longueur de câble maximale en fonction du débit, on applique pour le bus CANopen :

Débit [kBit/s]	10	20	50	125	250	500	800	1000
Longueur de câble maxi. [m]	5000	2500	1000	500	250	100	50	25

La longueur de câble maxi. correspond à la longueur de câble totale de tous les câbles de branchement par nœud (de bus) et des câbles entre les nœuds. La longueur des câbles de branchement par nœud est limitée et dépend du débit utilisé (pour des informations supplémentaires, voir la documentation bus CAN : *CiA DS102 V2.0*). En cas d'utilisation du câblage CAN du PW15AHi avec les lignes CAN_In et CAN_Out, la longueur du câble de branchement jusqu'au PW15AHi est nulle. Si seule une paire de connexions est utilisée (CAN_In ou CAN_Out), la longueur de câble du PW15AHi compte comme câble de branchement.

Réglage de l'adresse

L'adresse est réglée à l'aide du bus :

Bus CAN : 1...127 (par défaut à la livraison : 63)

Réglage du débit binaire

Le débit binaire se règle via le bus à l'aide de l'utilitaire de configuration du bus de terrain. Le débit par défaut à la sortie d'usine est de 125 Kbit.

La communication CANopen est expliquée dans l'aide en ligne sous Description de la communication CANopen.

7.3 Interface DeviceNet

Cette interface a été conçue conformément à la spécification DeviceNet, version 2.0 ODVA.

Structure du bus

Le bus DeviceNet utilise un câble en technique 2 fils (CanH et CanL) (voir ISO11898). **Des résistances de terminaison (chacune de 120 Ω) doivent être impérativement raccordées aux deux extrémités du bus.** Le peson PW15AHi n'est pas équipé de résistances de terminaison de bus (terminaison

de ligne). Le câblage du bus a été sélectionné de manière à réduire à un minimum la longueur des câbles de branchement.

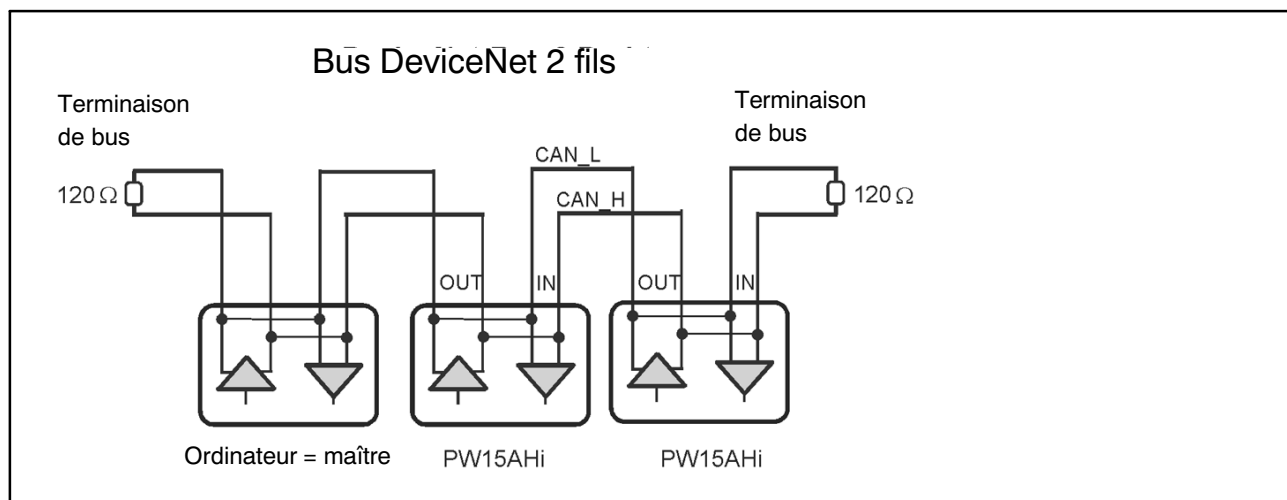


Fig. 7.9 Câblage du bus DeviceNet



ATTENTION

Le pilote de bus CAN du peson PW15AHi se réfère à GND. Le pilote de bus CAN du maître doit également se référer à ce GND.

Débit et longueur de câble du bus

En tant que longueur de câble maximale en fonction du débit, on applique pour le bus DeviceNet :

Débit [kBit/s]	125	250	500
Longueur de câble maxi. [m]	500	250	100

La longueur de câble maxi. correspond à la longueur de câble totale de tous les câbles de branchement par nœud (de bus) et des câbles entre les nœuds. La longueur des câbles de branchement par nœud est limitée et dépend du débit en bauds utilisé (pour des informations supplémentaires, voir la documentation DeviceNet : *DeviceNet Specification Volume 1, Appendix B, cable profiles*). En cas d'utilisation du câblage CAN du PW15AHi avec les lignes CAN_In et CAN_Out, la longueur du câble de branchement jusqu'au PW15AHi est nulle. Si seule une paire de connexions est utilisée (CAN_In ou CAN_Out), la longueur de câble du PW15AHi compte comme câble de branchement.

Réglage de l'adresse

L'adresse est réglée à l'aide du bus :

DeviceNet : 1...63 (par défaut à la livraison : 63)

Réglage du débit binaire

Le débit binaire se règle via le bus à l'aide de l'utilitaire de configuration du bus de terrain. Le débit par défaut à la sortie d'usine est de 125 Kbit.

La communication DeviceNet est expliquée dans l'aide en ligne sous Description de la communication DeviceNet.

7.4 Entrée de contrôle numérique

Le signal de contrôle doit être généré entre l'entrée et GND. L'entrée peut être directement commandée via un signal logique (HCMOS). Elle tolère des tensions jusqu'à 24 V.

La commande logicielle **IMD** permet d'affecter l'entrée à diverses fonctions :

IMD0 L'état de l'entrée n'a aucune influence sur le process de mesure, mais la commande **POR?** permet de l'interroger. Ceci permet au logiciel de contrôle d'acquiescer tous types de signaux numériques (par ex. ceux des interrupteurs de fin de course) sans que l'installation de câbles et de modules E/S supplémentaires ne soit nécessaire.

IMD1 L'entrée sert d'entrée de déclenchement aux fonctions de trigger à déclencheur externe (fonction de trigger, par ex. pour les balances de contrôle).

IMD2 L'entrée sert d'entrée d'arrêt de la fonction de dosage.

Entrée	IMD0;	IMD1;	IMD2;
IN1	Interrogation via POR?	Entrée de déclenchement externe	Arrêt du dosage (BRK)

Forme du signal

La fonction de trigger réagit au flanc montant d'une impulsion de commutation.

Fonction	Entrée de contrôle
Niveau de repos	Niveau Haut ou Bas défini
Événement déclencheur	Passage Bas-Haut

Pour les données électriques, il faut tenir compte des différences entre les diverses entrées :

Propriété	Entrée de contrôle
Potentiel de référence	GND
Niveau Bas	0 ... 1 V
Niveau Haut	4 ... 24 V
Résistance d'entrée	> 10 k Ω

8 Caractéristiques techniques

Type		PW15AHi		
Classe de précision selon OIML R60		C3		
Charge nominale (E_{\max})	kg	10	20	50
Valeur min. d'un échelon (v_{\min})	g	1	2	5
Champ d'application minimal pour 3000 d	kg	3	6	15
Taille maxi. de la plateforme	mm	L = 500 x l = 400		
Nombre d'échelons de vérification (n_{LC})		3000		
Part d'erreur (p_{LC})		1		
Coefficient de température de la sensibilité (TK_C)¹⁾²⁾	% de C_n	± 0,0250		
Coefficient de température du signal zéro (TK_{SO})²⁾	/10 K	± 0,0200		
Erreur de réversibilité relative (d_{hy})¹⁾²⁾		± 0,0166		
Erreur de linéarité (d_{lin})¹⁾²⁾	% de C_n	± 0,0166		
Fluage sous charge (d_{CR}) supérieure à 30 min.		± 0,0166		
Écart d'excentricité selon OIML R76		± 0,0233		
Charge utile (E_U) pour une excentricité de 120 mm maxi.		150		
Charge limite (E_L) pour une excentricité de 20 mm maxi.	% de E_{\max}	300		
Charge dynamique admissible (F_{Srel}) pour une excentricité de 50 mm maxi.		70		
Déplacement nominal (s_{nom})	mm	< 0,2		
Tension d'alimentation :				
Tension d'alimentation UB1 (C.C.)	V	+ 12 ... +30		
Puissance absorbée	W	≤ 1,5		
Courant de démarrage	A	0,15		
Résolution du signal de mesure (filtre de 1 Hz)	Bit	20		
Vitesse de mesure	1/s	4 ... 1200		
Fréquence de coupure réglable du filtre numérique	Hz	80 ... 0,0625		
Débit en bauds (interface RS-485)	Baud	1200; 2400; 4800; 9600; 19200; 38400; 57600; 115200		
Nombre maxi. de nœuds de bus		32		
Interface CANopen		Norme CiA DS301		
Débit	Baud	10 000 ... 1 000 000		
Interface DeviceNet		Version 2.0 ODVA		
Débit	Baud	125 000 ... 500 000		
Longueur de câble maxi. (CANopen, DeviceNet)	m	≤ 5000 (10 kBaud) ... ≤ 100 (500 kBaud), ≤ 25 (1 MBaud)		
Interface série asynchrone RS-485 4 fils, longueur de câble maxi.	m	500		

Entrée de déclenchement		
Tension d'entrée admissible	V	0 ... +20
Niveau Bas	V	< 1
Niveau Haut	V	> 4
Résistance d'entrée	kΩ	10
Plage nominale de la température ambiante	°C	- 10 ... + 40
Plage utile de température	°C	- 10 ... + 50
Plage de température de stockage	°C	- 25 ... + 75
Exigences CEM		EN 45501, OIML R76 EN 61326-1/Tab. 4, Matériel de classe B EN 61326/A1, Tab. A1, Matériel utilisé dans des secteurs industriels
Degré de protection selon EN 60529		IP 68
Raccordement électrique		Embase, Sté Lumberg, 8 broches
Matériau		Acier
Poids, approx.	kg	1

- 1) Charge excentrique maxi. selon OIML R76
- 2) Ces valeurs peuvent parfois être dépassées. L'écart de la courbe caractéristique obtenu à partir de T_{KC} , de l'écart de linéarité et de l'erreur de réversibilité relative est toutefois compris dans les limites d'erreur selon OIML R 60 avec $p_{LC}=1$.
- 3) Toutes les indications d'erreur relatives se rapportent au signal de sortie à la charge nominale.

All rights reserved.

All details describe our products in general form only.

They are not to be understood as express warranty and do not constitute any liability whatsoever.

Änderungen vorbehalten.

Alle Angaben beschreiben unsere Produkte in allgemeiner Form. Sie stellen keine Beschaffenheits- oder Haltbarkeitsgarantie im Sinne des §443 BGB dar und begründen keine Haftung.

Document non contractuel.

Les caractéristiques indiquées ne décrivent nos produits que sous une forme générale. Elles n'établissent aucune assurance formelle au terme de la loi et n'engagent pas notre responsabilité.

托驰（上海）工业传感器有限公司

上海市嘉定区华江路348号1号楼707室

电话：+86 021 51069888

传真：+86 021 51069009

邮箱：zhang@yanatoo.com

网址：www.sensor-hbm.com

measure and predict with confidence

