

Mounting Instructions

Montageanleitung

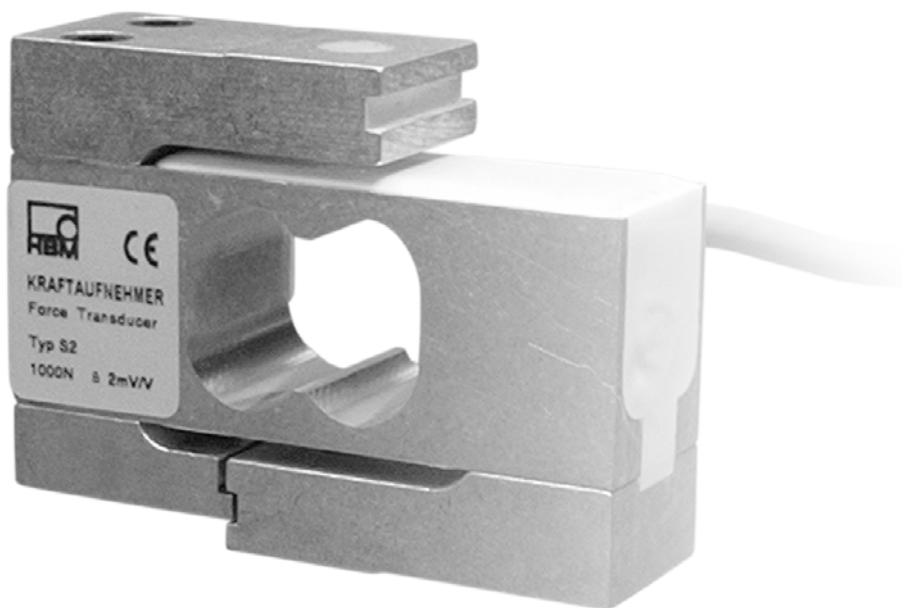
Notice de montage

Force transducer

Kraftaufnehmer

Capteur de force

S2



English **Page 3 – 19**
Deutsch **Seite 21 – 38**
Français **Page 39 – 56**

Contents	Page
Safety information	4
1 Scope of supply	8
2 General application instructions	8
3 Structure and mode of operation	9
3.1 Measuring element	9
3.2 SG cover	9
3.3 Disturbance variables	9
4 Conditions on site	10
4.1 Ambient temperature	10
4.2 Moisture and humidity	10
4.3 Deposits	10
5 Mechanical installation	12
5.1 Important precautions during installation	12
5.2 General installation guidelines	12
5.3 Installation with direct connection	13
5.4 Installation with knuckle eyes	13
6 Electrical connection	15
6.1 Connection with six-wire configuration	15
6.2 Connection with four-wire configuration	15
6.3 Shortening the cable	16
6.4 Cable extension	16
6.5 EMC protection	16
7 Specifications (VDI/VDE 2638 standards)	17
8 Dimensions	19

Safety information

Designated use

The force transducers in the type series S2 are solely designed for measuring static and dynamic tensile and/or compressive forces within the load limits specified by the technical data for the respective maximum capacities. Any other use is not the designated use.

To ensure safe operation, the regulations in the assembly and operating instructions, together with the following safety rules and regulations, and the data specified in the technical data sheets, must be complied with. It is also essential to observe the applicable legal and safety regulations for the application concerned.

The force transducers are not intended for use as safety components. Please also refer to the section: "Additional safety precautions". Proper and safe operation of the force transducer requires proper transportation, correct storage, siting and mounting, and careful operation.

Loading capacity limits

The data in the technical data sheet must be complied with when using the force transducer. In particular, the respective maximum loads specified must never be exceeded. The following limits set out in the technical data sheets must not be exceeded

- Limit loads
- Lateral load limits
- Breaking loads
- Permissible dynamic loads
- Temperature limits
- Limits of electrical loading capacity

Please note that when several force transducers are interconnected, the load/force distribution is not always uniform.

Use as a machine element

The force transducers can be used as machine elements. When used in this manner, it must be noted that, to favor greater sensitivity, the force transducer cannot be designed with the safety factors usual in mechanical engineering. Please refer here to the section "Loading capacity limits" and the technical data.

Accident prevention

The prevailing accident prevention regulations must be taken into account, even though the nominal (rated) force values in the destructive range are well in excess of the full scale value.

Additional safety precautions

The force transducers cannot (as passive transducers) implement any (safety-relevant) cutoffs. This requires additional components and constructive measures for which the installer and operator of the plant is responsible.

In cases where a breakage or malfunction of the force transducer would cause injury to persons or damage to equipment, the user must take appropriate additional safety measures that meet at least the requirements of applicable safety and accident prevention regulations (e.g. automatic emergency shutdown, overload protection, catch straps or chains, or other fall protection).

The layout of the electronics conditioning the measurement signal should be such that measurement signal failure does not cause damage.

General dangers of failing to follow the safety instructions

The force transducers are state-of-the-art and reliable. Transducers can give rise to remaining dangers if they are incorrectly operated or inappropriately mounted, installed and operated by untrained personnel. Every person involved with siting, starting-up, operating or repairing a force transducer must have read and understood the mounting instructions and in particular the technical safety instructions. The force transducers can be damaged or destroyed by non-designated use of the force transducer or by non-compliance with the mounting and operating instructions, these safety instructions or any other applicable safety regulations (BG safety and accident prevention regulations) when using the force transducers. Force transducers can break, particularly in the case of overloading. The breakage of a force transducer can also cause damage to property or injury to persons in the vicinity of the force transducer.

If force transducers are not used according to their designated use, or if the safety instructions or specifications in the mounting- and operating instructions are ignored, it is also possible that the force transducer may fail or malfunction, with the result that persons or property may be affected (due to the loads acting on or being monitored by the force transducer).

The scope of supply and performance of the transducer covers only a small area of force measurement technology, as measurements with (resistive) strain gage sensors presuppose the use of electronic signal processing. In addition, equipment planners, installers and operators should plan, implement and respond to the safety engineering considerations of force measurement

technology in such a way as to minimize remaining dangers. Prevailing regulations must be complied with at all times.

Warns of a *potentially* dangerous situation in which failure to comply with safety requirements *can* result in death or serious physical injury.

 WARNING**Description of a potentially dangerous situation**

Measures to avoid/prevent the danger

Warns of a *potentially* dangerous situation in which failure to comply with safety requirements *can* result in slight or moderate physical injury.

 CAUTION**Description of a potentially dangerous situation**

Measures to avoid/prevent the danger

Warns of a situation in which failure to comply with safety requirements *could* lead to damage to property.

NOTE

Description of a situation that could lead to damage to property

The marking below draws your attention to important information about the product or about handling the product.

 *Important*

Important information

The marking below contains application tips or other information that is useful to you.



Tip

Information/Application instructions

Conversions and modifications

The transducer must not be modified from the design or safety engineering point of view except with our express agreement. Any modification shall exclude all liability on our part for any damage resulting therefrom.

Maintenance

The S2 force transducer is maintenance free.

Disposal

In accordance with national and local environmental protection and material recovery and recycling regulations, old transducers that can no longer be used must be disposed of separately and not with normal household garbage.

If you need more information about waste disposal, please contact your local authorities or the dealer from whom you purchased the product.

Qualified personnel

Qualified personnel means persons entrusted with siting, mounting, starting up and operating the product, who possess the appropriate qualifications for their function.

This includes people who meet at least one of the three following requirements:

- Knowledge of the safety concepts of automation technology is a requirement and as project personnel, you must be familiar with these concepts
- As automation plant operating personnel, you have been instructed how to handle the machinery. You are familiar with the operation of the equipment and technologies described in this documentation
- As commissioning engineers or service engineers, you have successfully completed the training to qualify you to repair the automation systems. You are also authorized to activate, ground and label circuits and equipment in accordance with safety engineering standards.

It is also essential to comply with the legal and safety requirements for the application concerned during use. The same applies to the use of accessories.

The force transducer must only be installed by qualified personnel, strictly in accordance with the specifications and with the safety requirements and regulations listed below.

1 Scope of supply

- 1 S2 force transducer
- 1 Mounting instructions
- 1 Manufacturing certificate

Accessories (not included among the items supplied):

- Knuckle eye ZGW Order No. 1-U1R/200KG/ZGW

2 General application instructions

The S2 type series force transducers are suitable for measuring tensile and compressive forces. Because they provide highly accurate static and dynamic force measurements, they must be handled very carefully. Particular care must be taken when transporting and installing the devices. Dropping or knocking the transducers may cause permanent damage.

The potting material (sealing for protection of sensitive strain gage installations) must not be damaged otherwise the transducer will become unusable.

The specifications list the permissible limits for mechanical, thermal and electrical stress. It is essential that these are taken into account when planning the measuring set-up, during installation and ultimately, during operation.

3 Structure and mode of operation

3.1 Measuring element

The measuring element is an aluminum loaded member on which strain gages (SG) are installed. The SG are arranged so that two are stretched and the other two compressed when a force acts on the transducer.

3.2 SG cover

To protect the SG, the S2 force transducers are potted with a plastic material at an appropriate place. This is used to protect against mechanical damage.

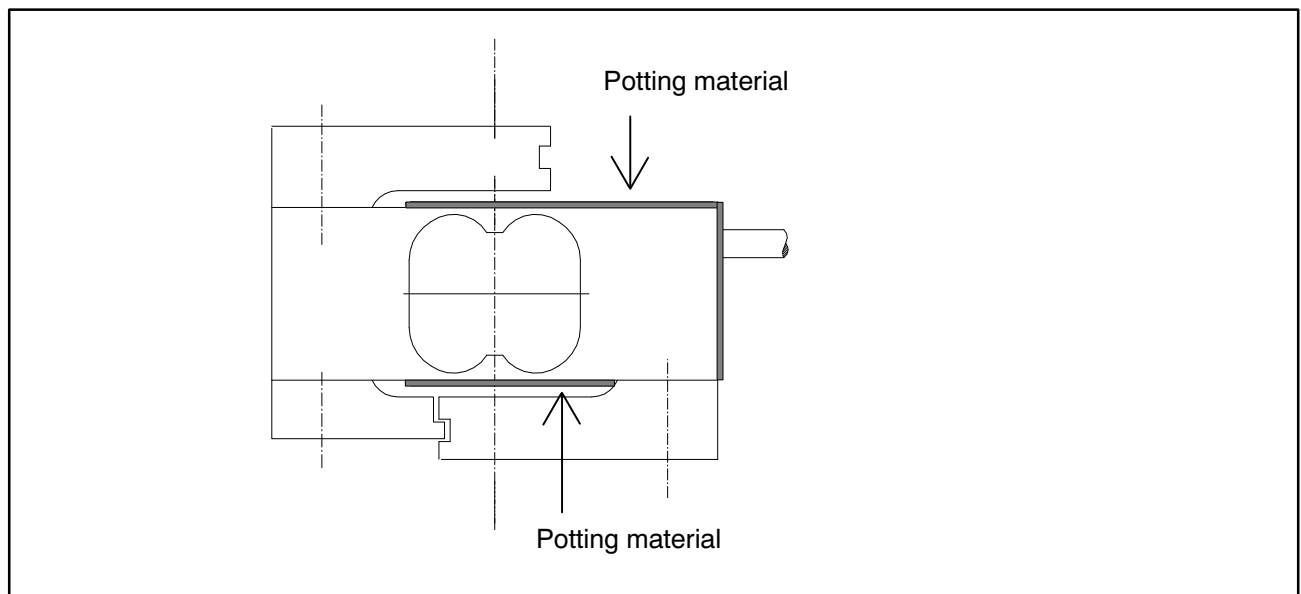


Fig 3.1: SG installation protection

3.3 Disturbance variables

Torsion, bending and lateral loads are disturbance variables and therefore to be avoided.

4 Conditions on site

Protect the transducer from weather conditions such as rain, snow, ice and salt water.

4.1 Ambient temperature

The temperature effects on the zero signal and on the sensitivity are compensated.

To obtain optimum measurement results, the nominal (rated) temperature range must be observed. Constant, or very slowly changing, temperatures are optimal. Temperature-related measurement errors are caused by heating on one side (e.g. radiant heat) or by cooling. A radiation shield and all-round thermal insulation produces noticeable improvements, but must not be allowed to set up a force shunt.

4.2 Moisture and humidity

Series S2 force transducers are protected against moisture. The transducers reach the protection class IP68 per DIN EN 60259. Nevertheless, the force transducer must be protected against permanent moisture influence.

The transducer must be protected against chemicals that could attack the aluminum, potting material or the cable.

The transducer can also malfunction due to corrosion. Implement protective measures if this danger exists.

NOTE

Moisture must not be allowed to penetrate the free end of the connection cable. Otherwise the characteristic values of the transducer could change and therefore cause measurement errors.

4.3 Deposits

Dust, dirt and other foreign matter must not be allowed to accumulate sufficiently to divert some of the force to be measured, thus invalidating the measured value (force shunt).

NOTE

Measurement errors may be the result if dust or dirt is deposited inside the load cells. The relevant areas are marked by arrows in Fig 4.1.

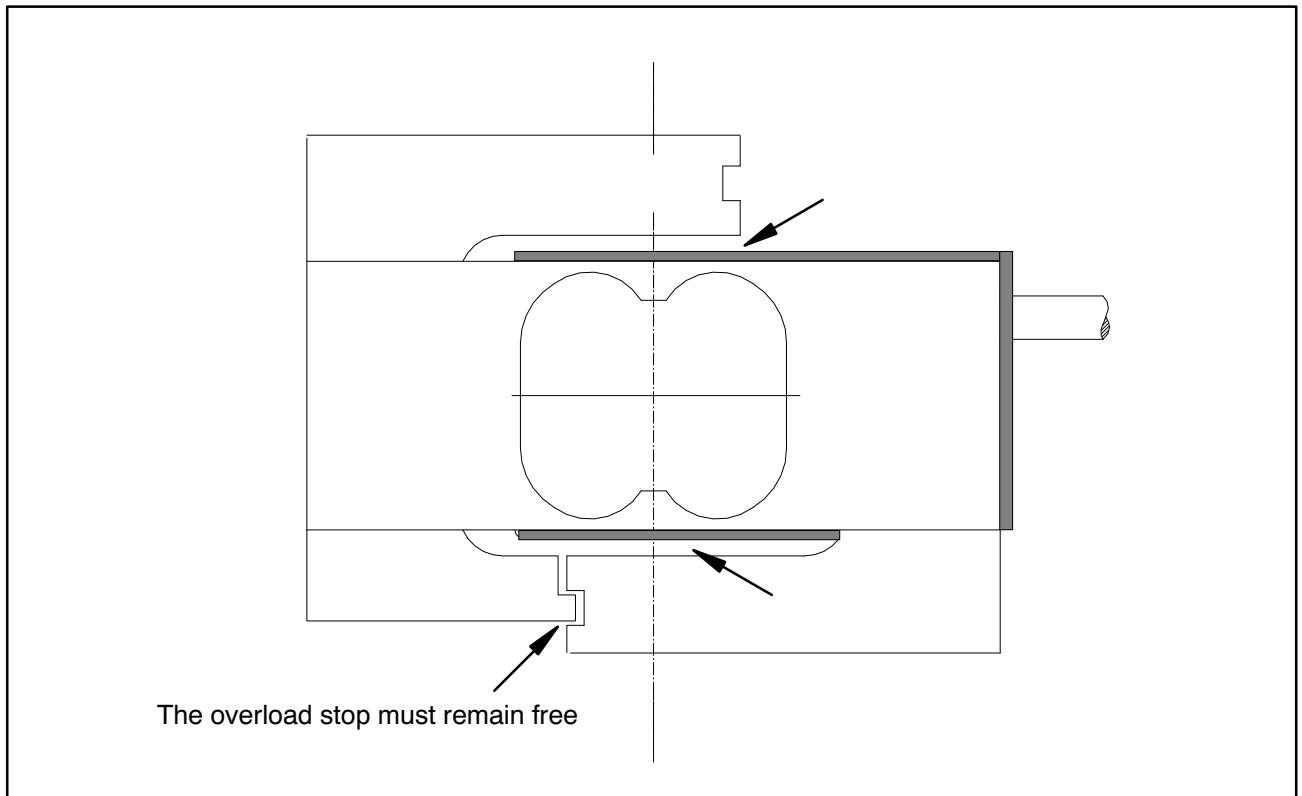


Fig 4.1: Deposits at the marked areas must be avoided

5 Mechanical installation

5.1 Important precautions during installation

- Treat the transducer carefully.
- Do not permit welding currents to flow over the transducer. If this danger exists, you must bridge the transducer electrically with a suitable low-resistance connection. HBM offers e.g. the highly flexible EEK ground cable for this purpose, which can be screwed to the top and bottom of the transducer.
- Ensure that the transducer cannot be overloaded.

WARNING

There is a danger of the transducer breaking if it is overloaded. This can cause danger for the operating personnel of the system in which the transducer is installed.

Implement appropriate safety measures to avoid overloads or to protect against resulting dangers.

5.2 General installation guidelines

The forces to be measured must act on the transducer as accurately as possible in the direction of measurement. Torsional and bending moments, eccentric loading and lateral forces may produce measurement errors and destroy the transducer, if limit values are exceeded. Interference effects must be absorbed by suitable construction elements, whereby these elements must not absorb any loads in the measuring direction of the transducer.

Important

The cable fastening side of the transducer should always be connected directly with the rigid customer-side force transfer areas. Ensure that the cable is laid so that, where possible, no force shunt is caused by the cable (e.g. through the weight or stiffness of the cable).

5.3 Installation with direct connection

In this mounting variant, the transducer is mounted with tension/compression bars on a construction element and can then be measured in the tensile and compressive directions. Alternating loads are also correctly recorded if the transducer is mounted without axial play. For dynamic alternating loads, the upper and lower threaded connectors must be pre-stressed to above the maximum working force and then locked in place.

Installation and locking with initial stress (recommended mounting variant)

1. Screw in the threaded connector.
2. Load the transducer with 110% of the force that will occur during subsequent operation in the tensile direction.
3. Tighten the locknut by hand.
4. Relieve the transducer.

Installation and locking with torque

1. Screw in the threaded connector.
2. Tighten the locknut with a torque of 15 Nm.

NOTE

When locking, the tightening torque must not be shunted through the transducer.

5.4 Installation with knuckle eyes

Knuckle eyes prevent the application of torsional moments and, where 2 knuckle eyes are used, bending moments, together with lateral and oblique loads in the transducer. They are suitable for use with quasi-static loads (load cycles ≤ 10 Hz). Pliable tension/compression bars should be used for dynamic loads with higher frequencies.

NOTE

Do not undo any threaded connectors marked with "A" as this could otherwise irreversibly damage the transducer.

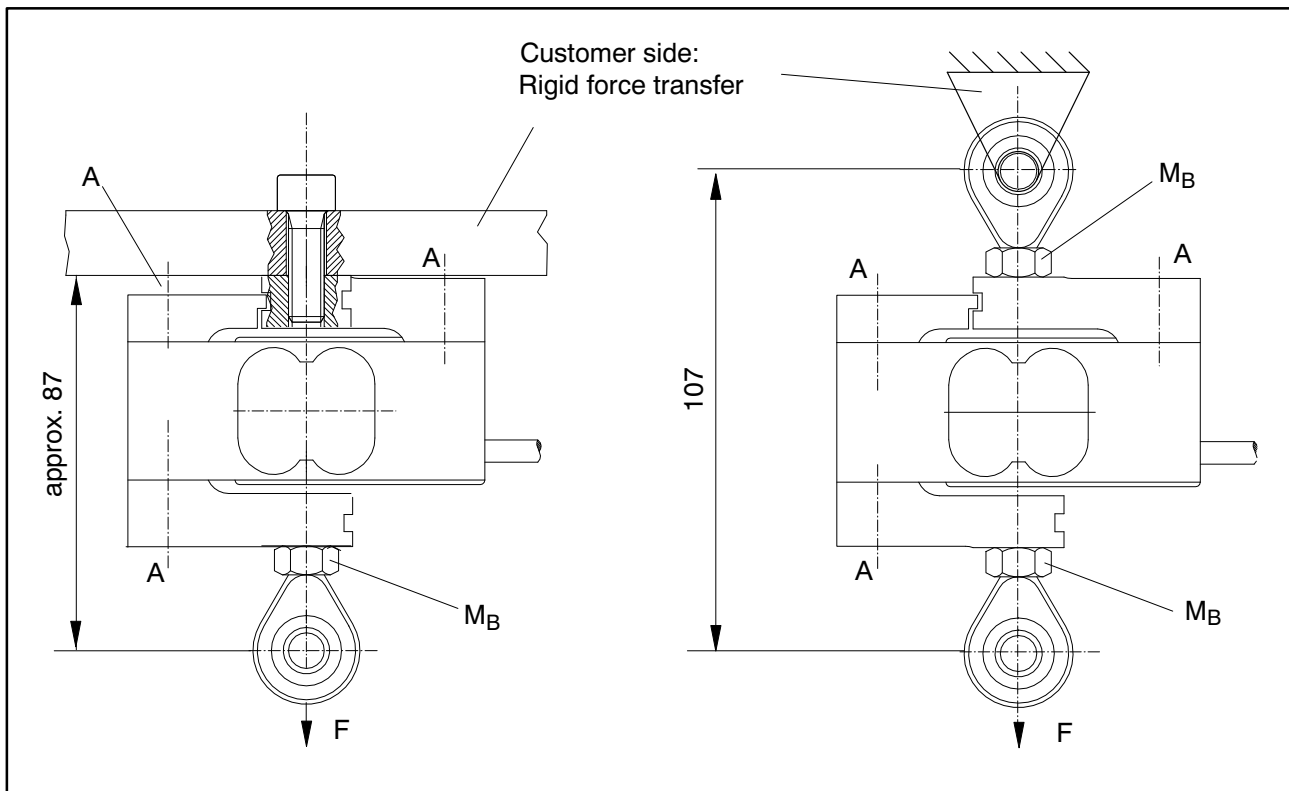


Fig 5.1: Installation with knuckle eyes

Installation and locking with initial stress (recommended mounting variant)

1. Rotate the locknut back to the eye.
2. Screw the knuckle eye completely into the transducer.
3. Unscrew the knuckle eye 1 to 2 threads and align.
4. Load the transducer with 110% of the force that will occur during subsequent operation in the tensile direction.
5. Tighten the locknut by hand.
6. Relieve the transducer.

Installation and locking with torque

1. Rotate the locknut back to the eye.
2. Screw the knuckle eye completely into the transducer.
3. Align the knuckle eye.
4. Tighten the locknut with a torque of 15 Nm.

NOTE

When locking, the tightening torque must not be shunted through the transducer.

6 Electrical connection

The following can be connected for measurement signal conditioning:

- Carrier-frequency amplifier
- DC amplifier

designed for strain gage measurement systems.

The S2 force transducer is delivered with a six-wire configuration.

6.1 Connection with six-wire configuration

The transducer is delivered with a 3 m cable with free ends as standard.

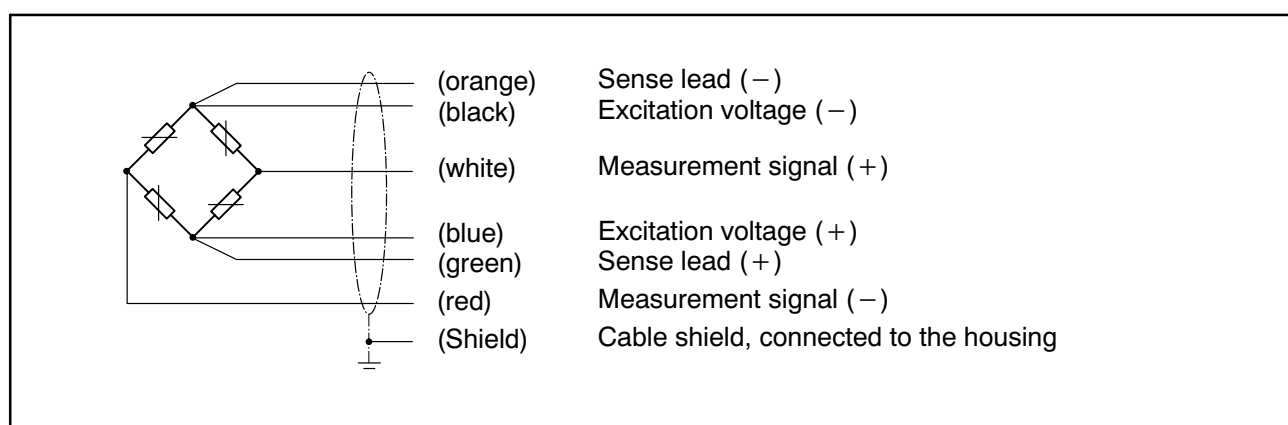


Fig 6.1: Pin assignment in six-wire configuration

With this cable assignment, the output voltage at the measuring amplifier is positive in the tensile direction when the transducer is loaded.

The connection cable shielding is connected to the transducer housing. Transducers with free cable ends must be fitted with connectors complying with the EMC guidelines. The shielding must be connected extensively. With other connection techniques, an EMC-proof screen should be applied in the wire area and this screen should also be connected extensively (see also HBM Greenline Information, brochure i1577).

6.2 Connection with four-wire configuration

When transducers with a six-wire configuration are connected to amplifiers with a four-wire configuration, the sense leads of the transducer must be connected to the corresponding supply leads: Identification (+) with (+) and identification (-) with (-), see Fig 6.1. This measure also reduces the cable resistance of the excitation voltage leads. However, there will be a voltage loss on the supply leads due to the cable resistance that is still present and not compensated for by the six-wire configuration. A large part of this loss can be

eliminated by a calibration, however, the temperature-dependent part remains. The TK_c value given in the specifications for the transducer therefore does not apply for the cable and transducer combination when connection is with four-wire configuration, the cable percentage must be added.

6.3 Shortening the cable

As the transducer connection uses a six-wire configuration, you can shorten the 6-wire transducer cable without affecting the measurement accuracy.

6.4 Cable extension

The cable of a six-wire force transducer can be extended with a cable of the same type.

Only use shielded, low-capacitance measurement cables for extension. Ensure that connection is perfect, with a low contact resistance.

6.5 EMC protection

Electrical and magnetic fields often induce interference voltages in the measuring circuit. Therefore:

- Use shielded, low-capacitance measurement cables only (HBM cables fulfill both conditions)
- Do not route the measurement cables parallel to power lines and control circuits. If this is not possible, protect the measurement cable with e. g. steel conduit.
- Avoid stray fields from transformers, motors and contact switches.
- Do not ground the transducer, amplifier and indicator more than once.
- Connect all devices in the measurement chain to the same grounded conductor.

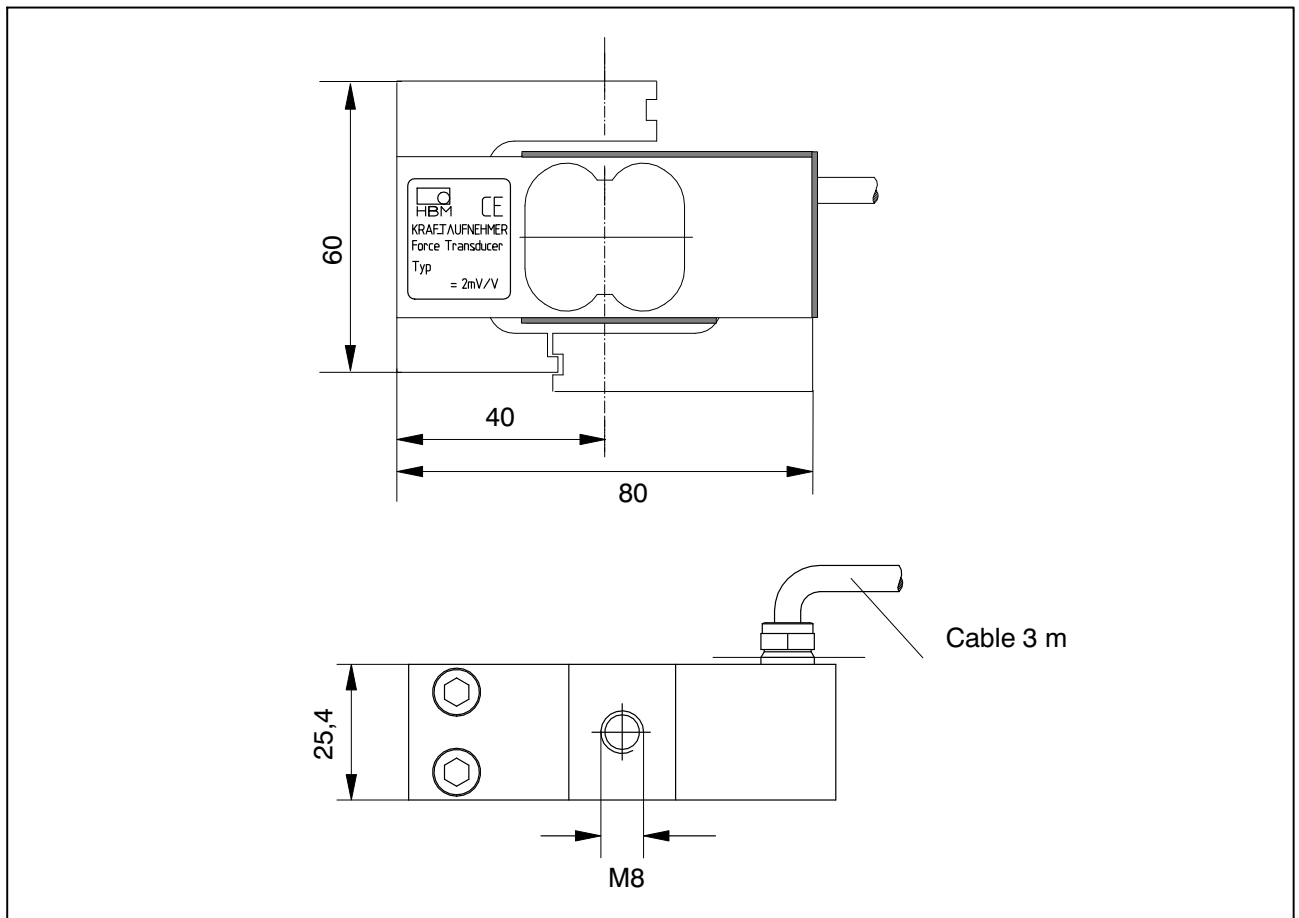
7 Specifications (VDI/VDE 2638 standards)

Type			p 2					
Nominal (rated) force	F_{nom}	N	20	50	100	200	500	1000
Accuracy class			0.05					
Nominal (rated) sensitivity	C_{nom}	mV/V	2					
Relative sensitivity error (pressure)	d_c	%	< ± 0.25					
Rel. tensile/compression sensitivity variation	d_{zd}	%	< ± 0.1					
Relative zero signal error	$d_{s,0}$	%	<8	<6	<5			
Relative reversibility error (0.2 F_{nom} to F_{nom})	u	%	<0.1					
Linearity error	d_{lin}	%	<0.05					
Effect of temperature on sensitivity per 10 K (related to sensitivity)	TK_c	%	<0.05					
Temperature effect on the zero signal/10 K (related to sensitivity)	TK_0	%	<0.05					
Effect of eccentricity per 1mm	d_E	%	< ± 0.1					
Effect of lateral forces ¹⁾ Lateral force 10 % F_{nom}	d_Q	%	< ± 0.1					
Relative creep over 30 min.	d_{crF+E}	%	< ± 0.05					
Input resistance	R_i	Ω	>345					
Output resistance	R_o	Ω	300 – 500					
Insulation resistance	R_{is}	Ω	>2 x 10 ⁹					
Reference excitation voltage	U_{ref}	V	5					
Operating range of excitation voltage	$B_{U,GT}$	V	0.5 ... 12					
Nominal (rated) temperature range	$B_{t,nom}$	°C	+10 ... +70					
Operating temperature range	$B_{t,G}$	°C	-10 ... +70					
Storage temperature range	$B_{t,S}$	°C	-30 ... +85					
Reference temperature	t_{ref}	°C	+23					
Max. operating force	(F_G)	%	120			150		
Limit force	(F_L)	%	<900				<600	<300
Breaking force	(F_B)	%	>1000				>700	>400
Limit torque	(M_d)	N·m	0.6	1.5	3	6	15	15
Static lateral limit force ¹⁾	(F_Q)	%	50	100				50
Nominal (rated) displacement	S_{nom}	mm	<0.4					
Fundamental resonance frequency	f_G	kHz	0.29	0.49	0.76	1.09	1.81	2.45

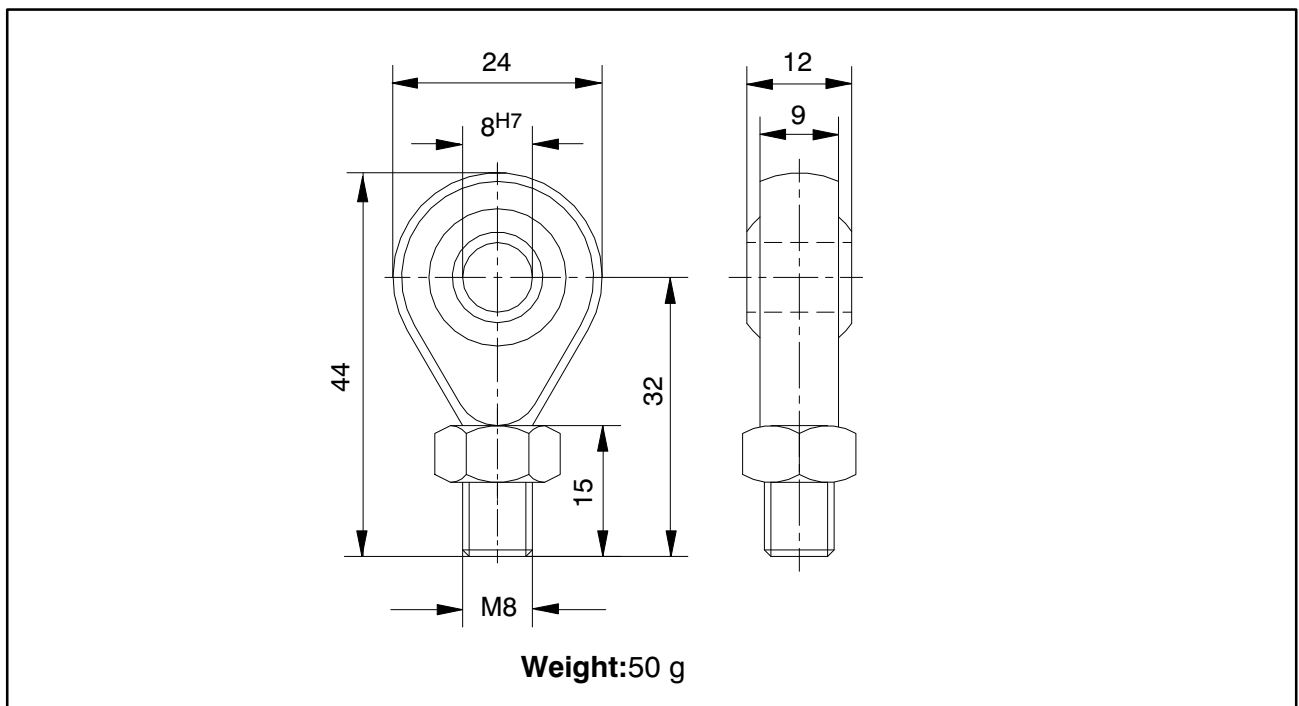
Nominal (rated) force	F_{nom}	N	20	50	100	200	500	1000
Relative permissible oscillatory stress	F_{rb}	%	± 70					
Weight		kg	approx. 0.4					
Degree of protection per DIN 60529			IP65					
Materials: Measuring body Potting material (SG cover) Screwed cable gland Cable sheath			Aluminum Silicone rubber Stainless steel / Perbunan seal PVC					
Cable length, six-wire configuration		m	3					

¹⁾ relative to a point of contact on the force application surface

8 Dimensions



Knuckle eye 1-U1/200KG/ZGW



Inhalt	Seite
Sicherheitshinweise	22
1 Lieferumfang	27
2 Allgemeine Anwendungshinweise	27
3 Aufbau und Wirkungsweise	28
3.1 Messelement	28
3.2 DMS-Abdeckung	28
3.3 Störgrößen	28
4 Bedingungen am Einsatzort	29
4.1 Umgebungstemperatur	29
4.2 Feuchtigkeit	29
4.3 Ablagerung	29
5 Mechanischer Einbau	31
5.1 Wichtige Vorkehrungen beim Einbau	31
5.2 Allgemeine Einbaurichtlinien	31
5.3 Einbau mit direkter Verschraubung	32
5.4 Einbau mit Gelenkösen	32
6 Elektrischer Anschluss	34
6.1 Anschluss in Sechsheiter-Technik	34
6.2 Anschluss in Vierleiter-Technik	34
6.3 Kabelkürzung	35
6.4 Kabelverlängerung	35
6.5 EMV-Schutz	35
7 Technische Daten (VDI/VDE 2638)	36
8 Abmessungen	38

Sicherheitshinweise

Bestimmungsgemäßer Gebrauch

Die Kraftaufnehmer der Typenreihe S2 sind ausschließlich für die Messung statischer und dynamischer Zug- und/oder Druckkräfte im Rahmen der durch die technischen Daten spezifizierten Belastungsgrenzen konzipiert. Jeder andere Gebrauch ist nicht bestimmungsgemäß.

Zur Gewährleistung eines sicheren Betriebes sind die Vorschriften der Montage- und Betriebsanleitung sowie die nachfolgenden Sicherheitsbestimmungen und die in den technischen Datenblättern mitgeteilten Daten unbedingt zu beachten. Zusätzlich sind die für den jeweiligen Anwendungsfall zu beachtenden Rechts- und Sicherheitsvorschriften zu beachten.

Die Kraftaufnehmer sind nicht zum Einsatz als Sicherheitsbauteile bestimmt. Bitte beachten Sie hierzu den Abschnitt „Zusätzliche Sicherheitsvorkehrungen“. Der einwandfreie und sichere Betrieb der Kraftaufnehmer setzt sachgemäßen Transport, fachgerechte Lagerung, Aufstellung und Montage sowie sorgfältige Bedienung voraus.

Belastbarkeitsgrenzen

Beim Einsatz der Kraftaufnehmer sind die Angaben in den technischen Datenblättern unbedingt zu beachten. Insbesondere dürfen die jeweils angegebenen Maximalbelastungen keinesfalls überschritten werden. Nicht überschritten werden dürfen die in den technischen Datenblättern angegebenen

- Grenzlaster
- Grenzquerlasten
- Bruchlasten
- Zulässigen dynamische Belastungen
- Temperaturgrenzen
- Grenzen der elektrischen Belastbarkeit

Beachten Sie bei der Zusammenschaltung mehrerer Kraftaufnehmer, dass die Last-/Kraftverteilung nicht immer gleichmäßig ist.

Einsatz als Maschinenelemente

Die Kraftaufnehmer können als Maschinenelemente eingesetzt werden. Bei dieser Verwendung ist zu beachten, dass die Kraftaufnehmer zu Gunsten einer hohen Messempfindlichkeit nicht mit den im Maschinenbau üblichen Sicherheitsfaktoren konstruiert wurden. Beachten Sie hierzu den Abschnitt „Belastbarkeitsgrenzen“ und die technischen Daten.

Unfallverhütung

Obwohl die angegebene Nennkraft im Zerstörungsbereich ein Mehrfaches vom Messbereichsendwert beträgt, müssen die einschlägigen Unfallverhütungsvorschriften der Berufsgenossenschaften berücksichtigt werden.

Zusätzliche Sicherheitsvorkehrungen

Die Kraftaufnehmer können (als passive Aufnehmer) keine (sicherheitsrelevanten) Abschaltungen vornehmen. Dafür bedarf es weiterer Komponenten und konstruktiver Vorkehrungen, für die der Errichter und Betreiber der Anlage Sorge zu tragen hat.

Falls bei Bruch oder Fehlfunktion der Kraftaufnehmer Menschen oder Sachen zu Schaden kommen können, müssen vom Anwender geeignete zusätzliche Sicherheitsvorkehrungen getroffen werden, die zumindest den Anforderungen der einschlägigen Unfallverhütungsvorschriften genügen (z. B. automatische Notabschaltungen, Überlastsicherungen, Fangflaschen oder -ketten oder andere Absturzsicherungen).

Die das Messsignal verarbeitende Elektronik ist so zu gestalten, dass bei Ausfall des Messsignals keine Folgeschäden auftreten können.

Allgemeine Gefahren bei Nichtbeachten der Sicherheitshinweise

Die Kraftaufnehmer entsprechen dem Stand der Technik und sind betriebssicher. Von den Aufnehmern können Gefahren ausgehen, wenn sie von ungeschultem Personal oder unsachgemäß montiert, aufgestellt, eingesetzt und bedient werden. Jede Person, die mit Aufstellung, Inbetriebnahme, Betrieb oder Reparatur eines Kraftaufnehmers beauftragt ist, muss die Montageanleitung und insbesondere die sicherheitstechnischen Hinweise gelesen und verstanden haben. Bei nicht bestimmungsgemäßem Gebrauch der Kraftaufnehmer, bei Nichtbeachtung der Montage- und Bedienungsanleitung, dieser Sicherheitshinweise oder sonstiger einschlägiger Sicherheitsvorschriften (Unfallverhütungsvorschriften der BG) beim Umgang mit den Kraftaufnehmern, können die Kraftaufnehmer beschädigt oder zerstört werden. Insbesondere bei Überlastungen kann es zum Bruch von Kraftaufnehmern kommen. Durch den Bruch eines Kraftaufnehmers können darüber hinaus Sachen oder Personen in der Umgebung des Kraftaufnehmers zu Schaden kommen.

Werden Kraftaufnehmer nicht ihrer Bestimmung gemäß eingesetzt, oder werden die Sicherheitshinweise oder die Vorgaben der Montage- oder Bedienungsanleitung außer Acht gelassen, kann es ferner zum Ausfall oder zu Fehlfunktionen der Kraftaufnehmer kommen, mit der Folge, dass (durch auf die Kraftaufnehmer einwirkende oder durch diese überwachte Lasten) Menschen oder Sachen zu Schaden kommen können.

Der Leistungs- und Lieferumfang des Aufnehmers deckt nur einen Teilbereich der Kraftmesstechnik ab, da Messungen mit (resistiven) DMS-Sensoren eine elektronische Signalverarbeitung voraussetzen. Sicherheitstechnische Belange der Kraftmesstechnik sind zusätzlich vom Anlagenplaner/Ausrüster/Betreiber so zu planen, zu realisieren und zu verantworten, dass Restgefahren minimiert werden. Jeweils existierende Vorschriften sind zu beachten.

Die folgende Kennzeichnung weist auf eine *mögliche* gefährliche Situation hin, die – wenn die Sicherheitsbestimmungen nicht beachtet werden – Tod oder schwere Körperverletzung zur Folge *haben kann*.

 WARNUNG**Beschreibung einer möglicherweise gefährlichen Situation**

Maßnahmen zur Vermeidung/Abwendung der Gefahr

Die folgende Kennzeichnung weist auf eine *mögliche* gefährliche Situation hin, die – wenn die Sicherheitsbestimmungen nicht beachtet werden – leichte oder mittlere Körperverletzung zur Folge *haben kann*.

 VORSICHT**Beschreibung einer möglicherweise gefährlichen Situation**

Maßnahmen zur Vermeidung/Abwendung der Gefahr

Die folgende Kennzeichnung weist auf eine Situation hin, die – wenn die Sicherheitsbestimmungen nicht beachtet werden – Sachschäden zur Folge *haben kann*.

HINWEIS

Beschreibung einer Situation, die zu Sachschäden führen kann

Die folgende Kennzeichnung weist auf wichtige Informationen zum Produkt oder zur Handhabung des Produktes hin.



Wichtig

Wichtige Hinweise

Die folgende Kennzeichnung enthält Anwendungstipps oder andere für Sie nützliche Informationen.



Tipp

Information/Anwendungshinweis

Umbauten und Veränderungen

Der Aufnehmer darf ohne unsere ausdrückliche Zustimmung weder konstruktiv noch sicherheitstechnisch verändert werden. Jede Veränderung schließt eine Haftung unsererseits für daraus resultierende Schäden aus.

Wartung

Der Kraftaufnehmer S2 ist wartungsfrei.

Entsorgung

Nicht mehr gebrauchsfähige Aufnehmer sind gemäß den nationalen und örtlichen Vorschriften für Umweltschutz und Rohstoffrückgewinnung getrennt von regulärem Hausmüll zu entsorgen.

Falls Sie weitere Informationen zur Entsorgung benötigen, wenden Sie sich bitte an die örtlichen Behörden oder an den Händler, bei dem Sie das Produkt erworben haben.

Qualifiziertes Personal

Qualifiziertes Personal sind Personen, die mit Aufstellung, Montage, Inbetriebsetzung und Betrieb des Produktes vertraut sind und die über die ihrer Tätigkeit entsprechende Qualifikationen verfügen.

Dazu zählen Personen, die mindestens eine der drei folgenden Voraussetzungen erfüllen:

- Ihnen sind die Sicherheitskonzepte der Automatisierungstechnik bekannt und Sie sind als Projektpersonal damit vertraut.
- Sie sind Bedienungspersonal der Automatisierungsanlagen und im Umgang mit den Anlagen unterwiesen. Sie sind mit der Bedienung der in dieser Dokumentation beschriebenen Geräten und Technologien vertraut.

- Sie sind Inbetriebnehmer oder für den Service eingesetzt und haben eine Ausbildung absolviert, die Sie zur Reparatur der Automatisierungsanlagen befähigt. Außerdem haben Sie eine Berechtigung, Stromkreise und Geräte gemäß den Normen der Sicherheitstechnik in Betrieb zu nehmen, zu erden und zu kennzeichnen.

Bei der Verwendung sind zusätzlich die für den jeweiligen Anwendungsfall erforderlichen Rechts- und Sicherheitsvorschriften zu beachten. Sinngemäß gilt dies auch bei Verwendung von Zubehör.

Der Kraftaufnehmer ist nur von qualifiziertem Personal ausschließlich entsprechend der technischen Daten in Zusammenhang mit den Sicherheitsbestimmungen und Vorschriften einzusetzen.

1 Lieferumfang

- 1 Kraftaufnehmer S2
- 1 Montageanleitung
- 1 Prüfprotokoll

Zubehör (nicht im Lieferumfang enthalten):

- Gelenköse ZGW Bestellnr. 1-U1R/200KG/ZGW

2 Allgemeine Anwendungshinweise

Die Kraftaufnehmer der Typenreihe S2 sind für Messungen von Zug- und Druckkräften geeignet. Sie messen statische und dynamische Kräfte mit hoher Genauigkeit und verlangen daher eine umsichtige Handhabung. Besondere Aufmerksamkeit erfordern hierbei Transport und Einbau. Stöße oder Stürze können zu permanenten Schäden am Aufnehmer führen.

Die Vergussmasse (Abdichtung zum Schutz der empfindlichen Dehnungsmessstreifeninstallation) darf nicht beschädigt werden, sonst wird der Aufnehmer unbrauchbar.

Die Grenzen für die zulässigen mechanischen, thermischen und elektrischen Beanspruchungen sind in den Technischen Daten aufgeführt. Bitte berücksichtigen Sie diese unbedingt bei der Planung der Messanordnung, beim Einbau und letztendlich im Betrieb.

3 Aufbau und Wirkungsweise

3.1 Messelement

Das Messelement ist ein Biegebalken aus Aluminium, auf dem Dehnungsmessstreifen (DMS) installiert sind. Die DMS sind so angeordnet, dass zwei von ihnen gedehnt und die zwei anderen gestaucht werden, wenn auf den Aufnehmer eine Kraft einwirkt.

3.2 DMS-Abdeckung

Zum Schutz der DMS sind die Kraftaufnehmer S2 an entsprechender Stelle mit einer Kunststoffmasse vergossen. Diese ist vor mechanischen Beschädigungen zu schützen.

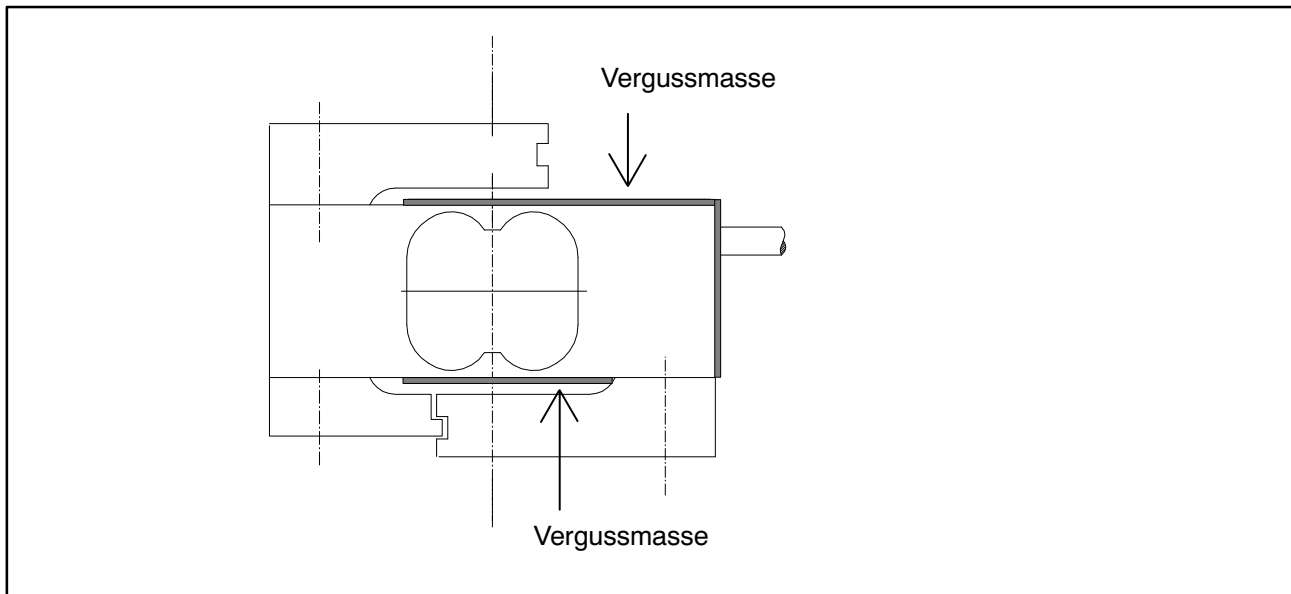


Abb. 3.1: Schutz der DMS-Installation

3.3 Störgrößen

Torsion, Biegung und Querlast sind Störgrößen und daher zu vermeiden.

4 Bedingungen am Einsatzort

Schützen Sie den Aufnehmer vor Witterungseinflüssen wie beispielsweise Regen, Schnee, Eis und Salzwasser.

4.1 Umgebungstemperatur

Die Temperatureinflüsse auf das Nullsignal sowie auf den Kennwert sind kompensiert.

Um optimale Messergebnisse zu erzielen, ist der Nenntemperaturbereich einzuhalten. Optimal sind konstante, allenfalls langsam veränderliche Temperaturen. Temperaturbedingte Messfehler entstehen durch einseitige Erwärmung (z. B. Strahlungswärme) oder Abkühlung. Ein Strahlungsschild und allseitige Wärmedämmung bewirken merkbare Verbesserungen. Sie dürfen aber keinen Kraftnebenschluss bilden.

4.2 Feuchtigkeit

Kraftaufnehmer der Serie S2 sind gegen Feuchtigkeit geschützt. Die Aufnehmer erreichen die Schutzklasse IP65 nach DIN EN 60259. Trotzdem muss der Kraftaufnehmer gegen dauerhafte Feuchteinwirkung geschützt werden.

Der Aufnehmer muss gegen Chemikalien geschützt werden, die das Aluminium, die Vergussmasse oder das Kabel angreifen.

Auch durch Korrosion kann der Aufnehmer ausfallen. Treffen sie Schutzmaßnahmen, falls diese Gefahr besteht.

HINWEIS

In das freie Ende des Anschlusskabels darf keine Feuchtigkeit eindringen. Andernfalls können sich die Kennwerte des Aufnehmers verändern und damit Fehlmessungen verursachen.

4.3 Ablagerung

Staub, Schmutz und andere Fremdkörper dürfen sich nicht so ansammeln, dass sie einen Teil der zu messenden Kraft umleiten und dadurch den Messwert verfälschen (Kraftnebenschluss).

HINWEIS

Fehlmessungen können die Folge sein, wenn sich Staub oder Schmutz in den Wägezellen ablagern. Die betreffenden Stellen sind in Abb. 4.1 mit Pfeilen markiert.

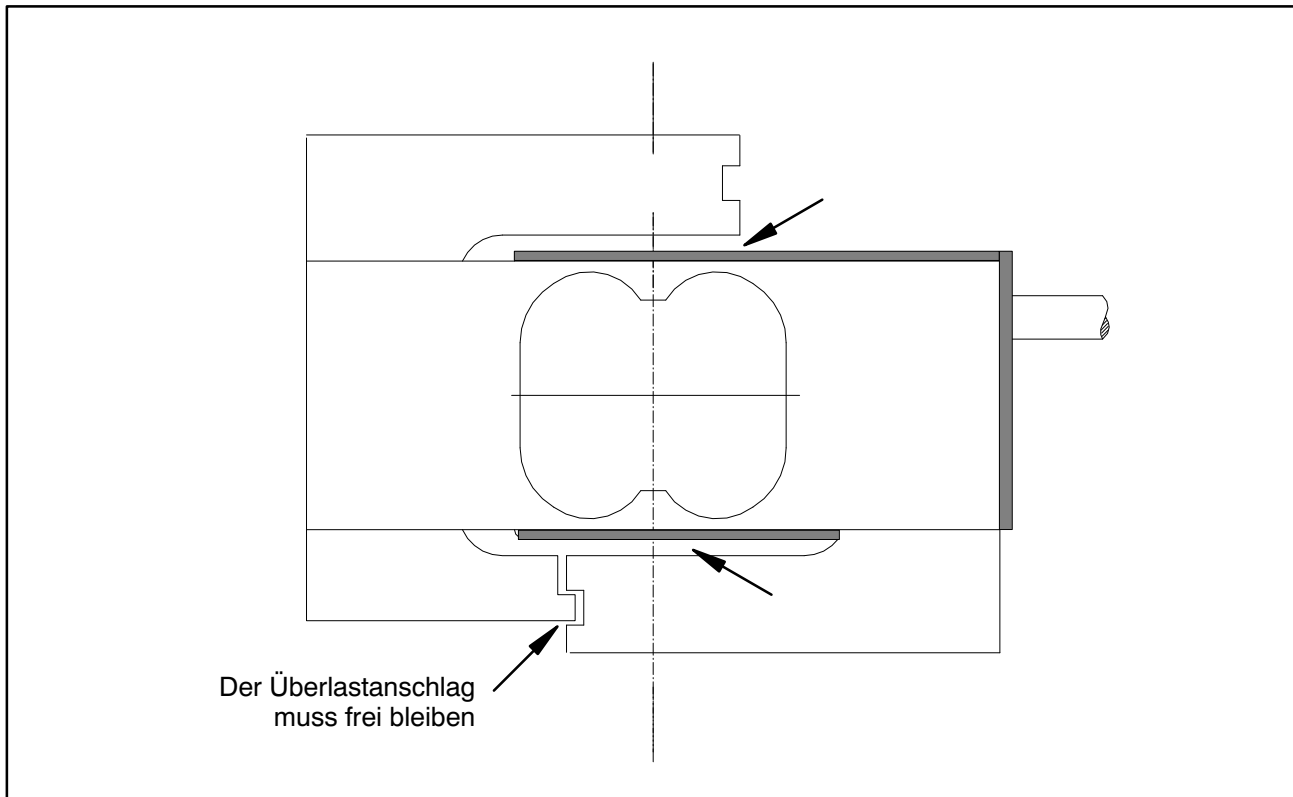


Abb. 4.1: Ablagerungen an den gekennzeichneten Stellen sind zu vermeiden

5 Mechanischer Einbau

5.1 Wichtige Vorkehrungen beim Einbau

- Behandeln Sie den Aufnehmer schonend.
- Es dürfen keine Schweißströme über den Aufnehmer fließen. Sollte diese Gefahr bestehen, so müssen Sie den Aufnehmer mit einer geeigneten niederohmigen Verbindung elektrisch überbrücken. Hierzu bietet z. B. HBM das hochflexible Erdungskabel EEK an, das oberhalb und unterhalb des Aufnehmers angeschraubt wird.
- Stellen Sie sicher, dass der Aufnehmer nicht überlastet werden kann.



WARNUNG

Bei einer Überlastung des Aufnehmers besteht die Gefahr, dass der Aufnehmer bricht. Dadurch können Gefahren für das Bedienpersonal der Anlage auftreten, in die der Aufnehmer eingebaut ist.

Treffen Sie geeignete Sicherungsmaßnahmen zur Vermeidung einer Überlastung oder zur Sicherung gegen sich daraus ergebende Gefahren.

5.2 Allgemeine Einbaurichtlinien

Die zu messenden Kräfte müssen möglichst genau in Messrichtung auf den Aufnehmer wirken. Torsions- und Biegemomente, außermittige Belastungen und Querkräfte können zu Messfehlern führen und bei Überschreitung der Grenzwerte den Aufnehmer zerstören. Störeinflüsse müssen durch geeignete Konstruktionselemente abgefangen werden, wobei diese Elemente keine Kräfte in Messrichtung des Aufnehmers aufnehmen dürfen.



Wichtig

Die Kabelbefestigungsseite des Aufnehmers sollte immer direkt mit den starren kundenseitigen Kraftausleitungsbereichen verbunden sein. Achten Sie darauf, dass das Kabel so verlegt wird, dass möglichst kein Kraftnebenschluss durch das Kabel verursacht wird (z. B. durch das Gewicht oder die Steifigkeit des Kabels).

5.3 Einbau mit direkter Verschraubung

Bei dieser Montagevariante wird der Aufnehmer mittels Zug-/Druckstäben an ein Konstruktionselement montiert und kann in Zug- und in Druckrichtung messen. Auch Wechsellasten werden korrekt erfasst, wenn der Aufnehmer ohne axiales Spiel montiert ist. Für dynamische Wechsellasten müssen die oberen und unteren Gewindeanschlussstücke bis über die maximale Betriebskraft vorgespannt und dann gekontert werden.

Einbau und Kontern mittels Vorspannung (empfohlene Montagevariante)

5. Schrauben Sie das Anschlussgewinde ein.
6. Belasten Sie den Aufnehmer mit 110% der im späteren Betrieb auftretenden Kraft in Zugrichtung.
7. Ziehen Sie die Kontermutter handfest an.
8. Entlasten Sie den Aufnehmer.

Einbau und Kontern mittels Drehmoment

1. Schrauben Sie das Anschlussgewinde ein.
2. Ziehen Sie die Kontermutter mit einem Drehmoment von 15 Nm an.

HINWEIS

Beim Kontern darf das Anzugsmoment keinesfalls durch den Aufnehmer hindurch geleitet werden.

5.4 Einbau mit Gelenkösen

Gelenkösen verhindern die Einleitung von Torsionsmomenten und – bei Verwendung von zwei Gelenkösen – auch von Biegemomenten sowie Quer- und Schrägbelastungen in den Aufnehmer. Sie eignen sich für den Einsatz bei quasistatischer Belastung (Lastwechsel ≤ 10 Hz). Bei dynamischer Belastung mit höherer Frequenz sollten biegeeweiche Zug-/Druckstäbe eingesetzt werden.

HINWEIS

Lösen Sie nicht die mit „A“ bezeichneten Schrauben, der Aufnehmer könnte sonst irreparabel geschädigt werden.

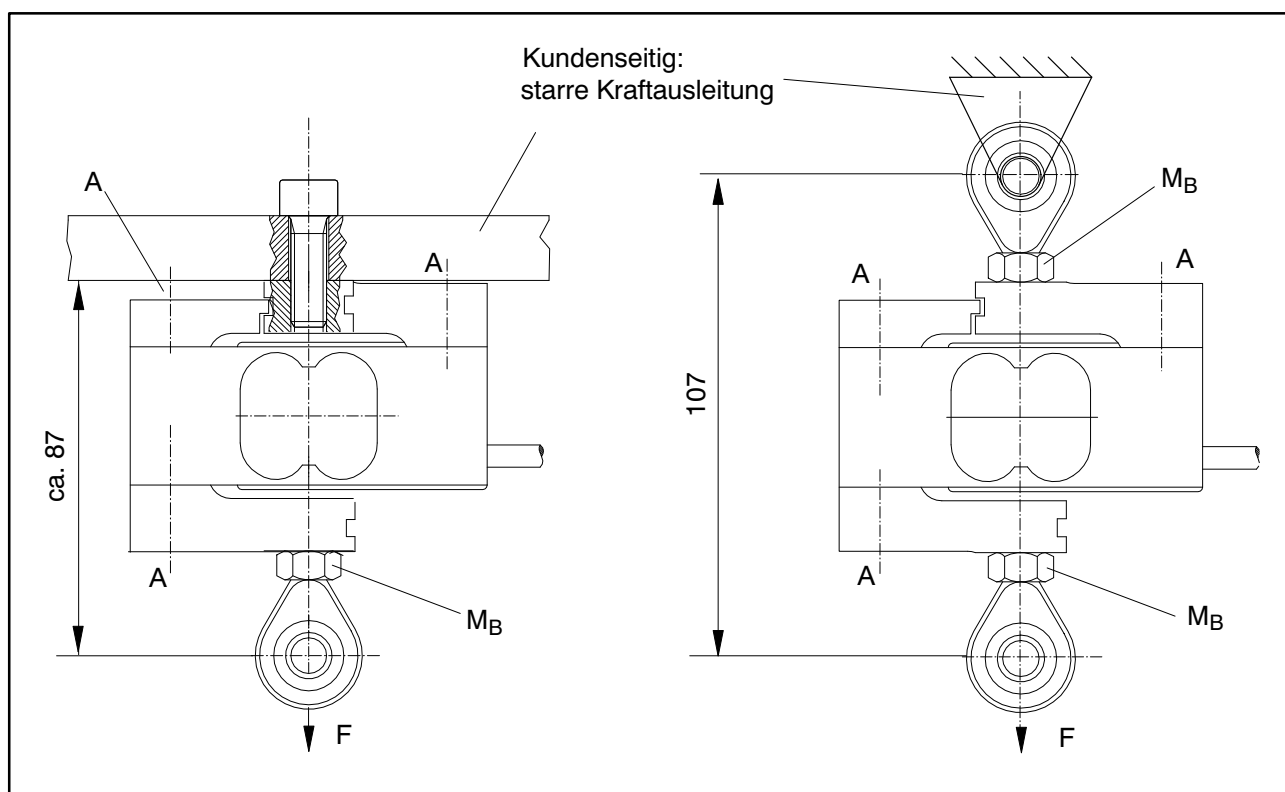


Abb. 5.1: Einbau mit Gelenkösen

Einbau und Kontern mittels Vorspannung (empfohlene Montagevariante)

1. Drehen Sie die Kontermutter bis zur Öse zurück.
2. Schrauben Sie die Gelenköse komplett in den Aufnehmer ein.
3. Drehen Sie die Gelenköse wieder 1 bis 2 Gewindegänge heraus und richten Sie sie aus.
4. Belasten Sie den Aufnehmer mit 110% der im späteren Betrieb auftretenden Kraft in Zugrichtung.
5. Ziehen Sie die Kontermutter handfest an.
6. Entlasten Sie den Aufnehmer.

Einbau und Kontern mittels Drehmoment

1. Drehen Sie die Kontermutter bis zur Öse zurück.
2. Schrauben Sie die Gelenköse komplett in den Aufnehmer ein.
3. Richten Sie die Gelenköse aus.
4. Ziehen Sie die Kontermutter mit einem Drehmoment von 15 Nm an.

HINWEIS

Beim Kontern darf das Anzugsmoment keinesfalls durch den Aufnehmer hindurch geleitet werden.

6 Elektrischer Anschluss

Zur Messsignalverarbeitung können angeschlossen werden:

- Trägerfrequenz-Messverstärker
- Gleichspannungs-Messverstärker

die für DMS-Messsysteme ausgelegt sind.

Der Kraftaufnehmer S2 wird mit Sechseiter-Technik ausgeliefert.

6.1 Anschluss in Sechseiter-Technik

Der Aufnehmer wird mit einem 3 m langen Kabel mit freien Enden geliefert.



Abb. 6.1: Anschlussbelegung in Sechseiter-Schaltung

Bei dieser Kabelbelegung ist bei Belastung des Aufnehmers in Zugrichtung die Ausgangsspannung am Messverstärker positiv.

Der Schirm des Anschlusskabels ist mit dem Aufnehmergehäuse verbunden. An Aufnehmer mit freiem Kabelende sind Stecker zu montieren, die den EMV-Richtlinien entsprechen. Die Schirmung ist dabei flächig aufzulegen. Bei anderen Anschlusstechniken ist im Litzenbereich eine EMV-feste Abschirmung vorzusehen, bei der ebenfalls die Schirmung flächig aufzulegen ist (siehe auch HBM-Greenline-Information, Druckschrift i1577).

6.2 Anschluss in Vierleiter-Technik

Wenn Sie Aufnehmer, die in Sechseiter-Technik ausgeführt sind, an Verstärker mit Vierleiter-Technik anschließen, müssen Sie die Fühlerleitungen der Aufnehmer mit den entsprechenden Speisespannungsleitungen verbinden: Kennzeichnung (+) mit (+) und Kennzeichnung (-) mit (-), siehe Abb. 6.1. Diese Maßnahme verkleinert unter anderem den Kabelwiderstand der Speisespannungsleitungen. Es entsteht jedoch durch den immer noch vorhandenen und nicht durch die Sechseiter-Technik kompensierten Kabelwiderstand ein

Spannungsverlust auf den Speiseleitungen. Ein Großteil dieses Verlustes kann durch eine Kalibrierung eliminiert werden, es verbleibt jedoch der temperaturabhängige Anteil. Der in den technischen Daten für den Aufnehmer angegebene TK_c gilt daher bei Anschluss in Vierleiter-Technik nicht für die Kombination aus Kabel und Aufnehmer, hier kommt der Anteil des Kabels hinzu.

6.3 Kabelkürzung

Da der Anschluss des Aufnehmers in Sechsheiter-Technik ausgeführt ist, können Sie das 6-adrige Kabel des Aufnehmers kürzen, ohne dass dadurch die Messgenauigkeit beeinträchtigt wird.

6.4 Kabelverlängerung

Das Kabel eines Sechsheiter-Kraftaufnehmers kann mit einem gleichartigen Kabel verlängert werden.

Verwenden Sie nur abgeschirmte, kapazitätsarme Messkabel zur Verlängerung. Achten Sie auf eine einwandfreie Verbindung mit geringem Übergangswiderstand.

6.5 EMV-Schutz

Elektrische und magnetische Felder verursachen oft eine Einkopplung von Störspannungen in den Messkreis. Deshalb:

- Verwenden Sie nur abgeschirmte, kapazitätsarme Messkabel (HBM-Kabel erfüllen diese Bedingungen).
- Legen Sie die Messkabel nicht parallel zu Starkstrom- und Steuerleitungen. Falls das nicht möglich ist, schützen Sie das Messkabel, z. B. durch Stahlpanzerrohre.
- Meiden Sie Streufelder von Trafos, Motoren und Schützen.
- Erden Sie Aufnehmer, Verstärker und Anzeigegerät nicht mehrfach.
- Schließen Sie alle Geräte der Messkette an den gleichen Schutzleiter an.

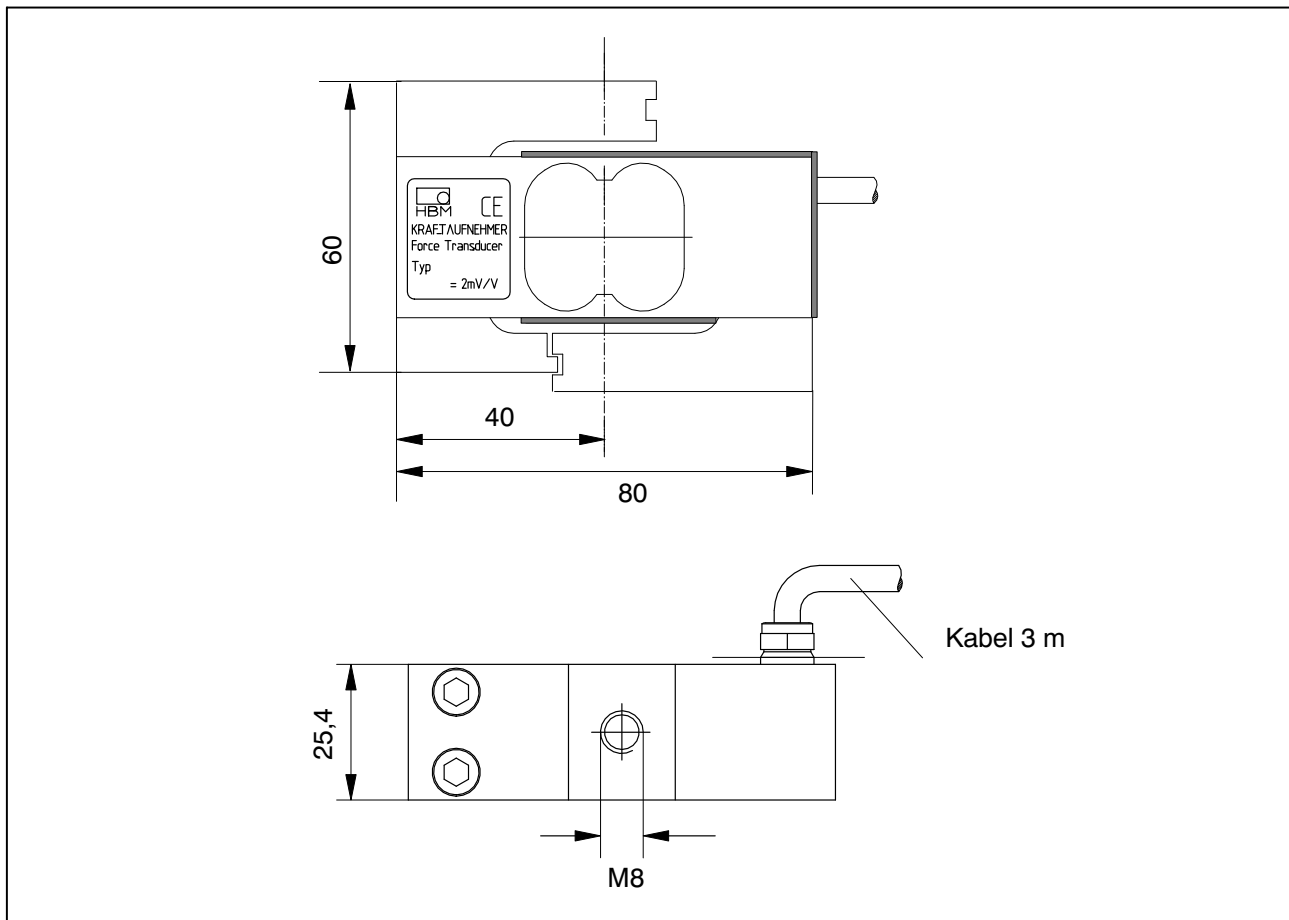
7 Technische Daten (VDI/VDE 2638)

Typ			S2					
Nennkraft	F_{nom}	N	20	50	100	200	500	1000
Genauigkeitsklasse			0,05					
Nennkennwert	C_{nom}	mV/V	2					
Relative Kennwertabweichung Druck	d_c	%	$< \pm 0,25$					
Relativer Kennwertunterschied Zug-/Druck	d_{zd}	%	$< \pm 0,1$					
Relative Nullsignalabweichung	$d_{s,0}$	%	<8	<6	<5			
Relative Umkehrspanne (0,2 F_{nom} bis F_{nom})	u	%	<0,1					
Linearitätsabweichung	d_{lin}	%	<0,05					
Temperatureinfluss auf den Kennwert/10 K (bezogen auf den Kennwert)	TK_C	%	<0,05					
Temperatureinfluss auf das Nullsignal/10 K (bezogen auf den Kennwert)	TK_0	%	<0,05					
Exzentrizitätseinfluss bei 1mm	d_E	%	$< \pm 0,1$					
Querkrafteinfluss ¹⁾ Querkraft 10 % F_{nom}	d_Q	%	$< \pm 0,1$					
Relatives Kriechen, 30 min.	d_{crf+E}	%	$< \pm 0,05$					
Eingangswiderstand	R_e	Ω	>345					
Ausgangswiderstand	R_a	Ω	300 - 500					
Isolationswiderstand	R_{is}	Ω	$> 2 \times 10^9$					
Referenzspeisespannung	U_{ref}	V	5					
Gebrauchsbereich der Speisespannung	$B_{U,GT}$	V	0,5 ... 12					
Nenntemperaturbereich	$B_{t,nom}$	$^{\circ}C$	+10 ... +70					
Gebrauchstemperaturbereich	$B_{t,G}$	$^{\circ}C$	-10 ... +70					
Lagerungstemperaturbereich	$B_{t,S}$	$^{\circ}C$	-30 ... +85					
Referenztemperatur	t_{ref}	$^{\circ}C$	+23					
Maximale Gebrauchskraft	(F_G)	%	120			150		
Grenzkraft	(F_L)	%	<900				<600	<300
Bruchkraft	(F_B)	%	>1000				>700	>400
Grenzdrehmoment	(M_d)	N·m	0,6	1,5	3	6	15	15
Statische Grenzquerkraft ¹⁾	(F_Q)	%	50	100				50
Nennmessweg	S_{nom}	mm	<0,4					
Grundresonanzfrequenz	f_G	kHz	0,29	0,49	0,76	1,09	1,81	2,45
Relative zulässige Schwingbeanspruchung	F_{rb}	%	± 70					

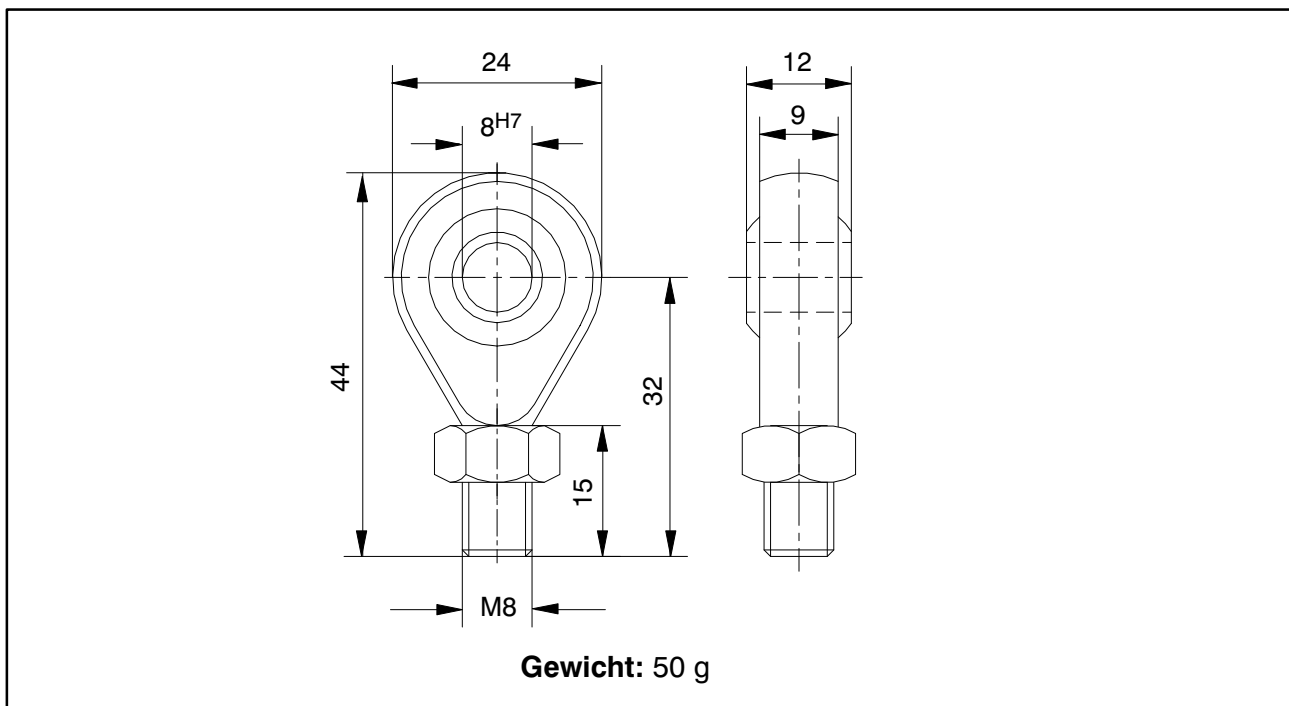
Nennkraft	F_{nom}	N	20	50	100	200	500	1000
Gewicht		kg	ca. 0,4					
Schutzart nach DIN EN 60529			IP65					
Werkstoffe: Messkörper Vergussmasse (DMS-Abdeckung) Kabelverschraubung Kabelmantel			Aluminium Silikonkautschuk rostfreier Stahl / Dichtung Perbunan PVC					
Kabellänge, Sechsheiter-Technik		m	3					

¹⁾ bezogen auf einen Krafteinleitungspunkt auf der Krafteinleitungsfläche

8 Abmessungen



Gelenköse 1-U1/200KG/ZGW



Consignes de sécurité	40
1 Étendue de la livraison	45
2 Conseils d'utilisation généraux	45
3 Conception et fonctionnement	46
3.1 Élément sensible	46
3.2 Recouvrement de jauge	46
3.3 Perturbations	46
4 Conditions sur site	47
4.1 Température ambiante	47
4.2 Humidité	47
4.3 Dépôts	47
5 Montage mécanique	49
5.1 Précautions importantes lors du montage	49
5.2 Directives de montage générales	49
5.3 Montage avec raccord à vis direct	49
5.4 Montage avec anneaux à rotule	50
6 Raccordement électrique	52
6.1 Raccordement en technique six fils	52
6.2 Raccordement en technique 4 fils	52
6.3 Raccourcissement de câble	53
6.4 Rallonge de câble	53
6.5 Protection CEM	53
7 Caractéristiques techniques (VDI/VDE 2638)	54
8 Dimensions	56

Consignes de sécurité

Utilisation conforme

Les capteurs de force de type S2 sont exclusivement conçus pour la mesure de forces en traction et/ou en compression statiques et dynamiques dans le cadre des limites de charge spécifiées dans les caractéristiques techniques. Toute autre utilisation est considérée non conforme.

Pour garantir un fonctionnement sûr, il faut impérativement respecter les instructions de la notice de montage et du manuel d'emploi, de même que les consignes de sécurité ci-après et les données indiquées dans les caractéristiques techniques. De plus, il convient, pour chaque cas particulier, de respecter les règlements et consignes de sécurité correspondants.

Les capteurs de force ne sont pas destinés à être mis en œuvre comme éléments de sécurité. Reportez-vous à ce sujet au paragraphe "Mesures de sécurité supplémentaires". Afin de garantir un fonctionnement parfait et en toute sécurité des capteurs de force, il convient de veiller à un transport, un stockage, une installation et un montage appropriés et d'assurer un maniement scrupuleux.

Limites de capacité de charge

Lors de l'utilisation des capteurs de force, respecter impérativement les données fournies dans les caractéristiques techniques. Les charges maximales indiquées ne doivent notamment en aucun cas être dépassées. Il ne faut pas dépasser les valeurs indiquées dans les caractéristiques techniques pour les

- Charges limites
- Charges transverses limites
- Charges de rupture
- Charges dynamiques admissibles
- Limites de température
- Limites de capacité de charge électrique.

Tenir compte du fait que la répartition des charges/des forces n'est pas toujours uniforme lors du raccordement de plusieurs capteurs de force.

Utilisation en tant qu'éléments de machine

Les capteurs de force peuvent être utilisés en tant qu'éléments de machine. Dans ce type d'utilisation, il convient de noter que les capteurs de force ne peuvent pas présenter les facteurs de sécurité habituels en construction mécanique car l'accent est mis sur la sensibilité élevée. Reportez-vous à ce sujet au paragraphe "Limites de capacité de charge" et aux caractéristiques techniques.

Prévention des accidents

Bien que la force nominale indiquée dans la plage de destruction corresponde à un multiple de la pleine échelle, il est impératif de respecter les directives pour la prévention des accidents du travail éditées par les caisses professionnelles d'assurance accident.

Mesures de sécurité supplémentaires

Les capteurs de force ne peuvent déclencher (en tant que capteurs passifs) aucun arrêt (de sécurité). Il faut pour cela mettre en œuvre d'autres composants et procéder à des mesures constructives, tâches qui incombent à l'installateur et à l'exploitant de l'installation.

Si les capteurs de force risquent de blesser des personnes ou endommager des biens suite à une rupture ou un dysfonctionnement, l'utilisateur doit prendre des mesures de sécurité supplémentaires appropriées afin de répondre au moins aux exigences des directives pour la prévention des accidents du travail (par ex. dispositifs d'arrêt automatiques, limiteurs de charge, lanières ou chaînes de sécurité ou tout autre dispositif anti-chute).

L'électronique traitant le signal de mesure doit être conçue de manière à empêcher tout endommagement consécutif à une panne du signal.

Risques généraux en cas de nonrespect des consignes de sécurité

Les capteurs de force correspondent au niveau de développement technologique actuel et présentent une parfaite sécurité de fonctionnement. Les capteurs peuvent représenter un danger s'ils sont montés, installés, utilisés et manipulés par du personnel non qualifié sans tenir compte des consignes de sécurité. Toute personne chargée de l'installation, de la mise en service, de l'utilisation ou de la réparation d'un capteur de force doit impérativement avoir lu et compris la notice de montage et notamment les informations relatives à la sécurité. En cas d'utilisation non conforme des capteurs de force, de non-respect de la notice de montage et du manuel d'emploi, ainsi que des présentes consignes de sécurité ou de toute autre consigne de sécurité applicable (par ex. les directives pour la prévention des accidents du travail éditées par les caisses professionnelles d'assurance accident) pour l'usage des capteurs de force, les capteurs de force peuvent être endommagés ou détruits. En cas de surcharges notamment, les capteurs de force peuvent se briser. En outre, la rupture d'un capteur de force peut endommager des biens ou blesser des personnes se trouvant à proximité du capteur de force.

Si les capteurs de force sont utilisés pour un usage non conforme ou si les consignes de sécurité ou encore les prescriptions de la notice de montage ou du manuel d'emploi sont ignorées, cela peut également entraîner une panne ou des dysfonctionnements des capteurs de force qui peuvent à leur tour pro-

voquer des préjudices corporels ou matériels (de par les charges agissant sur les capteurs de force ou celles surveillées par ces derniers).

Les performances du capteur et l'étendue de la livraison ne couvrent qu'une partie des techniques de mesure de force car les mesures effectuées avec des capteurs extensométriques (résistifs) supposent l'emploi d'un traitement de signal électronique. La sécurité dans le domaine de la technique de mesure de force doit également être conçue, mise en œuvre et prise en charge par l'ingénieur/le constructeur/l'opérateur de manière à minimiser les dangers résiduels. Les dispositions correspondantes en vigueur doivent être respectées.

Le marquage suivant signale un risque *potentiel* qui – si les dispositions relatives à la sécurité ne sont pas respectées – *peut avoir* pour conséquence de graves blessures corporelles, voire la mort.

 AVERTISSEMENT**Description d'une situation potentiellement dangereuse**

Mesures pour éviter/prévenir le danger

Le marquage suivant signale un risque *potentiel* qui – si les dispositions relatives à la sécurité ne sont pas respectées – *peut avoir* pour conséquence des blessures corporelles de gravité minimale ou moyenne.

 ATTENTION**Description d'une situation potentiellement dangereuse**

Mesures pour éviter/prévenir le danger

Le marquage suivant signale une situation qui – si les dispositions relatives à la sécurité ne sont pas respectées – *peut avoir* pour conséquence des dégâts matériels.

NOTE

Description d'une situation pouvant causer des dégâts matériels

Le marquage suivant signale que des informations importantes concernant le produit ou sa manipulation sont fournies.



Important

Remarques importantes

Le marquage suivant est associé à des conseils d'utilisation ou autres informations utiles.



Conseil

Information/conseil d'utilisation

Transformations et modifications

Il est interdit de modifier le capteur sur le plan conceptuel ou celui de la sécurité sans accord explicite de notre part. Nous ne pourrions en aucun cas être tenus responsables des dommages qui résulteraient d'une modification quelconque.

Entretien

Le capteur de force S2 est sans entretien.

Élimination des déchets

Conformément aux réglementations nationales et locales en matière de protection de l'environnement et de recyclage, les capteurs hors d'usage doivent être éliminés séparément des ordures ménagères normales.

Pour plus d'informations sur l'élimination d'appareils, consultez les autorités locales ou le revendeur auprès duquel vous avez acheté le produit en question.

Personnel qualifié

Sont considérées comme personnel qualifié les personnes familiarisées avec l'installation, le montage, la mise en service et l'exploitation du produit, et disposant des qualifications correspondantes.

En font partie les personnes remplissant au moins une des trois conditions suivantes :

- Vous connaissez les concepts de sécurité de la technique d'automatisation et vous les maîtrisez en tant que chargé de projet.

- Vous êtes opérateur des installations d'automatisation et avez été formé pour pouvoir utiliser les installations. Vous savez comment utiliser les appareils et technologies décrits dans le présent document.
- En tant que personne chargée de la mise en service ou de la maintenance, vous disposez d'une formation vous autorisant à réparer les installations d'automatisation. Vous êtes en outre autorisé à mettre en service, mettre à la terre et marquer des circuits électriques et appareils conformément aux normes de la technique de sécurité.

De plus, il convient, pour chaque application, de respecter les règlements et consignes de sécurité correspondants. Ceci s'applique également à l'utilisation des accessoires.

Le capteur de force doit uniquement être manipulé par du personnel qualifié conformément aux caractéristiques techniques et aux consignes de sécurité.

1 Étendue de la livraison

- 1 capteur de force S2
- 1 notice de montage
- 1 protocole d'essai

Accessoires (ne faisant pas partie de la livraison) :

- Anneau à rotule ZGW N° de commande 1-U1R/200KG/ZGW

2 Conseils d'utilisation généraux

Les capteurs de force de type S2 sont adaptés pour des mesures de forces en traction et en compression. Ils mesurent les forces dynamiques et statiques avec une précision élevée et doivent donc être maniés avec précaution. Dans ce cadre, le transport et le montage doivent être réalisés avec un soin particulier. Les chocs et les chutes risquent de provoquer un endommagement irréversible du capteur.

La masse de scellement (colmatage protégeant l'installation de jauges d'extensométrie sensibles) ne doit pas être endommagée, sinon le capteur devient inutilisable.

Les limites de sollicitations mécaniques, thermiques et électriques autorisées sont disponibles au niveau des caractéristiques techniques. Veuillez en tenir compte lors de la conception de l'agencement de mesure, lors du montage et en fonctionnement.

3 Conception et fonctionnement

3.1 Élément sensible

L'élément de mesure est une lame de flexion en aluminium sur lequel sont installées des jauges d'extensométrie. Les jauges sont disposées de façon à ce que deux d'entre elles soient allongées et les deux autres comprimées lorsqu'une force agit sur le capteur.

3.2 Recouvrement de jauge

Afin de protéger les jauges d'extensométrie, les capteurs de force S2 sont scellés au plastique à l'endroit adéquat. Cette matière plastique doit être protégée de tout dommage mécanique.

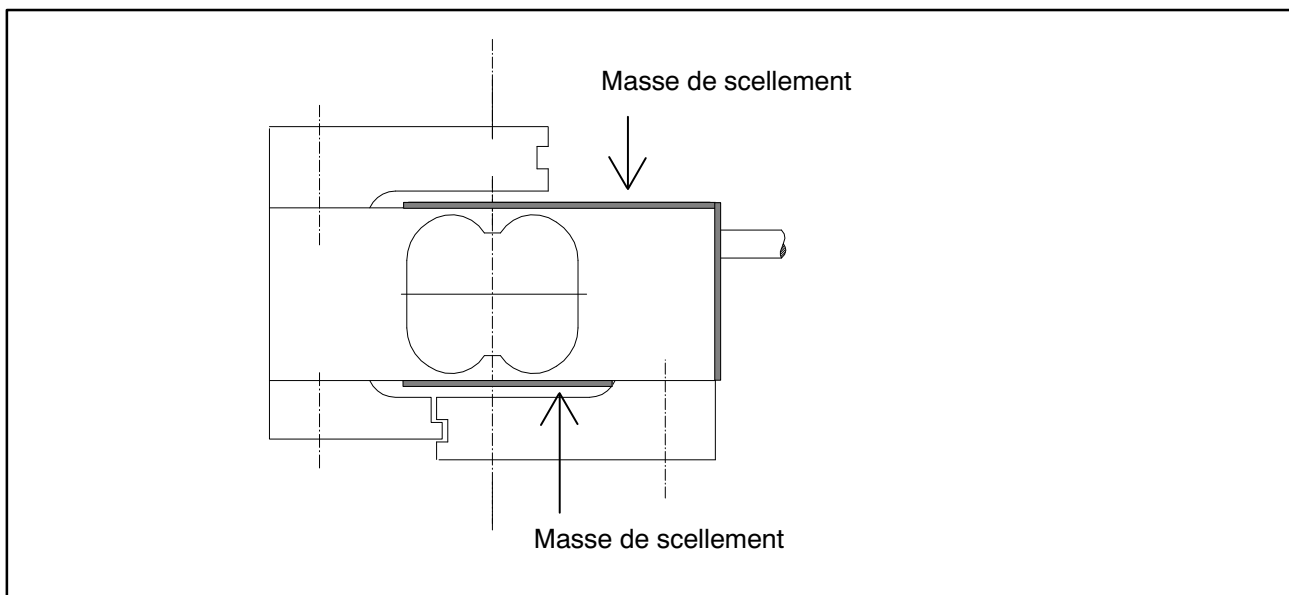


Fig. 3.1: Protection de l'installation de jauges

3.3 Perturbations

Torsion, flexion et charge transverse sont des perturbations et doivent donc être évitées.

4 Conditions sur site

Protéger le capteur des intempéries, telles que la pluie, la neige, le gel et l'eau salée.

4.1 Température ambiante

L'influence de la température sur le zéro et la sensibilité est compensée.

Il convient de respecter la plage nominale de température pour obtenir de meilleurs résultats. Le mieux est d'avoir des températures constantes ou, au pire, qui changent lentement. Les erreurs de mesure liées à la température sont causées par un échauffement, tel qu'une chaleur rayonnante, ou un refroidissement unilatéral. Un blindage anti-rayonnement et une isolation thermique de tous les côtés permettent une nette amélioration. Toutefois, ils ne doivent pas former un shunt.

4.2 Humidité

Les capteurs de force de la série S2 sont protégés contre l'humidité. Les capteurs atteignent la classe de protection IP65 selon DIN EN 60259. Le capteur de force doit toutefois être protégé contre une présence permanente d'humidité.

Le capteur doit être protégé contre les produits chimiques susceptibles d'attaquer l'aluminium, la masse de scellement ou le câble.

La corrosion peut aussi entraîner la défaillance du capteur. Prenez des mesures de protection, en présence d'un tel risque.

NOTE

Aucune humidité ne doit pénétrer dans l'extrémité libre du câble de liaison. Dans le cas contraire, les valeurs caractéristiques du capteur risquent de changer et donc de causer des erreurs de mesure.

4.3 Dépôts

La poussière, l'encrassement et autres corps étrangers ne doivent pas s'accumuler de manière à dévier une partie de la force à mesurer et ainsi à fausser la valeur de mesure (shunt).

NOTE

Des erreurs de mesure peuvent se produire lorsque de la poussière ou des saletés se déposent dans les pesons. Les zones concernées sont repérées par des flèches sur la Fig. 4.1.

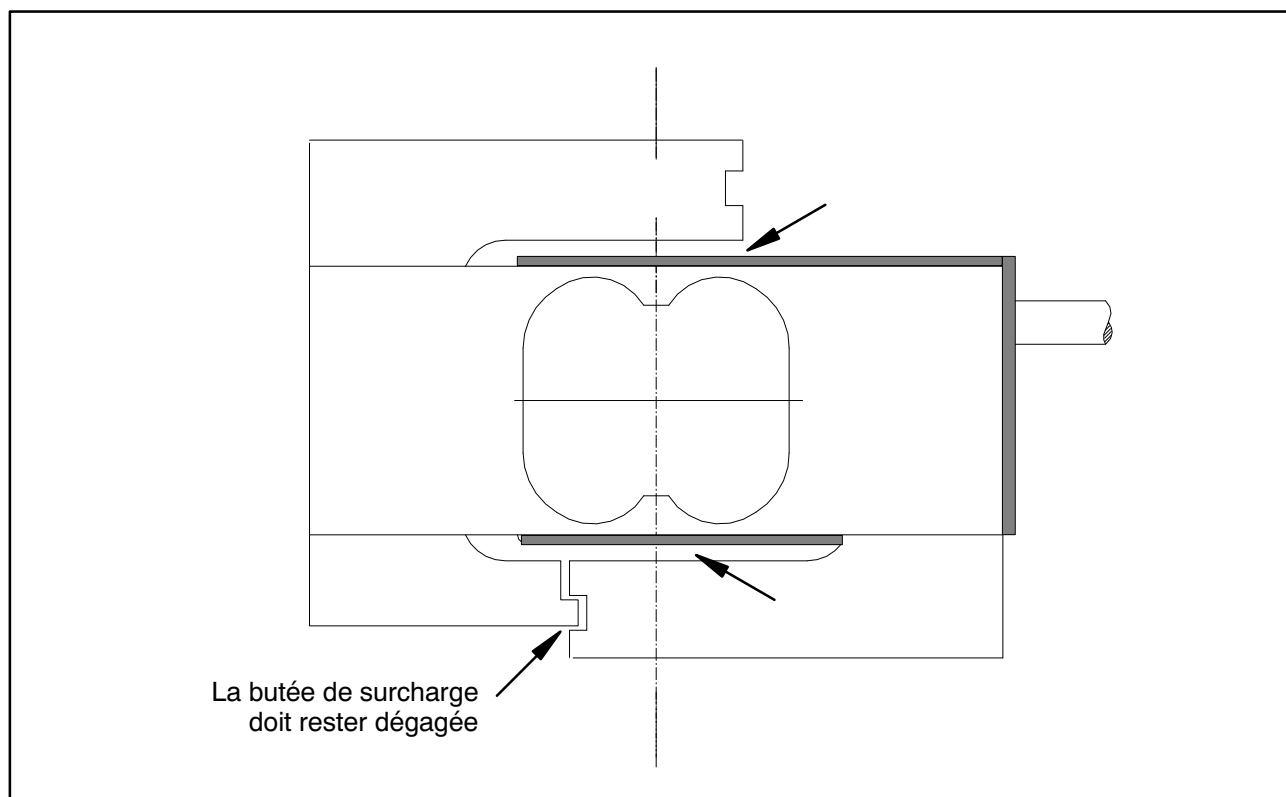


Fig. 4.1: Éviter les dépôts aux endroits signalés

5 Montage mécanique

5.1 Précautions importantes lors du montage

- Ménager le capteur.
- Aucun courant de soudage ne doit traverser le capteur. En présence d'un tel risque, procéder à un court-circuit électrique du capteur par le biais d'un câble à basse impédance approprié. A cet effet, HBM propose, par ex. le câble de mise à terre très souple EEK vissé en-dessus et en-dessous du capteur.
- S'assurer qu'une surcharge du capteur ne puisse pas se produire.

AVERTISSEMENT

En cas de surcharge du capteur, ce dernier risque de se briser. Cela peut être dangereux pour les opérateurs de l'installation dans laquelle le capteur est monté.

Prendre des mesures de protection appropriées pour éviter toute surcharge ou pour se protéger des risques qui pourraient en découler.

5.2 Directives de montage générales

Les forces à mesurer doivent, autant que possible, agir précisément sur le capteur dans le sens de la mesure. Les moments de torsion et de flexion, les charges excentrées et les forces transverses risquent d'entraîner des erreurs de mesure et de détruire le capteur lors d'un dépassement des valeurs limites. Les influences perturbatrices doivent être empêchées par des éléments de construction appropriés, en quoi ces éléments ne doivent pas capter de forces dans le sens de mesure du capteur.



Important

Le côté de fixation du câble du capteur doit toujours être relié directement aux zones de transfert de force rigides côté client. Veiller à ce que le câble soit posé de façon à ce qu'il engendre le moins de shunt possible (par ex. de par son poids ou la rigidité du câble).

5.3 Montage avec raccord à vis direct

Dans cette variante de montage, le capteur est monté sur un élément de construction par l'intermédiaire de poutres en tension/compression et peut mesurer les forces dans le sens de la traction et de la compression. Même les charges alternées sont détectées correctement si le capteur est monté sans jeu axial. Pour les charges alternées dynamiques, les pièces de raccord filetées supérieures et inférieures doivent être préchargées jusqu'à plus de la force de travail maximale, puis être bloquées par contre-écrou.

Montage avec précontrainte et blocage par contre-écrou (variante de montage recommandée)

5. Visser le filetage.
6. Charger le capteur à 110 % de la charge dans le sens de traction survenant ultérieurement au cours du fonctionnement.
7. Serrer le contre-écrou à la main.
8. Décharger le capteur.

Montage et blocage par contre-écrou avec couple

1. Visser le filetage.
2. Serrer le contre-écrou avec un couple de 15 Nm.

NOTE

Lors du blocage par contre-écrou, le couple de serrage ne doit en aucun cas traverser le capteur.

5.4 Montage avec anneaux à rotule

L'emploi d'anneaux à rotule permet d'éviter que des moments de torsion et, en cas d'utilisation de deux anneaux à rotule, des moments de flexion ainsi que des charges transverses et obliques ne pénètrent dans le capteur. Les anneaux à rotule conviennent pour un usage avec une charge quasi-statique (charge alternée ≤ 10 Hz). En cas de charge dynamique à une fréquence supérieure, il est conseillé d'utiliser des poutres en tension/compression pliables.

NOTE

Ne pas desserrer les vis "A", sinon le capteur risquerait d'être endommagé irréremédiablement.

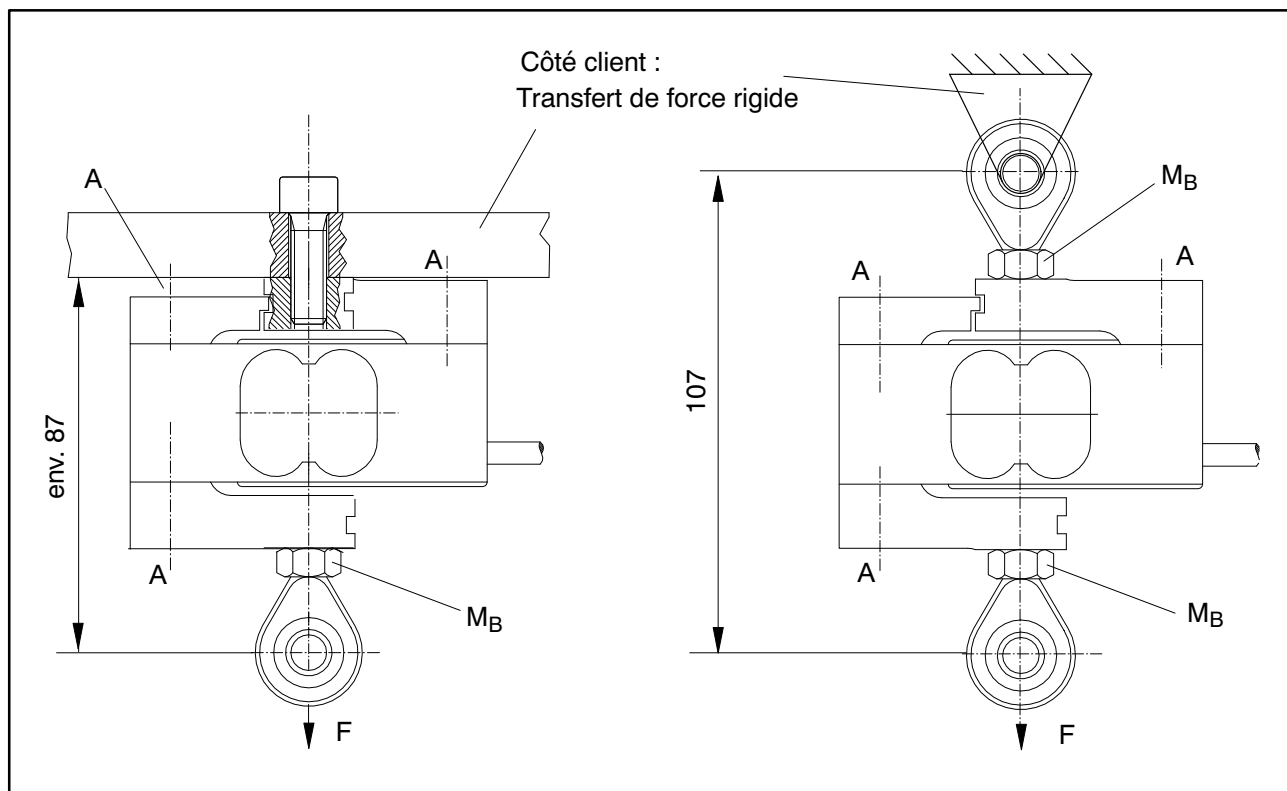


Fig. 5.1: Montage avec anneaux à rotule

Montage avec précontrainte et blocage par contre-écrou (variante de montage recommandée)

1. Desserrer le contre-écrou jusqu'à l'anneau.
2. Visser complètement l'anneau à rotule dans le capteur.
3. Dévisser à nouveau l'anneau à rotule d'un ou deux pas de vis et l'aligner.
4. Charger le capteur à 110 % de la charge dans le sens de traction survenant ultérieurement au cours du fonctionnement.
5. Serrer le contre-écrou à la main.
6. Décharger le capteur.

Montage et blocage par contre-écrou avec couple

1. Desserrer le contre-écrou jusqu'à l'anneau.
2. Visser complètement l'anneau à rotule dans le capteur.
3. Aligner l'anneau articulé.
4. Serrer le contre-écrou avec un couple de 15 Nm.

NOTE

Lors du blocage par contre-écrou, le couple de serrage ne doit en aucun cas traverser le capteur.

6 Raccordement électrique

Pour traiter les signaux de mesure, il est possible de raccorder :

- des amplificateurs à fréquence porteuse
- des amplificateurs à courant continu

convenant aux systèmes de mesure à jauges d'extensométrie.

Le capteur de force S2 est livré en technique six fils.

6.1 Raccordement en technique six fils

Le capteur est fourni avec un câble de 3 m à extrémités libres.

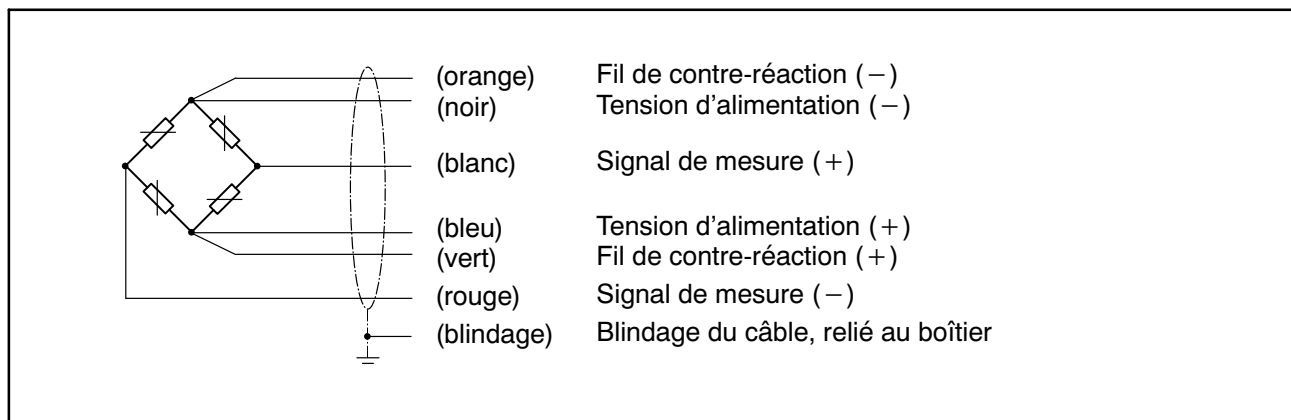


Fig. 6.1: Code de raccordement en câblage 6 fils

Avec ce code de câblage, la tension de sortie de l'amplificateur de mesure est positive lorsque le capteur est sollicité en traction.

Le blindage du câble de liaison est relié au boîtier du capteur. Monter des connecteurs mâles conformes aux directives CEM sur les capteurs à extrémités libres. Le blindage doit alors être posé en nappe. Pour les autres techniques de raccordement, il faut prévoir un blindage conforme CEM dans la zone des fils torsadés, celui-ci devant également être posé en nappe (voir aussi les informations Greenline de HBM, brochure i1577).

6.2 Raccordement en technique 4 fils

Lors du raccordement de capteurs en technique 6 fils à un amplificateur en technique 4 fils, vous devez relier les fils de contre-réaction aux fils de tension d'alimentation correspondants : (+) avec (+) et (-) avec (-), voir Fig. 6.1. Cette mesure réduit entre autres, la résistance intrinsèque des fils de tension d'alimentation. Toutefois, une perte de tension, liée à la résistance intrinsèque encore présente et non compensée par la technique 6 fils, se produit sur tous les fils d'alimentation. La majeure partie de cette perte peut être éliminée par

un calibrage, cependant la partie dépendant de la température reste. Le TK_c indiqué dans les caractéristiques techniques du capteur n'est donc pas valable, lors d'un raccordement en technique 4 fils, pour la combinaison câble/capteur. Dans ce cadre, la partie du câble doit être ajoutée à cela.

6.3 Raccourcissement de câble

Comme le capteur est raccordé en technique six fils, il est possible de raccourcir le câble à 6 brins du capteur sans nuire à l'exactitude de mesure.

6.4 Rallonge de câble

Le câble d'un capteur de force à six fils peut être rallongé avec un câble de même type.

Utiliser uniquement des câbles de mesure blindés de faible capacité comme rallonges. Veiller à obtenir une connexion parfaite avec une faible résistance de contact.

6.5 Protection CEM

Les champs électriques et magnétiques provoquent souvent le couplage de tensions parasites dans le circuit de mesure. C'est pourquoi :

- nous utilisons uniquement des câbles de mesure blindés de faible capacité (les câbles HBM satisfont à ces conditions),
- vous ne devez pas poser les câbles de mesure en parallèle avec des câbles de commande et de puissance. Si cela n'est pas possible, protégez le câble de mesure, par ex. à l'aide de tubes d'acier blindés.
- Eviter les champs de dispersion des transformateurs, moteurs et vannes.
- Ne pas mettre plusieurs fois à la terre le capteur, l'amplificateur et l'unité d'affichage.
- Raccorder tous les appareils de la chaîne de mesure au même fil de terre.

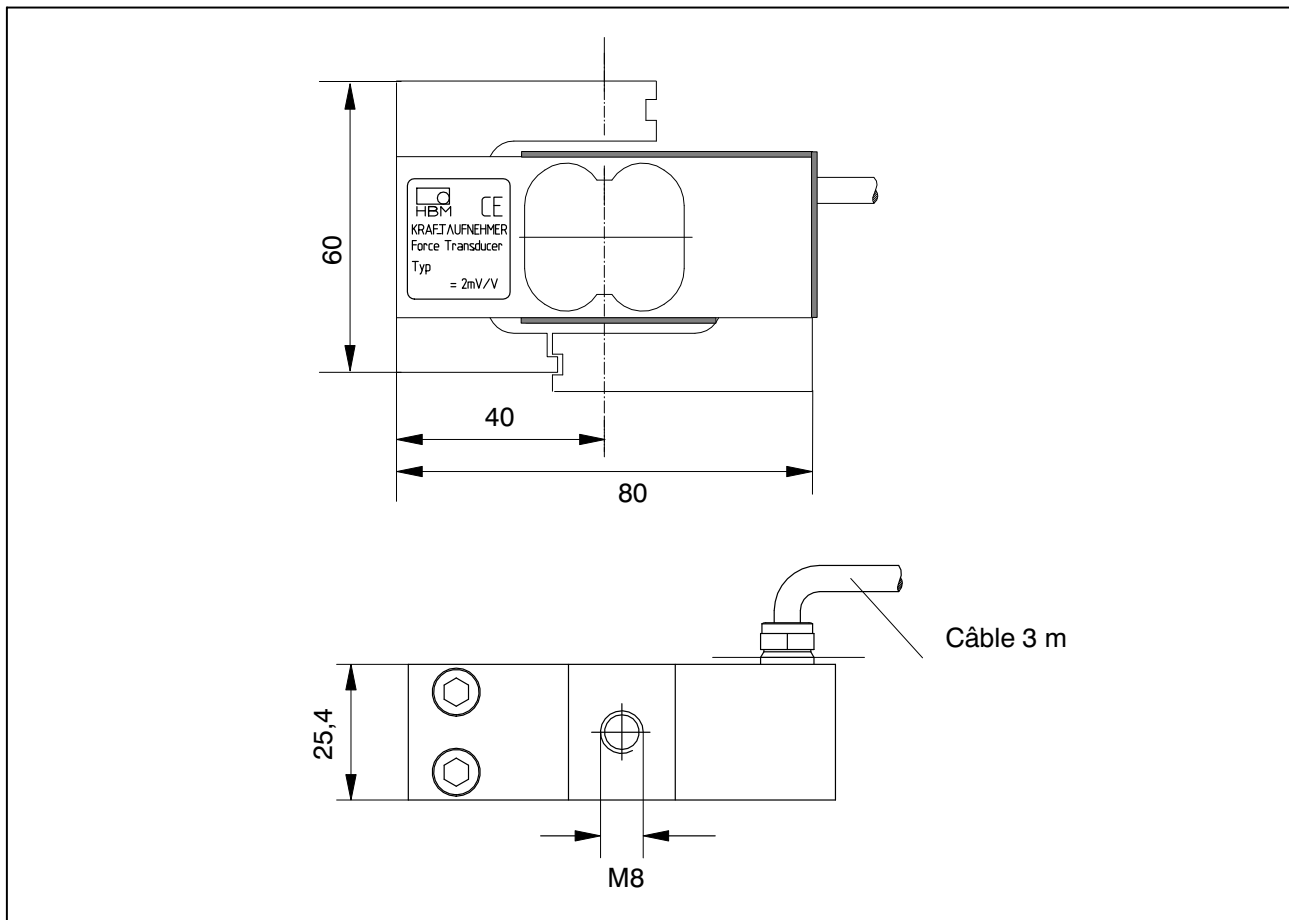
7 Caractéristiques techniques (VDI/VDE 2638)

Type			S2					
Force nominale	F_{nom}	N	20	50	100	200	500	1000
Classe de précision			0,05					
Sensibilité nominale			2					
Ecart relatif de la sensibilité pression			$< \pm 0,25$					
Variation relative de sensibilité en traction/compression			$< \pm 0,1$					
Plage relative de réglage du zéro			< 8	< 6	< 5			
Erreur de réversibilité relative (0,2 F_{nom} à F_{nom})			$< 0,1$					
Erreur de linéarité			$< 0,05$					
Influence de la température sur la sensibilité/10 K (basée sur la sensibilité)			$< 0,05$					
Influence de la température sur le signal zéro/10 K (basée sur la sensibilité)			$< 0,05$					
Influence de l'excentricité à 1mm			$< \pm 0,1$					
Influence de force transverse ¹⁾ Force transverse 10 % F_{nom}			$< \pm 0,1$					
Fluage relatif, 30 min			$< \pm 0,05$					
Résistance d'entrée			> 345					
Résistance de sortie			300 - 500					
Résistance d'isolement			$> 2 \times 10^9$					
Tension d'alimentation de référence			5					
Plage utile de la tension d'alimentation			0,5 ... 12					
Plage nominale de température			+10 ... +70					
Plage utile de température			-10 ... +70					
Plage de température de stockage			-30 ... +85					
Température de référence			+23					
Force utile maximale			120			150		
Force limite			< 900				< 600	< 300
Force de rupture			> 1000				> 700	> 400
Couple limite			0,6	1,5	3	6	15	15
Force transverse statique limite ¹⁾			50	100				50

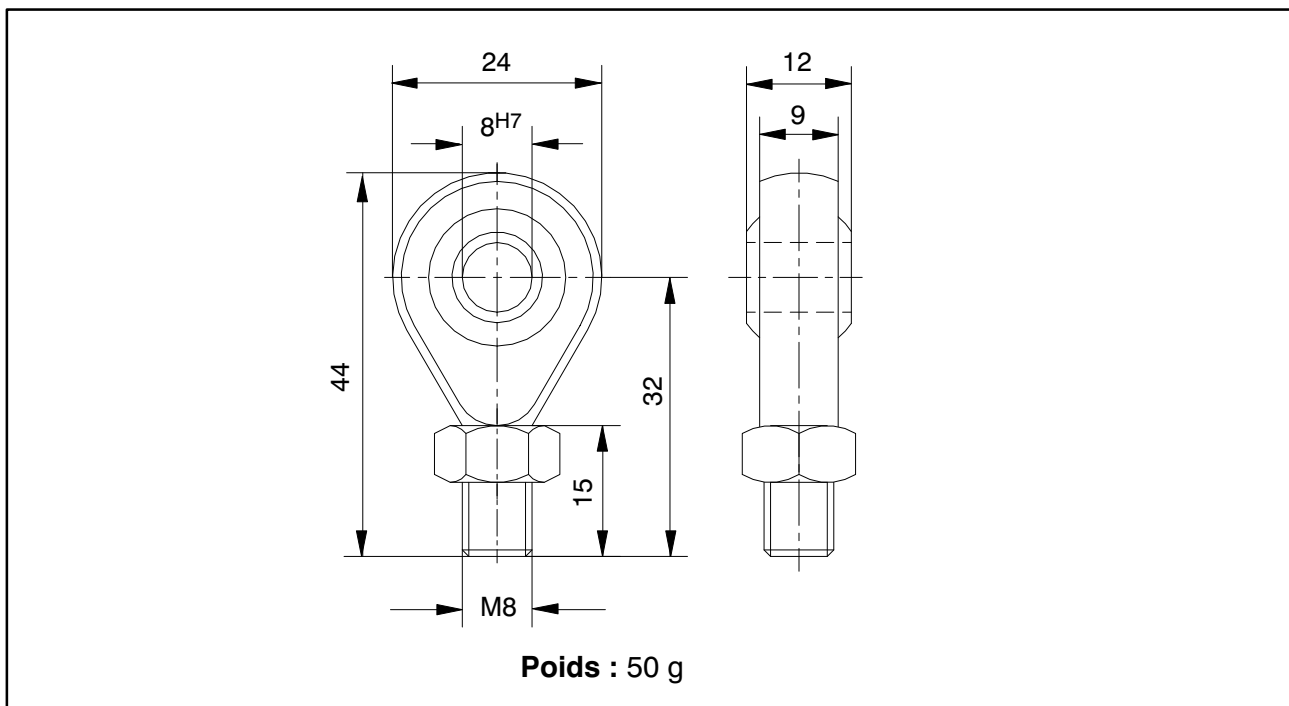
Force nominale	F_{nom}	N	20	50	100	200	500	1000
Déplacement nominal	S_{nom}	mm	<0,4					
Fréquence propre	f_G	kHz	0,29	0,49	0,76	1,09	1,81	2,45
Charge dynamique admissible	F_{rb}	%	± 70					
Poids		kg	env. 0,4					
Degré de protection selon DIN EN 60529			IP65					
Matériaux : Élément de mesure Masse de scellement (recouvrement de jauge) Presse-étoupe Gaine de câble			Aluminium Caoutchouc de silicone Acier inoxydable / garniture d'étanchéité per-bunan PVC					
Longueur de câble, technique 6 fils		m	3					

¹⁾ rapportée à un point d'introduction de force sur la surface d'introduction de force

8 Dimensions



Anneau à rotule 1-U1/200KG/ZGW



All rights reserved.

All details describe our products in general form only.
They are not to be understood as express warranty and do not constitute any liability whatsoever.

Änderungen vorbehalten.

Alle Angaben beschreiben unsere Produkte in allgemeiner Form.
Sie stellen keine Beschaffenheits- oder Haltbarkeitsgarantie im Sinne des §443 BGB dar und begründen keine Haftung.

Document non contractuel.

Les caractéristiques indiquées ne décrivent nos produits que sous une forme générale. Elles n'établissent aucune assurance formelle au terme de la loi et n'engagent pas notre responsabilité.

托驰（上海）工业传感器有限公司
上海市嘉定区华江路348号1号楼707室
电话：+86 021 51069888
传真：+86 021 51069009
邮箱：zhang@yanatoo.com
网址：www.sensor-hbm.com

measure and predict with confidence

