

# Mounting Instructions

Montageanleitung

Notice de montage

Strain transducer

Dehnungsaufnehmer

Extensomètre

## SLB700A/06VA1

## SLB700A/06VA2



**English** ..... **Page 3 – 18**  
**Deutsch** ..... **Seite 19 – 34**  
**Français** ..... **Page 35 – 50**

<b>Contents</b>	<b>Page</b>
<b>Safety instructions</b> .....	<b>4</b>
<b>1 Scope of delivery</b> .....	<b>8</b>
<b>2 General application instructions</b> .....	<b>8</b>
<b>3 Structure and mode of operation</b> .....	<b>9</b>
3.1 Transducer .....	9
3.2 Strain gage and integrated electronics cover protection .....	9
<b>4 Conditions on site</b> .....	<b>10</b>
4.1 Ambient temperature .....	10
4.2 Moisture and chemical effects .....	10
4.3 Deposits .....	11
<b>5 Mechanical installation</b> .....	<b>12</b>
5.1 Important precautions during installation .....	12
5.2 General installation guidelines .....	12
5.3 Installation of the SLB 700A/06VA1 and SLB 700A/06VA2 .....	12
<b>6 Electrical connection</b> .....	<b>14</b>
6.1 Pin assignment .....	14
6.2 Shortening the cable .....	14
6.3 Cable extension .....	14
6.4 Calibration .....	15
6.5 Zero setting .....	16
<b>7 Specifications</b> .....	<b>17</b>
<b>8 Dimensions</b> .....	<b>18</b>



## Safety instructions

### Proper use

The SLB700A/06VA1 and SLB700A/06VA2 strain transducers are solely designed for measuring static and dynamic strains within the load limits specified by the technical data for the respective maximum capacities. Any other use is not the designated use. The strain transducers work with force shunt measurements. It is therefore necessary to screw the strain transducer to the structure, on which strain is to be measured, in compliance with the specifications in these mounting instructions. The SLB700VA1 and SLB700VA2 strain transducers are not suitable for **force flow** measurements.

To ensure safe operation, the regulations in the mounting and operating instructions, together with the following safety rules and regulations, and the data specified in the technical data sheets, must be complied with. It is also essential to observe the applicable legal and safety regulations for the application concerned, e.g. accident prevention regulations.

The strain transducers are not intended for use as safety components. Please also refer to the section: "Additional safety precautions". Proper and safe operation of the strain transducer requires proper transportation, correct storage, siting and mounting, and careful operation.

### Load limits

The data in the technical data sheet must be complied with when using the strain transducer. In particular, the respective maximum loads specified must never be exceeded. The following limits set out in the technical data sheets must not be exceeded

- Limit strains,
- Breaking strains,
- Permissible dynamic strains,
- Temperature limits,
- Limits of electrical loading capacity.

Please note that when several strain transducers are interconnected, the strain distribution is not always uniform.

### Use as a machine element

The strain transducers can be used as machine elements. When used in this manner, it must be noted that, to favor greater sensitivity, the strain transducers are not designed with the safety factors usual in mechanical engineering. Please refer here to the section "Loading limits" and the technical data.

### **Additional safety precautions**

The strain transducers cannot (as passive transducers) implement any (safety-relevant) cutoffs. This requires additional components and constructive measures for which the installer and operator of the plant is responsible.

In cases where a breakage or malfunction of the transducer would cause injury to persons or damage to equipment, the user must take appropriate additional safety measures that meet at least the requirements of applicable safety and accident prevention regulations (e.g. automatic emergency shutdown, overload protection, catch straps or chains, or other fall protection).

The layout of the electronics conditioning the measurement signal should be such that measurement signal failure does not cause damage.

### **General dangers of failing to follow the safety instructions**

The strain transducers are state-of-the-art and reliable. Transducers can give rise to residual dangers if they are incorrectly operated or inappropriately mounted, installed and operated by untrained personnel. Every person involved with siting, starting-up, operating or repairing a strain transducer must have read and understood the mounting instructions and in particular the technical safety instructions. The strain transducers can be damaged or destroyed by non-designated use of the strain transducer or by non-compliance with the mounting and operating instructions, these safety instructions or any other applicable safety regulations (BG safety and accident prevention regulations) when using the strain transducers. The strain transducers can break apart, especially when overloaded. A strain transducer breakage could injure persons in the vicinity of the strain transducer or cause damage to equipment.

If strain transducers are not used according to their designated use, or if the safety instructions or specifications in the mounting and operating instructions are ignored, it is also possible that the strain transducer may fail or malfunction, with the result that persons or property may be affected (due to the loads acting on or being monitored by the strain transducer).

The scope of supply and performance of the transducer covers only a small area of measurement technology, as measurements with (resistive) strain gage sensors presuppose the use of electronic signal processing. In addition, equipment planners, installers and operators should plan, implement and respond to safety engineering considerations in such a way as to minimize remaining dangers.

### **The markings used in this document**

The marking below warns of a *potentially* dangerous situation in which failure to comply with safety requirements *can* result in death or serious physical injury.

**WARNING****Description of a potentially dangerous situation**

Measures to avoid/prevent the danger

---

The marking below warns of a situation in which failure to comply with safety requirements *could* lead to damage to property.

---

**NOTE**

*Description of a situation that could lead to damage to property*

---

The marking below draws your attention to important information about the product or about handling the product.

**Important**

*Important information*

The marking below contains application tips or other information that is useful to you.

**Tip**

Information/Application instructions

**Conversions and modifications**

The transducer must not be modified from the design or safety engineering point of view except with our express agreement. Any modification shall exclude all liability on our part for any damage resulting therefrom.

**Maintenance**

The SLB-700A/06VA1 and SLB-700A/06VA2 strain transducers are maintenance-free.

## **Disposal**

In accordance with national and local environmental protection and material recovery and recycling regulations, old transducers that can no longer be used must be disposed of separately and not with normal household waste.

If you need more information about waste disposal, please contact your local authorities or the dealer from whom you purchased the product.

## **Qualified personnel**

Qualified personnel means persons entrusted with siting, mounting, starting up and operating the product, who possess the appropriate qualifications for their function.

This includes people who meet at least one of the three following requirements:

- Knowledge of the safety concepts of measurement and automation technology is a requirement and as project personnel, you must be familiar with these concepts.
- As measurement and automation plant operating personnel, you have been instructed how to handle the machinery. You are familiar with the operation of the equipment and technologies described in this documentation.
- As commissioning engineers or service engineers, you have successfully completed the training to qualify you to repair the measurement and automation systems. You are also authorized to activate, ground and label circuits and equipment in accordance with safety engineering standards.

It is also essential to comply with the legal and safety requirements for the application concerned during use. The same applies to the use of accessories.

The strain transducers must only be installed by qualified personnel, strictly in accordance with the specifications and with the safety requirements and regulations listed below.



## 1 Scope of delivery

- 1 strain transducer SLB-700A/06VA1 (version with voltage output 0 to 10 V) or SLB-700A/06VA2 (version with current output 4 to 20 mA)
- 1 Mounting instructions

## 2 General application instructions

The SLB-700A/06VA1 and SLB-700A/06VA2 strain transducers are suitable for the measurement of positive and negative strains. They provide highly accurate static and dynamic force measurements and must therefore be handled very carefully. Particular care must be taken when transporting and installing the devices. Dropping or knocking the transducers may cause permanent damage.

The specifications list the permissible limits for mechanical, thermal and electrical stress. It is essential that these are taken into account when planning the measuring set-up, during installation and, ultimately, during operation.

### 3 Structure and mode of operation

#### 3.1 Transducer

A solid connection is formed between the strain transducer and the measurement object with the four screws. Mechanical loading causes a change in length of the measurement object which is then transferred to the strain transducer. The change in length changes the electrical resistance of the installed strain gage proportional to the strain. This is converted into the output signal by the integrated DC amplifier. The SLB-700A/06VA1 outputs a voltage between 0 and 10 V, the SLB-700A/06VA2 a current between 4 and 20 mA.

#### 3.2 Strain gage and integrated electronics cover protection

The strain transducer is potted with a special silicone mass at appropriate points to protect the strain gages and the integrated amplifier electronics. This securely protects the sensitive components against environmental influences. The silicone must not be damaged or removed.

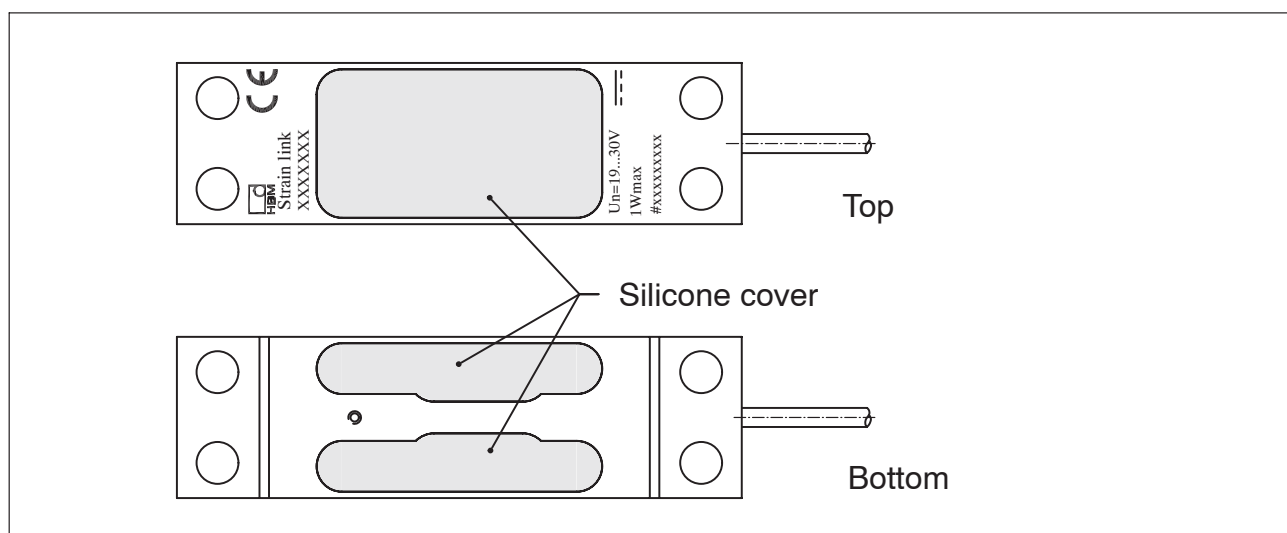


Fig. 3.1: Silicone cover

## 4 Conditions on site

### 4.1 Ambient temperature

Temperature changes lead to an expansion of the structure and therefore to a change in the zero point. The strain transducers are therefore compensated so that they can equalize and not display the thermal strain of the structure.

This compensation is implemented for standard construction and tool steels, e. g. C45, 1.1730, with a thermal expansion coefficient  $\alpha$  of  $12 \cdot 10^{-6}/^{\circ}\text{C}$ .

If mounted on a structure with a different thermal expansion coefficient, a temperature-dependent signal is output that corresponds to the temperature expansion of the material less  $12 \cdot 10^{-6}/^{\circ}\text{C}$ .



#### Tip

If it is possible to reset (zero setting) the zero signal at short intervals, the influence of the temperature change on the zero signal can be ignored.

The influence of the temperature on the sensitivity is low. The influence results mainly from the change in the E modulus of the object on which the strain transducer is mounted. The E modulus becomes smaller under the influence of heat and therefore a greater strain and higher measured value will result when the same force is applied to the component. The reverse effect occurs under the influence of cold.

To obtain optimum measurement results, the nominal (rated) temperature range must be complied with.

### 4.2 Moisture and chemical effects

The transducers reach the protection class IP65 as per DIN EN 60529 (test conditions: 0.5 hours under 1 m water column) and are therefore **briefly** watertight. Nevertheless, the transducers must be protected against long-term effects of moisture or weather such as rain, snow, etc.

The transducers must be protected against chemicals that could attack the transducer body steel, silicone or the cable.

With stainless steel transducers, please note that acids and all materials which release ions will also attack stainless steels and their welded seams. Should there be any corrosion, this could cause the transducer to fail. In this case, appropriate protective measures should be implemented.

### 4.3 Deposits

Dust, dirt and other foreign matter must not be allowed to accumulate sufficiently to divert some of the measuring force onto the housing, thus invalidating the measured value (force shunt). Foreign matter should not be allowed to collect **on top of** or **underneath** the strain transducer.

## 5 Mechanical installation

### 5.1 Important precautions during installation

- Handle the transducer with care.
- Make sure that the transducer cannot be overloaded.

#### **WARNING**

**There is a danger of the transducer breaking if it is overloaded. This can cause danger for the operating personnel of the system in which the transducer is installed.**

Implement appropriate safety measures to avoid overloads or to protect against resulting dangers.

### 5.2 General installation guidelines

The strain/compression of the structure (measurement object) to be recorded by the transducer is transferred to the transducer via the two screwed on mounting surfaces. Therefore a perfectly flat, distortion-free contact surface is decisive for reproducible measurement results. To measure the strain of 500  $\mu\text{m}/\text{m}$ , the contact surface must be able to generate a force of approx. 3000 N in the measuring body.

### 5.3 Installation of the SLB 700A/06VA1 and SLB 700A/06VA2

The strain transducer SLB700A is screwed onto the measurement object with four standard M6 hexagon socket screws (e. g. DIN 912). We recommend, for the best measurement results, screws with property class 12.9, that can be tightened with a tightening torque of 16 N·m in a diagonally opposed sequence.

- Remove any coatings, paint or paint residues from the mounting area for the transducer.
- The surface of the measurement object must be sufficiently flat (roughness  $R_a \leq 3.2$ ).
- The strain transducer must not touch in the central lower area (see Fig. 5.1) and must be mounted without tension.
- Mount the strain transducer as shown in Fig. 5.1.

- Cover the transducer with a housing if there is a risk of exposure to weather or danger of mechanical damage. Also protect against condensation.

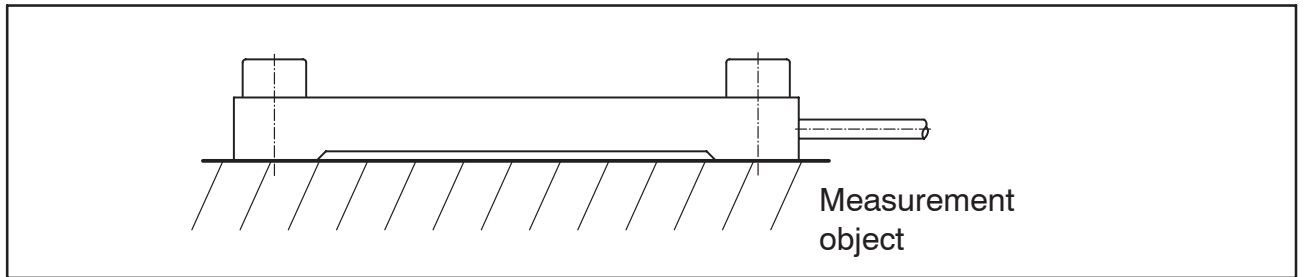


Fig. 5.1: Installation of the strain transducer

Load the transducer before calibration several times with the maximum load so that the mounting area can settle. Then tighten the fixing screws with the nominal torque.

## 6 Electrical connection

The strain transducers are equipped with a 6 m long, six-wire connection cable. The transducers must be calibrated after being mounted in the application. The output signal characteristic curve is factory preset to approx. 330  $\mu\text{m}/\text{m}$  for a signal spread of 1 to 9 V or from 5.5 to 18.5 mA.

### 6.1 Pin assignment

Connection	Wire color	SLB-700A/06VA1	SLB-700A/06VA2
Supply voltage	blue	19 ... 30 V	19 ... 30 V
Supply voltage	black	0 V	0 V
Output signal	white	0 ... 10 V	4 ... 20 mA
Output signal 0 V	gray	0 V	No function
Control input IN1 (zero setting)	red		
Control input IN2 (calibration)	green		
Cable shield	connected to housing		



#### **Important**

*In the SLB-700A/06VA1, the supply voltage 0 V (black) and output signal 0 V (gray) are connected internally.*



#### **Tip**

The inputs/outputs of the SLB-700A/06VA1 and SLB-700A/06VA2 are protected against short circuits and reverse polarity.

### 6.2 Shortening the cable

The cable can be shortened without restrictions.

### 6.3 Cable extension

Only use shielded, low-capacitance measurement cables for extension. Ensure that connection is perfect, with a low contact resistance. Please note that the total cable length should not exceed 30 m.

## 6.4 Calibration

During calibration, a specific strain is initially assigned the output signal of 1 V or 5.5 mA. This is the "lower range value" or zero point of the characteristic curve. You can assign the output signal of 9 V or 18.5 mA to any other strain. This is the "upper range value" or end point of the characteristic curve. This procedure is also possible if you are working with negative strains, i.e. with the appropriate adjustment compressions (negative strains) will lead to positive voltage or current changes at the output.

Settlement, running in and overshooting or temperature drift can lead to signals below or above the calibrated zero or full scale. The electronics are therefore set so that 10% of the measurement range is still available above and below the calibrated range.

To use the digital calibration function of the transducer, the control input IN2 must be controlled with appropriate switching levels. You can either use a pushbutton or the digital outputs of a programmable control unit. The switching level for inactive lies between 0 and 4 V, for active between 10 and 30 V.



### **Important**

*Please note the mechanical limit values in the specifications during calibration, particularly the maximum operating strain of 750  $\mu\text{m/m}$ . Please also note that very small strain differences between the start and end point (under 50  $\mu\text{m/m}$ ) will lead to a very high amplification and therefore to an "unsteady" signal.*

### **Procedure**

1. Set up the starting condition for your measurement object.
2. Apply the switching level for active for minimum 2 seconds at the control input IN2 (10 ... 30 V).

The electronics detect the start of the calibration process, and the signal for the zero point of 1 V or 5.5 mA is output.

3. Raise the strain for the planned end value.
4. Apply the switching level for active for maximum 1 second at the control input IN2 (10 ... 30 V).

The new characteristic curve is calculated and permanently stored in the device. The signal for the end point of 9 V or 18.5 mA is output.



## 6.5 Zero setting

Apply the switching level for active at the control input IN1 (10 ... 30 V) for zero setting. The output signal is then set to the start point of the characteristic curve (1 V or 5.5 mA) for the strain currently present.



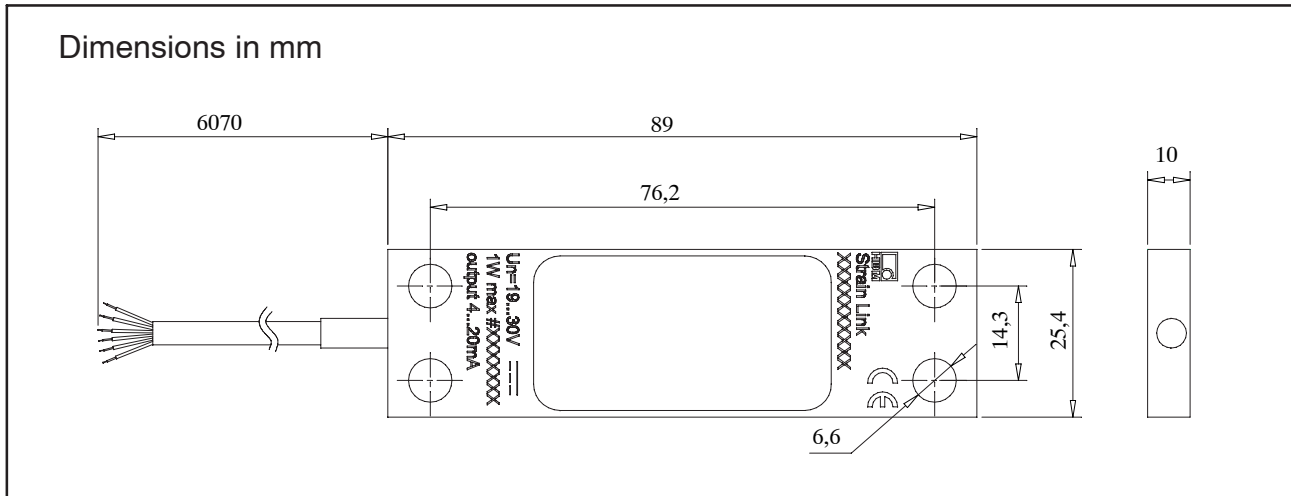
### **Important**

*The determined zero value is **not permanently** stored. This means that the zero value determined during zero setting is deleted when the operating voltage is switched off. Zero and end point of the calibration are however permanently stored.*

## 7 Specifications

Type		SLB-700A/06VA1	SLB-700A/06VA2
Nominal (rated) measuring range	μm/m	0 ... 500	0 ... 500
Minimum operating range	μm/m	0 ... 50	0 ... 50
Zero signal (signal at zero point)		1 V	5.5 mA
End signal (signal for end point)		9 V	18.5 mA
Output signal spread		8 V	13 mA
Output signal range		-0.3 ... 11 V	3 ... 21 mA
Relative linearity error	%	0.5	
Cut-off frequency (-1 dB)	Hz	1000	
Matched to material with a thermal expansion coefficient of	1/°C	12 · 10 <sup>-6</sup>	
Level control inputs IN1/IN2	V	active (high): >10 V; inactive (low): <4 V	
Reference excitation voltage	V	24	
Nominal (rated) range of the excitation voltage	V DC	19 ... 30	
Max. current consumption	mA	20	
Nominal temperature range	°C	-10 ... 50	
Operating temperature range	°C	-20 ... 60	
Storage temperature range	°C	-40 ... 85	
Maximum operating strain	μm/m	750	
Breaking strain	μm/m	1500	
Restoring force	N	approx. 3200	
Vibration as per DIN EN 60068-2-6	Hz	10 ... 500	
Maximum shock loading as per DIN EN 60068-2-27	g	50	
Degree of protection as per DIN EN 60529		IP65	
Tightening torque of mounting screws minimum Nominal (rated) value	N·m N·m	8 16	
Cable sheath		PUR	
Cable length	m	6	
Cable diameter	mm	3.5	

## 8 Dimensions



<b>Inhalt</b>	<b>Seite</b>
<b>Sicherheitshinweise</b> .....	<b>20</b>
<b>1 Lieferumfang</b> .....	<b>24</b>
<b>2 Allgemeine Anwendungshinweise</b> .....	<b>24</b>
<b>3 Aufbau und Wirkungsweise</b> .....	<b>25</b>
3.1 Aufnehmer .....	25
3.2 Abdeckung der DMS und der integrierten Elektronik .....	25
<b>4 Bedingungen am Einbauort</b> .....	<b>26</b>
4.1 Umgebungstemperatur .....	26
4.2 Feuchtigkeit und chemische Einwirkung .....	26
4.3 Ablagerungen .....	27
<b>5 Mechanischer Einbau</b> .....	<b>28</b>
5.1 Wichtige Vorkehrungen beim Einbau .....	28
5.2 Allgemeine Einbaurichtlinien .....	28
5.3 Einbau des SLB-700A/06VA1 und SLB-700A/06VA2 .....	28
<b>6 Elektrischer Anschluss</b> .....	<b>30</b>
6.1 Anschlussbelegung .....	30
6.2 Kabelkürzung .....	30
6.3 Kabelverlängerung .....	30
6.4 Kalibrierung .....	31
6.5 Nullsetzen .....	32
<b>7 Technische Daten</b> .....	<b>33</b>
<b>8 Abmessungen</b> .....	<b>34</b>



## Sicherheitshinweise

### Bestimmungsgemäße Verwendung

Die Dehnungsaufnehmer SLB700A/06VA1 und SLB700A/06VA2 sind ausschließlich für die Messung statischer und dynamischer Dehnungen im Rahmen der durch die technischen Daten spezifizierten Belastungsgrenzen konzipiert. Jeder darüber hinausgehende Gebrauch ist nicht bestimmungsgemäß. Die Dehnungsaufnehmer arbeiten durch Messung im Kraftnebenschluss. Hierzu ist es notwendig, die Dehnungsaufnehmer nach den Vorgaben dieser Montageanleitung an die Konstruktion zu schrauben, an der die Dehnungen gemessen werden sollen. Die Dehnungsaufnehmer SLB700VA1 und SLB700VA2 sind nicht geeignet zur Messung **im** Kraftfluss.

Zur Gewährleistung eines sicheren Betriebes sind die Vorschriften der Montage- und Betriebsanleitung sowie die nachfolgenden Sicherheitsbestimmungen und die in den technischen Datenblättern angegebenen Daten unbedingt zu beachten. Zusätzlich sind die für den jeweiligen Anwendungsfall zu beachtenden Rechts- und Sicherheitsvorschriften zu beachten, z. B. die Unfallverhütungsvorschriften der Berufsgenossenschaften.

Die Dehnungsaufnehmer sind nicht zum Einsatz als Sicherheitsbauteile bestimmt. Bitte beachten Sie hierzu den Abschnitt „Zusätzliche Sicherheitsvorkehrungen“. Der einwandfreie und sichere Betrieb der Kraftaufnehmer setzt sachgemäßen Transport, fachgerechte Lagerung, Aufstellung und Montage sowie sorgfältige Bedienung voraus.

### Belastungsgrenzen

Beim Einsatz der Dehnungsaufnehmer sind die Angaben in den technischen Datenblättern unbedingt zu beachten. Insbesondere dürfen die jeweils angegebenen Maximalbelastungen keinesfalls überschritten werden. Nicht überschritten werden dürfen die in den technischen Datenblättern angegebenen

- Grenzdehnungen,
- Bruchdehnungen,
- Zulässige dynamische Dehnungen,
- Temperaturgrenzen,
- Grenzen der elektrischen Belastbarkeit.

Beachten Sie bei der Zusammenschaltung mehrerer Dehnungsaufnehmer, dass die Dehnungsverteilung nicht immer gleichmäßig ist.

### Einsatz als Maschinenelemente

Die Dehnungsaufnehmer können als Maschinenelemente eingesetzt werden. Bei dieser Verwendung ist zu beachten, dass die Dehnungsaufnehmer zu

Gunsten einer hohen Messempfindlichkeit nicht mit den im Maschinenbau üblichen Sicherheitsfaktoren konstruiert wurden. Beachten Sie hierzu den Abschnitt „Belastungsgrenzen“ und die technischen Daten.

### **Zusätzliche Sicherheitsvorkehrungen**

Die Dehnungsaufnehmer können (als passive Aufnehmer) keine (sicherheitsrelevanten) Abschaltungen vornehmen. Dafür bedarf es weiterer Komponenten und konstruktiver Vorkehrungen, für die der Errichter und Betreiber der Anlage Sorge zu tragen hat.

Falls bei Bruch oder Fehlfunktion der Kraftaufnehmer Menschen oder Sachen zu Schaden kommen können, müssen vom Anwender zusätzlich geeignete Sicherheitsvorkehrungen getroffen werden, die zumindest den Anforderungen der einschlägigen Unfallverhütungsvorschriften genügen (z. B. automatische Notabschaltungen, Überlastsicherungen, Absturzsicherungen). Die das Messsignal verarbeitende Elektronik ist so zu gestalten, dass bei Ausfall des Messsignals keine Folgeschäden auftreten können.

Der Leistungs- und Lieferumfang des Aufnehmers deckt nur einen Teilbereich der Messtechnik ab, da Messungen mit (resistiven) DMS-Sensoren eine elektronische Signalverarbeitung voraussetzen. Sicherheitstechnische Belange sind zusätzlich vom Anlagenplaner/Ausrüster/Betreiber so zu planen, zu realisieren und zu verantworten, dass Restgefahren minimiert werden.

### **Qualifiziertes Personal**

Qualifiziertes Personal sind Personen, die mit Aufstellung, Montage, Inbetriebsetzung und Betrieb des Produktes vertraut sind und die über die ihrer Tätigkeit entsprechende Qualifikationen verfügen.

Dazu zählen Personen, die mindestens eine der drei folgenden Voraussetzungen erfüllen:

- Ihnen sind die Sicherheitskonzepte der Mess- und Automatisierungstechnik bekannt und Sie sind als Projektpersonal damit vertraut.
- Sie sind Bedienungspersonal der Mess- und Automatisierungsanlagen und im Umgang mit den Anlagen unterwiesen. Sie sind mit der Bedienung der in dieser Dokumentation beschriebenen Geräte und Technologien vertraut.
- Sie sind Inbetriebnehmer oder für den Service eingesetzt und haben eine Ausbildung absolviert, die Sie zur Reparatur der Mess- und Automatisierungsanlagen befähigt. Außerdem haben Sie eine Berechtigung, Stromkreise und Geräte gemäß den Normen der Sicherheitstechnik in Betrieb zu nehmen, zu erden und zu kennzeichnen.

Bei der Verwendung sind zusätzlich die für den jeweiligen Anwendungsfall erforderlichen Rechts- und Sicherheitsvorschriften zu beachten. Sinngemäß gilt dies auch bei Verwendung von Zubehör.

Die Dehnungsaufnehmer sind nur von qualifiziertem Personal ausschließlich entsprechend der technischen Daten in Zusammenhang mit den Sicherheitsbestimmungen und Vorschriften einzusetzen.

### **Umbauten und Veränderungen**

Der Aufnehmer darf ohne unsere ausdrückliche Zustimmung weder konstruktiv noch sicherheitstechnisch verändert werden. Jede Veränderung schließt eine Haftung unsererseits für daraus resultierende Schäden aus.

### **Wartung**

Die Dehnungsaufnehmer SLB-700A/06VA1 und SLB-700A/06VA2 sind wartungsfrei.

### **Entsorgung**

Nicht mehr gebrauchsfähige Aufnehmer sind gemäß den nationalen und örtlichen Vorschriften für Umweltschutz und Rohstoffrückgewinnung getrennt von regulärem Hausmüll zu entsorgen.

Falls Sie weitere Informationen zur Entsorgung benötigen, wenden Sie sich bitte an die örtlichen Behörden oder an den Händler, bei dem Sie das Produkt erworben haben.

### **Allgemeine Gefahren bei Nichtbeachten der Sicherheitshinweise**

Die Dehnungsaufnehmer entsprechen dem Stand der Technik und sind betriebssicher. Von den Aufnehmern können Gefahren ausgehen, wenn sie von ungeschultem Personal oder unsachgemäß montiert, aufgestellt, eingesetzt und bedient werden. Jede Person, die mit Aufstellung, Inbetriebnahme, Betrieb oder Reparatur eines Dehnungsaufnehmers beauftragt ist, muss die Montageanleitung und insbesondere die sicherheitstechnischen Hinweise gelesen und verstanden haben. Bei nicht bestimmungsgemäßem Gebrauch der Dehnungsaufnehmer, bei Nichtbeachtung der Montage- und Bedienungsanleitung, dieser Sicherheitshinweise oder sonstiger einschlägiger Sicherheitsvorschriften beim Umgang mit den Dehnungsaufnehmern, können die Dehnungsaufnehmer beschädigt oder zerstört werden. Insbesondere bei Überlastungen können die Dehnungsaufnehmer auseinanderbrechen. Durch den Bruch eines Dehnungsaufnehmers können dann Personen in der Umgebung des Dehnungsaufnehmers verletzt werden oder Sachschäden entstehen.

Werden Dehnungsaufnehmer nicht ihrer Bestimmung gemäß eingesetzt, oder werden die Sicherheitshinweise oder die Vorgaben der Montage- oder Bedienungsanleitung außer Acht gelassen, kann es ferner zum Ausfall oder zu Fehlfunktionen der Dehnungsaufnehmer kommen, mit der Folge, dass (durch auf die Dehnungsaufnehmer einwirkende oder durch diese überwachte Lasten) Personen verletzt werden oder Sachschäden entstehen.



## In diesem Dokument verwendete Kennzeichnungen

Die folgende Kennzeichnung weist auf eine *mögliche* gefährliche Situation hin, die – wenn die Sicherheitsbestimmungen nicht beachtet werden – Tod oder schwere Körperverletzung zur Folge *haben kann*.



### Beschreibung einer möglicherweise gefährlichen Situation

Maßnahmen zur Vermeidung/Abwendung der Gefahr

---

Die folgende Kennzeichnung weist auf eine Situation hin, die – wenn die Sicherheitsbestimmungen nicht beachtet werden – Sachschäden zur Folge *haben kann*.

---

### HINWEIS

*Beschreibung einer Situation, die zu Sachschäden führen kann*

---

Die folgende Kennzeichnung weist auf wichtige Informationen zum Produkt oder zur Handhabung des Produktes hin.



### **Wichtig**

*Wichtige Hinweise*

Die folgende Kennzeichnung enthält Anwendungstipps oder andere für Sie nützliche Informationen.



### **Tipp**

Information/Anwendungshinweis

## 1 Lieferumfang

- 1 Dehnungsaufnehmer SLB-700A/06VA1 (Version mit Spannungsausgang 0 bis 10 V) oder SLB-700A/06VA2 (Version mit Stromausgang 4 bis 20 mA)
- 1 Montageanleitung

## 2 Allgemeine Anwendungshinweise

Die Dehnungsaufnehmer SLB-700A/06VA1 und SLB-700A/06VA2 sind für Messungen von positiven und negativen Dehnungen geeignet. Sie messen statische und dynamische Dehnungen mit hoher Genauigkeit und verlangen daher eine umsichtige Handhabung. Besondere Aufmerksamkeit erfordern hierbei Transport und Einbau. Stöße oder Stürze können zu permanenten Schäden am Aufnehmer führen.

Die Grenzen für die zulässigen mechanischen, thermischen und elektrischen Beanspruchungen sind in den technischen Daten aufgeführt. Bitte berücksichtigen Sie diese unbedingt bei der Planung der Messanordnung, beim Einbau und letztendlich im Betrieb.

## 3 Aufbau und Wirkungsweise

### 3.1 Aufnehmer

Über die vier Schrauben wird eine kraftschlüssige Verbindung zwischen dem Dehnungsaufnehmer und Ihrem Messobjekt sichergestellt. Durch mechanische Belastung ergibt sich eine Längenänderung am Messobjekt, die auf den Dehnungsaufnehmer übertragen wird. Aufgrund der Längenänderung ändert sich der elektrische Widerstand der installierten Dehnungsmessstreifen proportional zur Dehnung. Dieser wird durch den eingebauten Gleichspannungsverstärker in das Ausgangssignal umgewandelt. Beim SLB-700A/06VA1 wird eine Spannung zwischen 0 und 10 V, beim SLB-700A/06VA2 ein Strom zwischen 4 und 20 mA ausgegeben.

### 3.2 Abdeckung der DMS und der integrierten Elektronik

Zum Schutz der Dehnungsmessstreifen und der integrierten Verstärkerelektronik ist der Dehnungsaufnehmer an den entsprechenden Stellen mit einer speziellen Silikonmasse vergossen. Dieses Verfahren schützt die empfindlichen Bauteile sicher gegen Umwelteinflüsse. Das Silikon darf auf keinen Fall beschädigt oder entfernt werden.

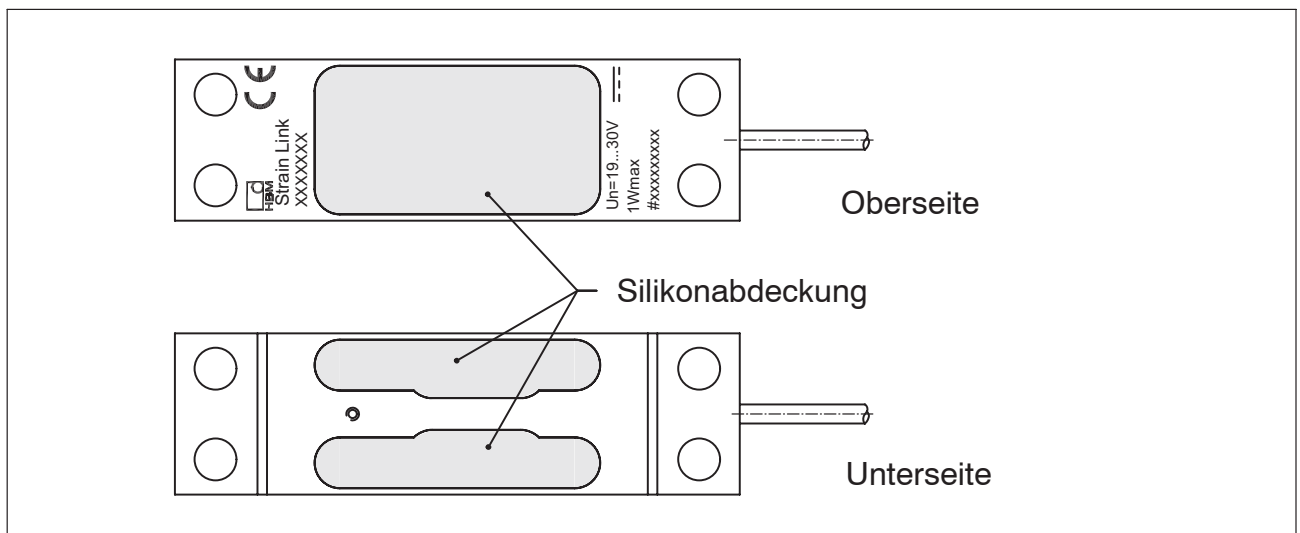


Abb. 3.1: Silikonabdeckung

## 4 Bedingungen am Einbauort

### 4.1 Umgebungstemperatur

Temperaturänderungen führen zu einer Ausdehnung der Konstruktion und damit zu einer Änderung des Nullpunktes. Daher sind die Dehnungsaufnehmer kompensiert, damit sie die thermische Dehnung der Konstruktion ausgleichen und nicht anzeigen.

Diese Kompensation erfolgt für gängige Bau- und Werkzeugstähle, z. B. C45, 1.1730, mit einem Wärmeausdehnungskoeffizienten  $\alpha$  von  $12 \cdot 10^{-6}/^{\circ}\text{C}$ .

Erfolgt die Montage auf einer Konstruktion mit einem anderen Wärmeausdehnungskoeffizienten, ergibt sich ein temperaturabhängiges Signal, das der Temperaturdehnung des Materials abzüglich von  $12 \cdot 10^{-6}/^{\circ}\text{C}$  entspricht.



#### Tipp

Wenn es möglich ist, das Nullsignal in kurzen Abständen neu einzustellen (Nullsetzen), kann der Einfluss der Temperaturänderung auf das Nullsignal vernachlässigt werden.

Der Einfluss der Temperatur auf den Kennwert ist gering. Der Einfluss ergibt sich im Wesentlichen durch die Änderung des E-Moduls des Objektes, auf dem der Dehnungsaufnehmer montiert ist. Unter Wärmeeinfluss wird der E-Modul kleiner und somit entsteht bei der gleichen auf das Bauteil wirkenden Kraft eine größere Dehnung und damit ein höherer Messwert. Bei Kälteeinfluss entstehen sinngemäß umgekehrte Effekte.

Um optimale Messergebnisse zu erzielen, müssen Sie den Nenntemperaturbereich einhalten.

### 4.2 Feuchtigkeit und chemische Einwirkung

Die Aufnehmer erreichen die Schutzklasse IP65 nach DIN EN 60529 (Prüfbedingungen: 0,5 Stunden unter 1 m Wassersäule) und sind damit **kurzzeitig** wasserdicht. Trotzdem sollten die Aufnehmer gegen dauerhafte Einwirkung von Feuchtigkeit oder Witterungseinflüssen wie beispielsweise Regen, Schnee usw. geschützt werden.

Die Aufnehmer müssen gegen Chemikalien geschützt werden, die den Stahl des Aufnehmerkörpers, das Silikon oder das Kabel angreifen.

Bei Aufnehmern aus nichtrostendem Stahl ist zu beachten, dass Säuren und alle Stoffe, die Ionen freisetzen, auch nichtrostende Stähle und deren Schweißnähte angreifen. Die dadurch evtl. auftretende Korrosion kann zum

Ausfall des Aufnehmers führen. Sehen Sie in diesem Fall entsprechende Schutzmaßnahmen vor.

### 4.3 Ablagerungen

Staub, Schmutz und andere Fremdkörper dürfen sich nicht so ansammeln, dass sie einen Teil der Messkraft auf das Gehäuse umleiten und dadurch den Messwert verfälschen (Kraftnebenschluss). Es dürfen sich weder Fremdkörper **auf** noch **unter** dem Dehnungsaufnehmer ansammeln.

## 5 Mechanischer Einbau

### 5.1 Wichtige Vorkehrungen beim Einbau

- Behandeln Sie den Aufnehmer schonend.
- Stellen Sie sicher, dass der Aufnehmer nicht überlastet werden kann.

#### **WARNUNG**

**Bei einer Überlastung des Aufnehmers besteht die Gefahr, dass der Aufnehmer bricht. Dadurch können Gefahren für das Bedienpersonal der Anlage auftreten, in die der Aufnehmer eingebaut ist.**

Treffen Sie geeignete Sicherungsmaßnahmen zur Vermeidung einer Überlastung oder zur Sicherung gegen sich daraus ergebende Gefahren.

### 5.2 Allgemeine Einbaurichtlinien

Die Dehnung bzw. Stauchung der Konstruktion (Messobjekt), die mit dem Aufnehmer erfasst werden soll, wird über die beiden verschraubten Montageflächen in den Aufnehmer übertragen. Deswegen ist eine einwandfrei ebene, verspannungsfreie Kontaktfläche entscheidend für ein reproduzierbares Messergebnis. Für die Messung einer Dehnung von 500  $\mu\text{m}/\text{m}$  muss die Kontaktfläche eine Kraft von ca. 3000 N in den Messkörper einleiten können.

### 5.3 Einbau des SLB-700A/06VA1 und SLB-700A/06VA2

Der Dehnungsaufnehmer SLB700A wird mit vier handelsüblichen Innensechskantschrauben M6 (z. B. DIN 912) auf das Messobjekt geschraubt. Wir empfehlen für optimale Messergebnisse Schrauben der Festigkeitsklasse 12.9, die mit einem Anzugsmoment von 16 N·m in diagonal versetzter Reihenfolge angezogen werden.

- Entfernen Sie Beschichtungen oder Lack- bzw. Farbreste im Montagebereich des Aufnehmers.
- Die Oberfläche des Messobjekts muss ausreichend eben sein (Rauheit  $R_a \leq 3.2$ ).
- Der Dehnungsaufnehmer darf nicht in dem mittleren, abgesetzten Bereich aufliegen (siehe Abb. 5.1) und muss verspannungsfrei montiert werden.
- Montieren Sie den Dehnungsaufnehmer wie in Abb. 5.1 gezeigt.

- Decken Sie den Aufnehmer mit einem Gehäuse ab, wenn die Möglichkeit freier Bewitterung oder die Gefahr mechanischer Beschädigung besteht. Achten Sie dabei auf den Schutz vor Schwitzwasser.

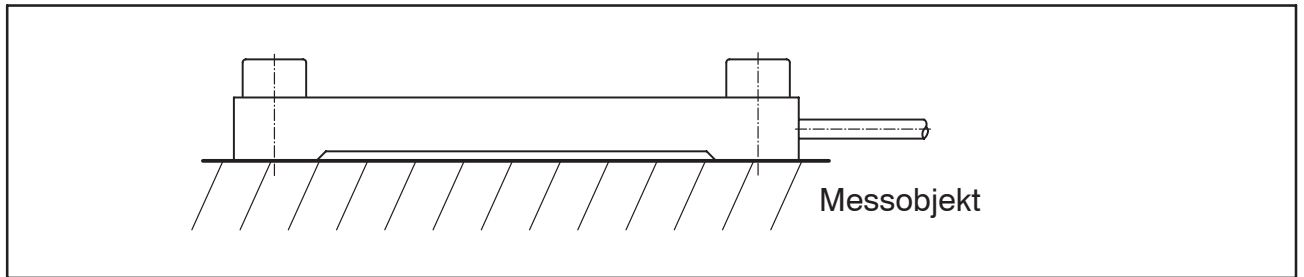


Abb. 5.1: Einbau des Dehnungsaufnehmers

Belasten Sie den Aufnehmer vor der Kalibrierung mehrfach mit der maximalen Belastung, damit sich die Montagefläche setzen kann. Ziehen Sie danach die Befestigungsschrauben mit dem Nenndrehmoment nach.

## 6 Elektrischer Anschluss

Die Dehnungsaufnehmer sind mit einem 6 m langen, sechsadrigen Anschlusskabel ausgerüstet. Die Aufnehmer müssen nach der Montage in der Anwendung kalibriert werden. Die Ausgangssignalkennlinie ist ab Werk auf ca. 330  $\mu\text{m/m}$  für eine Signalspanne von 1 bis 9 V bzw. von 5,5 bis 18,5 mA voreingestellt.

### 6.1 Anschlussbelegung

Anschluss	Aderfarbe	SLB-700A/06VA1	SLB-700A/06VA2
Versorgungsspannung	blau	19 ... 30 V	19 ... 30 V
Versorgungsspannung	schwarz	0 V	0 V
Ausgangssignal	weiß	0 ... 10 V	4 ... 20 mA
Ausgangssignal 0 V	grau	0 V	nicht belegt
Steuereingang IN1 (Nullsetzen)	rot		
Steuereingang IN2 (Kalibrieren)	grün		
Kabelschirm	mit Gehäuse verbunden		



#### **Wichtig**

Beim SLB-700A/06VA1 sind die Versorgungsspannung 0 V (schwarz) und Ausgangssignal 0 V (grau) intern verbunden.



#### **Tipp**

Die Ein- und Ausgänge von SLB-700A/06VA1 und SLB-700A/06VA2 sind gegen Kurzschluss und gegen Verpolung geschützt.

### 6.2 Kabelkürzung

Das Kabel kann ohne Einschränkungen gekürzt werden.

### 6.3 Kabelverlängerung

Verwenden Sie nur abgeschirmte, kapazitätsarme Messkabel zur Verlängerung. Achten Sie auf eine einwandfreie Verbindung mit geringem Übergangs-



widerstand. Bitte beachten Sie, dass die gesamte Leitungslänge 30 m nicht überschreiten darf.

## 6.4 Kalibrierung

Bei der Kalibrierung wird einer bestimmten Dehnung zunächst das Ausgangssignal von 1 V bzw. 5,5 mA zugeordnet. Dies ist der „Messanfang“ oder der Nullpunkt der Kennlinie. Einer beliebigen anderen Dehnung können Sie das Ausgangssignal von 9 V bzw. 18,5 mA zuordnen. Dies ist das „Messende“ oder der Endpunkt der Kennlinie. Dieses Vorgehen ist auch möglich, wenn Sie mit negativen Dehnungen arbeiten, d. h., bei entsprechender Justage führen Stauchungen (negative Dehnungen) zu positiven Spannungs- bzw. Stromänderungen am Ausgang.

Setzung, Einlaufen und Überspringen oder Temperaturdrift können zu Signalen unter bzw. über den kalibrierten Null- oder Endwerten führen. Aus diesem Grund wird die Elektronik so eingestellt, dass oberhalb und unterhalb des kalibrierten Bereiches noch 10% des Messbereichs verfügbar sind.

Um die digitalen Kalibrierfunktionen der Aufnehmer zu nutzen, müssen Sie den Steuereingang IN2 mit entsprechenden Schaltpegeln ansteuern. Sie können dazu entweder einen Taster verwenden oder die digitalen Ausgänge einer programmierbaren Steuerung. Dabei liegen die Schaltpegel für inaktiv zwischen 0 und 4 V, für aktiv zwischen 10 und 30 V.



### **Wichtig**

*Bitte beachten Sie bei der Kalibrierung die mechanischen Grenzwerte in den technischen Daten, insbesondere die maximale Gebrauchsdehnung von 750  $\mu\text{m}/\text{m}$ . Beachten Sie auch, dass sehr kleine Dehnungsunterschiede zwischen Anfangs- und Endpunkt (unter 50  $\mu\text{m}/\text{m}$ ) zu einer sehr großen Verstärkung und damit zu einem „unruhigen“ Signal führen.*

### **Vorgehensweise**

1. Stellen Sie den Ausgangszustand an Ihrem Messobjekt her.
2. Legen Sie für mindestens 2 Sekunden den Schaltpegel für aktiv an den Steuereingang IN2 (10 ... 30 V).

Die Elektronik erkennt den Beginn des Einmessvorganges und das Signal für den Nullpunkt von 1 V bzw. 5,5 mA wird ausgegeben.

3. Bringen Sie die Dehnung für den geplanten Endwert auf.

4. Legen Sie für maximal 1 Sekunde den Schaltpegel für aktiv an den Steuereingang IN2 (10 ... 30 V).  
Die neue Kennlinie wird berechnet und im Gerät permanent gespeichert. Es wird das Signal für den Endpunkt von 9 V bzw. 18,5 mA ausgegeben.

## 6.5 Nullsetzen

Das Nullsetzen erfolgt durch Anlegen des Schaltpegels für aktiv an den Steuereingang IN1 (10 ... 30 V). Das Ausgangssignal wird dann auf den Anfangspunkt der Kennlinie (1 V bzw. 5,5 mA) bei der momentan vorhandenen Dehnung gesetzt.



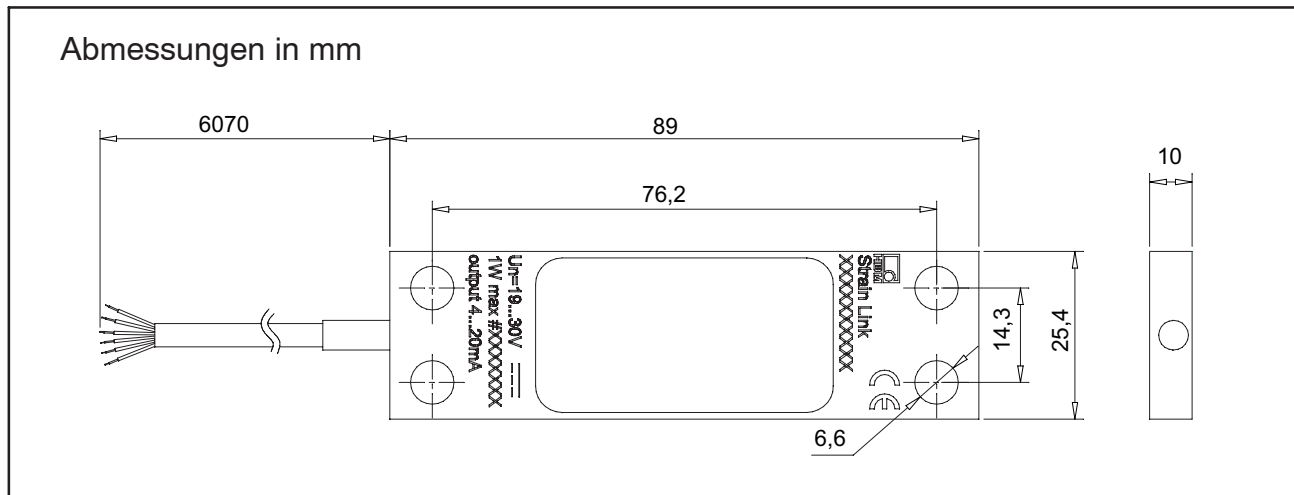
### **Wichtig**

*Der ermittelte Nullwert wird **nicht permanent** gespeichert. Das bedeutet, dass nach dem Abschalten der Betriebsspannung der durch das Nullsetzen ermittelte Nullwert gelöscht ist. Null- und Endpunkt der Kalibrierung werden dagegen permanent gespeichert.*

## 7 Technische Daten

Typ		SLB-700A/06VA1	SLB-700A/06VA2
Nennmessbereich	μm/m	0 ... 500	0 ... 500
Minimaler Arbeitsbereich	μm/m	0 ... 50	0 ... 50
Nullsignal (Signal am Nullpunkt)		1 V	5,5 mA
Endsignal (Signal für Endpunkt)		9 V	18,5 mA
Ausgangssignalspanne		8 V	13 mA
Ausgangssignalebereich		-0,3 ... 11 V	3 ... 21 mA
Relative Linearitätsabweichung	%	0,5	
Grenzfrequenz (-1 dB)	Hz	1000	
Angepasst an Material mit einem Wärmeausdehnungskoeffizienten von	1/°C	12 · 10 <sup>-6</sup>	
Pegel Steuereingänge IN1/IN2	V	aktiv (high): >10 V; inaktiv (low): <4 V	
Referenzspeisespannung	V	24	
Nennbereich der Speisespannung	V DC	19 ... 30	
Maximale Stromaufnahme	mA	20	
Nenntemperaturbereich	°C	-10 ... 50	
Gebrauchstemperaturbereich	°C	-20 ... 60	
Lagerungstemperaturbereich	°C	-40 ... 85	
Maximale Gebrauchsdehnung	μm/m	750	
Rückstellkraft	N	ca. 3200	
Bruchdehnung	μm/m	1500	
Vibration nach DIN EN 60068-2-6	Hz	10 ... 500	
Maximale Schockbelastung nach DIN EN 60068-2-27	g	50	
Schutzart nach DIN EN 60529		IP65	
Anzugsmoment der Montageschrauben mindestens Nennwert	N·m N·m	8 16	
Kabelmantel		PUR	
Kabellänge	m	6	
Kabeldurchmesser	mm	3,5	

## 8 Abmessungen



<b>Sommaire</b>	<b>Page</b>
<b>Consignes de sécurité</b> .....	<b>36</b>
<b>1 Etendue de la livraison</b> .....	<b>40</b>
<b>2 Conseils d'utilisation généraux</b> .....	<b>40</b>
<b>3 Conception et fonctionnement</b> .....	<b>41</b>
3.1 Capteurs .....	41
3.2 Recouvrement des jauges et de l'électronique intégrée .....	41
<b>4 Conditions environnementales à respecter</b> .....	<b>42</b>
4.1 Température ambiante .....	42
4.2 Humidité et sollicitation chimique .....	42
4.3 Dépôts .....	43
<b>5 Montage mécanique</b> .....	<b>44</b>
5.1 Précautions importantes lors du montage .....	44
5.2 Directives de montage générales .....	44
5.3 Montage du SLB-700A/06VA1 et du SLB-700A/06VA2 .....	44
<b>6 Raccordement électrique</b> .....	<b>46</b>
6.1 Code de raccordement .....	46
6.2 Raccourcissement de câble .....	46
6.3 Rallonge de câble .....	47
6.4 Calibrage .....	47
6.5 Mise à zéro .....	48
<b>7 Caractéristiques techniques</b> .....	<b>49</b>
<b>8 Dimensions</b> .....	<b>50</b>



## Consignes de sécurité

### Utilisation conforme

Les extensomètres SLB700A/06VA1 et SLB700A/06VA2 sont exclusivement conçus pour la mesure d'extensions statiques et dynamiques dans le cadre des limites de charge spécifiées dans les caractéristiques techniques. Toute autre utilisation est considérée comme non conforme. Ces extensomètres fonctionnent grâce à une mesure avec shunt. Ceci nécessite de visser les extensomètres à la construction au niveau de laquelle les extensions doivent être mesurées, conformément aux instructions de la présente notice de montage. Les extensomètres SLB700VA1 et SLB700VA2 ne conviennent pas à une mesure **avec** shunt.

Pour garantir un fonctionnement sûr, il faut impérativement respecter les instructions de la notice de montage et du manuel d'emploi, de même que les consignes de sécurité ci-après et les données indiquées dans les caractéristiques techniques. De plus, il convient, pour chaque cas particulier, de respecter les règlements et consignes de sécurité correspondants, tels que les directives pour la prévention des accidents du travail éditées par les caisses professionnelles d'assurance accident.

Les extensomètres ne sont pas destinés à être mis en œuvre comme éléments de sécurité. Reportez-vous à ce sujet au paragraphe "Mesures de sécurité supplémentaires". Afin de garantir un fonctionnement parfait et en toute sécurité des extensomètres, il convient de veiller à un transport, un stockage, une installation et un montage appropriés et d'assurer un maniement scrupuleux.

### Limites de charge

Lors de l'utilisation des extensomètres, respecter impérativement les données fournies dans les caractéristiques techniques. Notamment, les charges maximales indiquées ne doivent en aucun cas être dépassées. Il ne faut pas dépasser les valeurs indiquées dans les caractéristiques techniques pour

- les extensions limites,
- les contraintes de rupture,
- les extensions dynamiques admissibles,
- les limites de température,
- les limites de capacité de charge électrique.

En cas de branchement de plusieurs extensomètres, il faut noter que la répartition des extensions n'est pas toujours uniforme.

## **Utilisation en tant qu'éléments de machine**

Les extensomètres peuvent être utilisés en tant qu'éléments de machine. Dans ce type d'utilisation, il convient de noter que les extensomètres ne peuvent pas présenter les facteurs de sécurité habituels en construction mécanique, car l'accent est mis sur la sensibilité élevée. Reportez-vous à ce sujet au paragraphe "Limites de charge" et aux caractéristiques techniques.

## **Mesures de sécurité supplémentaires**

Les extensomètres ne peuvent déclencher (en tant que capteurs passifs) aucun arrêt (de sécurité). Il faut pour cela mettre en œuvre d'autres composants et prendre des mesures constructives, tâches qui incombent à l'installateur et à l'exploitant de l'installation.

Lorsque les capteurs de force risquent de blesser des personnes ou d'endommager des biens suite à une rupture ou un dysfonctionnement, l'utilisateur doit prendre, en complément, des mesures de sécurité appropriées, afin de répondre au moins aux exigences des directives pour la prévention des accidents du travail (par ex. dispositifs d'arrêt automatiques, limiteurs de charge, dispositifs anti-chute).

L'électronique traitant le signal de mesure doit être conçue de manière à empêcher tout endommagement consécutif à une panne du signal.

## **Risques généraux en cas de nonrespect des consignes de sécurité**

Les capteurs sont conformes au niveau de développement technologique actuel et présentent une parfaite sécurité de fonctionnement. Les capteurs peuvent représenter un danger s'ils sont montés, installés, utilisés et manipulés par du personnel non qualifié sans tenir compte des consignes de sécurité. Toute personne chargée de l'installation, de la mise en service, de l'utilisation ou de la réparation d'un extensomètre doit impérativement avoir lu et compris la notice de montage et notamment les informations relatives à la sécurité. En cas d'utilisation non conforme des extensomètres, de non-respect de la notice de montage et du manuel d'emploi, ainsi que des présentes consignes de sécurité ou de toute autre consigne de sécurité applicable à l'usage des extensomètres, ces derniers peuvent être endommagés ou détruits. Les extensomètres risquent notamment de rompre en cas de surcharge. La rupture d'un extensomètre risque alors d'entraîner des préjudices corporels ou matériels à proximité de l'extensomètre concerné.

Si les extensomètres sont utilisés pour un usage non conforme ou si les consignes de sécurité ou encore les prescriptions de la notice de montage ou du manuel d'emploi sont ignorées, cela peut également entraîner une panne ou des dysfonctionnements des extensomètres qui peuvent à leur tour provoquer des préjudices corporels ou matériels (de par les charges agissant sur les extensomètres ou celles surveillées par ces derniers).



Les performances du capteur et l'étendue de la livraison ne couvrent qu'une partie des techniques de mesure, car les mesures effectuées avec des extensomètres (résistifs) supposent l'emploi d'un traitement de signal électronique. La sécurité doit également être conçue, mise en œuvre et prise en charge par l'ingénieur/le constructeur/l'opérateur de manière à minimiser les dangers résiduels.

### Marquages utilisés dans le présent document

Le marquage suivant signale un risque *potentiel* qui – si les dispositions relatives à la sécurité ne sont pas respectées – *peut avoir* pour conséquence de graves blessures corporelles, voire la mort.

---

## **AVERTISSEMENT**

### Description d'une situation potentiellement dangereuse

Mesures pour éviter/prévenir le danger

---

Le marquage suivant signale une situation qui – si les dispositions relatives à la sécurité ne sont pas respectées – *peut avoir* pour conséquence des dégâts matériels.

---

## **NOTE**

Description d'une situation pouvant causer des dégâts matériels

---

Le marquage suivant signale que des informations importantes concernant le produit ou sa manipulation sont fournies.



### **Important**

Remarques importantes

Le marquage suivant est associé à des conseils d'utilisation ou autres informations utiles.



### **Conseil**

Information/Conseil d'utilisation

## **Transformations et modifications**

Il est interdit de modifier le capteur sur le plan conceptuel ou celui de la sécurité sans accord explicite de notre part. Nous ne pourrions en aucun cas être tenus responsables des dommages qui résulteraient d'une modification quelconque.

## **Entretien**

Les extensomètres SLB-700A/06VA1 et SLB-700A/06VA2 sont sans entretien.

## **Élimination des déchets**

Conformément aux réglementations nationales et locales en matière de protection de l'environnement et de recyclage, les capteurs hors d'usage doivent être éliminés séparément des ordures ménagères normales.

Pour plus d'informations sur l'élimination d'appareils, consultez les autorités locales ou le revendeur auprès duquel vous avez acheté le produit en question.

## **Personnel qualifié**

Sont considérées comme personnel qualifié les personnes familiarisées avec l'installation, le montage, la mise en service et l'exploitation du produit, et disposant des qualifications correspondantes.

En font partie les personnes remplissant au moins une des trois conditions suivantes :

- Vous connaissez les concepts de sécurité de la technique d'automatisation et de mesure et vous les maîtrisez en tant que chargé de projet.
- Vous êtes opérateur des installations de mesure et d'automatisation et avez été formé pour pouvoir utiliser les installations. Vous savez comment utiliser les appareils et technologies décrits dans le présent document.
- En tant que personne chargée de la mise en service ou de la maintenance, vous disposez d'une formation vous autorisant à réparer les installations de mesure et d'automatisation. Vous êtes en outre autorisé à mettre en service, mettre à la terre et marquer des circuits électriques et appareils conformément aux normes de la technique de sécurité.

De plus, il convient, pour chaque application, de respecter les règlements et consignes de sécurité correspondants. Ceci s'applique également à l'utilisation des accessoires.

Les extensomètres doivent uniquement être manipulés par du personnel qualifié conformément aux caractéristiques techniques et aux consignes de sécurité.

## 1 Etendue de la livraison

- 1 extensomètre SLB-700A/06VA1 (version munie d'une sortie tension 0 à 10 V) ou SLB-700A/06VA2 (version munie d'une sortie de courant 4 à 20 mA)
- 1 notice de montage

## 2 Conseils d'utilisation généraux

Les extensomètres SLB-700A/06VA1 et SLB-700A/06VA2 sont idéals pour la mesure d'extensions positives et négatives. Ils mesurent les extensions dynamiques et statiques avec une précision élevée et doivent donc être maniés avec précaution. Dans ce cadre, le transport et le montage doivent être réalisés avec un soin particulier. Les chocs et les chutes risquent de provoquer un endommagement irréversible du capteur.

Les limites des sollicitations mécaniques, thermiques et électriques autorisées sont indiquées dans les caractéristiques techniques. Veuillez en tenir compte lors de la conception de l'agencement de mesure, lors du montage et en fonctionnement.

## 3 Conception et fonctionnement

### 3.1 Capteurs

Les 4 vis permettent d'assurer une connexion à adhérence parfaite entre l'extensomètre et votre échantillon. La sollicitation mécanique entraîne une variation de longueur de l'échantillon transmise à l'extensomètre. Cette variation de longueur entraîne une variation de la résistance électrique des jauges installées proportionnelle à l'allongement. Celle-ci est convertie en signal de sortie par l'amplificateur à courant continu. Dans le cadre du SLB-700A/06VA1, la tension sortante est comprise entre 0 et 10 V, dans le cadre du SLB-700A/06VA2 le courant sortant se situe entre 4 et 20 mA.

### 3.2 Recouvrement des jauges et de l'électronique intégrée

Pour protéger les jauges et l'électronique d'amplificateur intégrée, l'extensomètre est scellé au silicone spécial aux endroits correspondants. Ce procédé permet de protéger efficacement les composants sensibles contre les influences ambiantes. Le silicone ne doit être ni endommagé ni retiré.

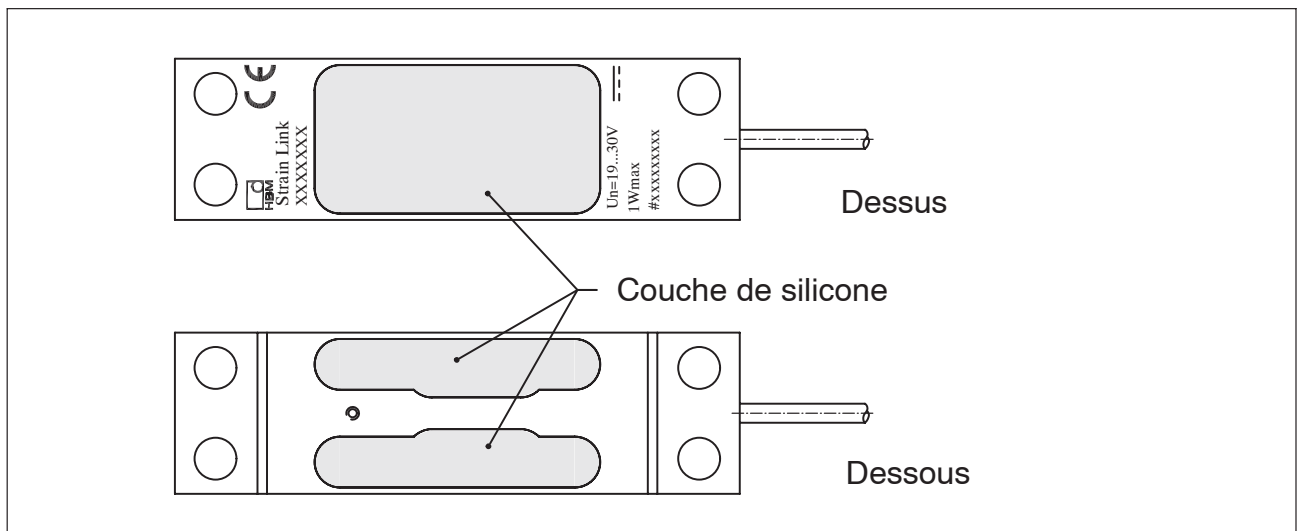


Fig. 3.1: Couche de silicone

## 4 Conditions environnementales à respecter

### 4.1 Température ambiante

Les variations de température entraînent une extension de la construction et donc une modification du zéro. C'est la raison pour laquelle les extensomètres sont compensés, pour que l'allongement thermique de la construction soit compensé et non affiché

Cette compensation est réalisée pour pour les aciers de construction et à outils courants, tels que C45, 1.1730, avec un coefficient de dilatation thermique  $\alpha$  de  $12 \cdot 10^{-6}/^{\circ}\text{C}$ .

Si le montage est réalisé sur une construction ayant un autre coefficient de dilatation thermique, le signal dépendant de la température obtenu correspond à la dilatation thermique du matériau déduction faite de  $12 \cdot 10^{-6}/^{\circ}\text{C}$ .



#### Conseil

Si un nouveau réglage (mise à zéro) du signal zéro à courts intervalles est possible, l'influence de la variation de température sur le signal zéro est négligeable.

L'effet de la température sur la sensibilité est faible. Cet effet résulte essentiellement de la variation du module E de l'objet sur lequel l'extensomètre a été monté. Sous l'effet de la chaleur, le module E devient plus compact et l'allongement obtenu à force égale exercée sur le composant devient donc supérieur tout comme la valeur de mesure. Sous l'effet du froid, les effets obtenus sont donc les effets inverses.

Il convient de respecter la plage nominale de température pour obtenir de meilleurs résultats de mesure.

### 4.2 Humidité et sollicitation chimique

Les capteurs atteignent la classe de protection IP65 selon DIN EN 60529 (conditions d'essai : 0,5 heure sous une colonne d'eau de 1 m) et sont donc étanches à l'eau **à court terme**. Cependant, les capteurs devraient être protégés contre l'influence permanente de l'humidité ou des intempéries, telles que la pluie, la neige, etc.

Les capteurs doivent être protégés contre les produits chimiques susceptibles d'attaquer l'acier du corps du capteur, le silicone ou le câble.

Pour les capteurs en acier inoxydable, il faut noter que les acides et toutes les substances libérant des ions attaquent également les aciers inoxydables et

leurs cordons de soudure. La corrosion éventuelle qui peut en résulter est susceptible d'entraîner la défaillance du capteur. Prévoir donc des mesures de protection correspondantes dans un tel cas.

### 4.3 Dépôts

La poussière, la saleté et autres corps étrangers ne doivent pas s'accumuler sous peine de dévier une partie de la force de mesure sur le boîtier et ainsi de fausser la valeur de mesure (shunt). Des corps étrangers ne doivent s'accumuler ni **sur** ni **sous** l'extensomètre.

## 5 Montage mécanique

### 5.1 Précautions importantes lors du montage

- Manipuler le capteur avec précaution.
- S'assurer que le capteur ne peut pas être surchargé.

#### AVERTISSEMENT

**En cas de surcharge du capteur, ce dernier risque de se briser. Cela peut être dangereux pour les opérateurs de l'installation dans laquelle le capteur est monté.**

Prendre des mesures de protection appropriées pour éviter toute surcharge ou pour se protéger des risques qui pourraient en découler.

### 5.2 Directives de montage générales

L'extension ou la déformation de la construction (échantillon) à acquérir à l'aide du capteur est transmise au capteur par le biais des deux surfaces de montage vissées. C'est la raison pour laquelle une surface de contact parfaitement plane et exempte de toute déformation est prépondérante pour un résultat de mesure reproductible. Pour la mesure d'un allongement de 500  $\mu\text{m}/\text{m}$ , la surface de contact doit pouvoir introduire une force d'env. 3000 N dans l'échantillon.

### 5.3 Montage du SLB-700A/06VA1 et du SLB-700A/06VA2

L'extensomètre SLB700A est vissé à l'aide de 6 vis à 6 pans creux M6 (par ex. DIN 912) en vente dans le commerce sur l'échantillon. En vue d'un résultat de mesure optimal, nous recommandons des vis possédant une classe de dureté de 12.9, serrées en croix avec un couple de 16 N·m.

- Retirez les enduits ou résidus de verni ou de peinture dans la zone de montage du capteur.
- La surface de l'échantillon doit être assez plane (rugosité  $R_a \leq 3.2$ ).
- L'extensomètre ne doit pas prendre appui sur sa partie centrale entaillée (voir Fig. 5.1) et doit être monté sans déformation.
- Montez l'extensomètre comme indiqué à la Fig. 5.1.

- Couvrez le capteur à l'aide d'un boîtier, en cas d'exposition aux intempéries ou de risque d'endommagement mécanique. Veillez, dans ce cadre, à le protéger contre la condensation.

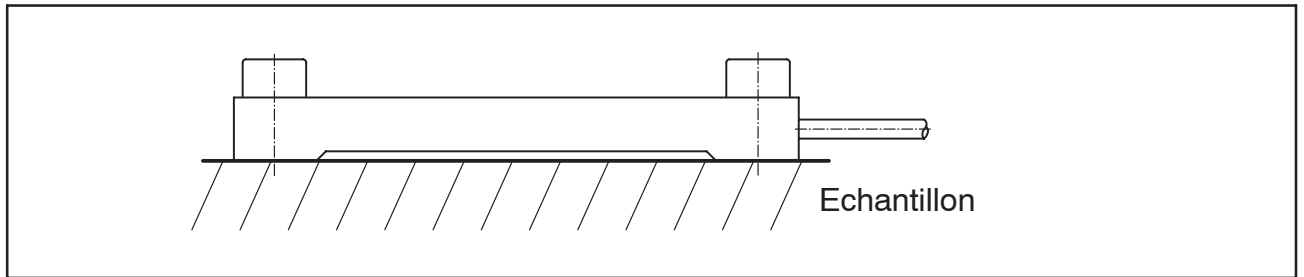


Fig. 5.1 : Montage de l'extensomètre

Préalablement au calibrage, soumettez de manière répétée le capteur à une charge maximale pour que la surface de montage puisse se tasser. Resserrez ensuite les vis de fixation en utilisant le couple nominal.



## 6 Raccordement électrique

Les extensomètres sont équipés d'un câble de liaison 6 fils de 6 m de long. Les capteurs doivent, à l'issue du montage, être calibrés dans le cadre de l'application. La courbe caractéristique du signal de sortie est préréglée en usine à env. 330  $\mu\text{m/m}$  pour une plage de signal de 1 à 9 V ou de 5,5 à 18,5 mA.

### 6.1 Code de raccordement

Connecteur	Couleur du fil	SLB-700A/06VA1	SLB-700A/06VA2
Tension d'alimentation	bleu	19 ... 30 V	19 ... 30 V
Tension d'alimentation	noir	0 V	0 V
Signal de sortie	blanc	0 ... 10 V	4 ... 20 mA
Signal de sortie 0 V	gris	0 V	Libre
Entrée de contrôle IN1 (mise à zéro)	rouge		
Entrée de contrôle IN2 (calibrage)	vert		
Blindage de câble	relié au boîtier		



#### **Important**

Dans le cadre du SLB-700A/06VA1, la tension d'alimentation 0 V (noir) et le signal de sortie 0 V (gris) sont reliés en interne.



#### **Conseil**

Les entrées et sorties des SLB-700A/06VA1 et SLB-700A/06VA2 sont protégées contre les courts-circuits et les erreurs de polarité.

### 6.2 Raccourcissement de câble

Un raccourcissement du câble est possible sans restriction.

### 6.3 Rallonge de câble

Utiliser uniquement des câbles de mesure blindés de faible capacité comme rallonges. Veiller à obtenir une connexion parfaite avec une faible résistance de contact. Veuillez noter que la longueur de câble totale ne doit pas dépasser 30 m.

### 6.4 Calibrage

Lors du calibrage, le signal de sortie de 1 V ou 5,5 mA est d'abord affecté à un certain allongement. Il s'agit du "début de la mesure" ou du zéro de la courbe caractéristique. Vous pouvez affecter le signal de sortie de 9 V ou 18,5 mA à un autre allongement quelconque. Il s'agit de la "fin de la mesure" ou de la pleine échelle de la courbe caractéristique. Cette procédure est également possible lorsque vous utilisez des extensions négatives, c'est-à-dire qu'avec un ajustement correspondant, les déformations (allongements négatifs) entraînent des variations positives de tension ou de courant au niveau de la sortie.

Un tassement, un rétrécissement, un dépassement ou une dérive de température peuvent entraîner des signaux inférieurs ou supérieurs au zéro ou aux valeurs de pleine échelle étalonnés. C'est pour cette raison que l'électronique est réglée de façon à ce que 10 % de l'étendue de mesure soient encore disponibles au-dessus et en dessous de la plage étalonnée.

Pour utiliser les fonctions de calibrage du capteur, la commande de l'entrée de contrôle IN2 doit avoir lieu à l'aide des niveaux de commutation correspondants. A cet effet, vous pouvez utiliser soit un palpeur soit les sorties numériques d'un API. Dans ce cadre, les niveaux de commutation pour "inactif" sont compris entre 0 et 4 V et ceux pour actif entre 10 et 30 V.



#### **Important**

*Lors du calibrage, veuillez respecter les valeurs limites mécaniques indiquées dans les caractéristiques techniques et notamment l'allongement utile maximal de 750  $\mu\text{m}/\text{m}$ . Notez également que des écarts d'allongement extrêmement faibles entre le point de début et de fin (moins de 50  $\mu\text{m}/\text{m}$ ) entraînent une amplification extrêmement importante et donc un signal "instable".*

#### **Procédure**

1. Etablissez l'état de départ au niveau de votre échantillon.
2. Apposez, pendant 2 secondes au moins, le niveau de commutation pour "actif" sur l'entrée de contrôle IN2 (10 ... 30 V).

L'électronique détecte le début du processus d'étalonnage et le signal du zéro de 1 V ou 5,5 mA sort.

3. Apposez l'allongement de la pleine échelle prévue.
4. Apposez, pendant 1 seconde au maximum, le niveau de commutation pour "actif" sur l'entrée de contrôle IN2 (10 ... 30 V).

La nouvelle courbe caractéristique est calculée et enregistrée durablement sur l'appareil. Le signal de la pleine échelle de 9 V ou 18,5 mA sort.

## 6.5 Mise à zéro

La mise à zéro est réalisée en apposant le niveau de commutation pour "actif" à l'entrée de contrôle IN1 (10 ... 30 V). Le signal de sortie est ensuite mis sur le point de début de la courbe caractéristique (1 V ou 5,5 mA) avec l'allongement actuellement disponible.



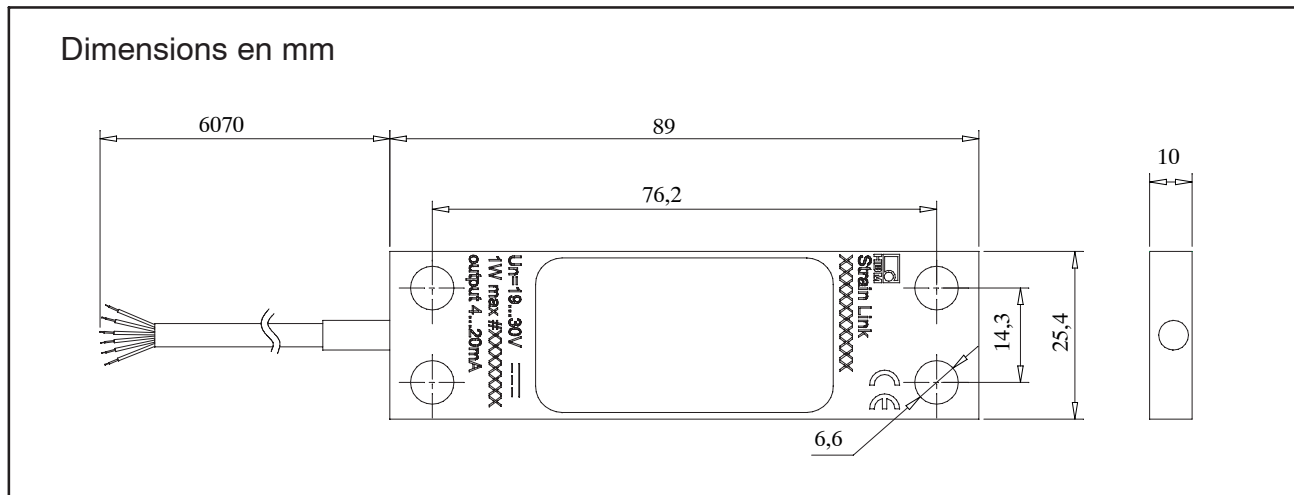
### **Important**

*L'enregistrement de la valeur de remise à zéro **n'est pas définitif**. Cela signifie qu'à l'issue d'une mise hors tension, le zéro déterminé par la remise à zéro est effacé. En revanche, le zéro et la pleine échelle du calibrage sont enregistrés définitivement.*

## 7 Caractéristiques techniques

Type		SLB-700A/06VA1	SLB-700A/06VA2
Plage nominale de mesure	μm/m	0 ... 500	0 ... 500
Plage de fonctionnement minimal	μm/m	0 ... 50	0 ... 50
Signal zéro (signal au point zéro)		1 V	5,5 mA
Signal de fin (signal de pleine échelle)		9 V	18,5 mA
Plage de signal de sortie		8 V	13 mA
Etendue de signal de sortie		-0,3 ... 11 V	3 ... 21 mA
Erreur relative de linéarité	%	0,5	
Fréquence de coupure (-1 dB)	Hz	1000	
Adaptée au matériau ayant un coefficient de dilatation thermique de	1/°C	12 · 10 <sup>-6</sup>	
Niveau d'entrées de contrôle IN1/IN2	V	actif (high) : >10 V ; inactif (low) : <4 V	
Tension d'alimentation de référence	V	24	
Plage nominale de la tension d'alimentation	V c.c.	19 ... 30	
Consommation maxi. de courant	mA	20	
Plage nominale de température	°C	-10 ... 50	
Plage utile de température	°C	-20 ... 60	
Plage de température de stockage	°C	-40 ... 85	
Allongement utile maximal	μm/m	750	
Contrainte de rupture	μm/m	1500	
Force de rappel	N	env. 3200	
Vibration selon DIN EN 60068-2-6	Hz	10 ... 500	
Résistance au choc maximale selon DIN EN 60068-2-27	g	50	
Degré de protection selon DIN EN 60529		IP65	
Couple de serrage des vis de montage Au moins Valeur nominale	N·m N·m	8 16	
Gaine de câble		PUR	
Longueur de câble	m	6	
Diamètre de câble	mm	3,5	

## 8 Dimensions





Subject to modifications.

All product descriptions are for general information only. They are not to be understood as a guarantee of quality or durability.

Änderungen vorbehalten.

Alle Angaben beschreiben unsere Produkte in allgemeiner Form. Sie stellen keine Beschaffenheits- oder Halbarkeitsgarantie im Sinne des §443 BGB dar.

Sous réserve de modifications.

Les caractéristiques indiquées ne décrivent nos produits que sous une forme générale. Elles n'impliquent aucune garantie de qualité ou de durabilité.

托驰（上海）工业传感器有限公司  
上海市嘉定区华江路348号1号楼707室  
电话：+86 021 51069888  
传真：+86 021 51069009  
邮箱：zhang@yanatoo.com  
网址：www.sensor-hbm.com

measure and predict with confidence

