

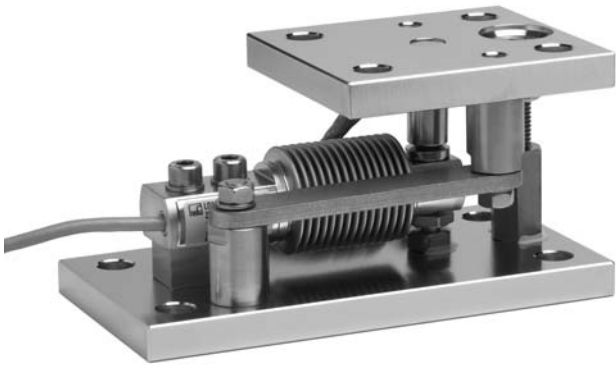
Z6/M...

Weighing module for
30 kg ... 500 kg

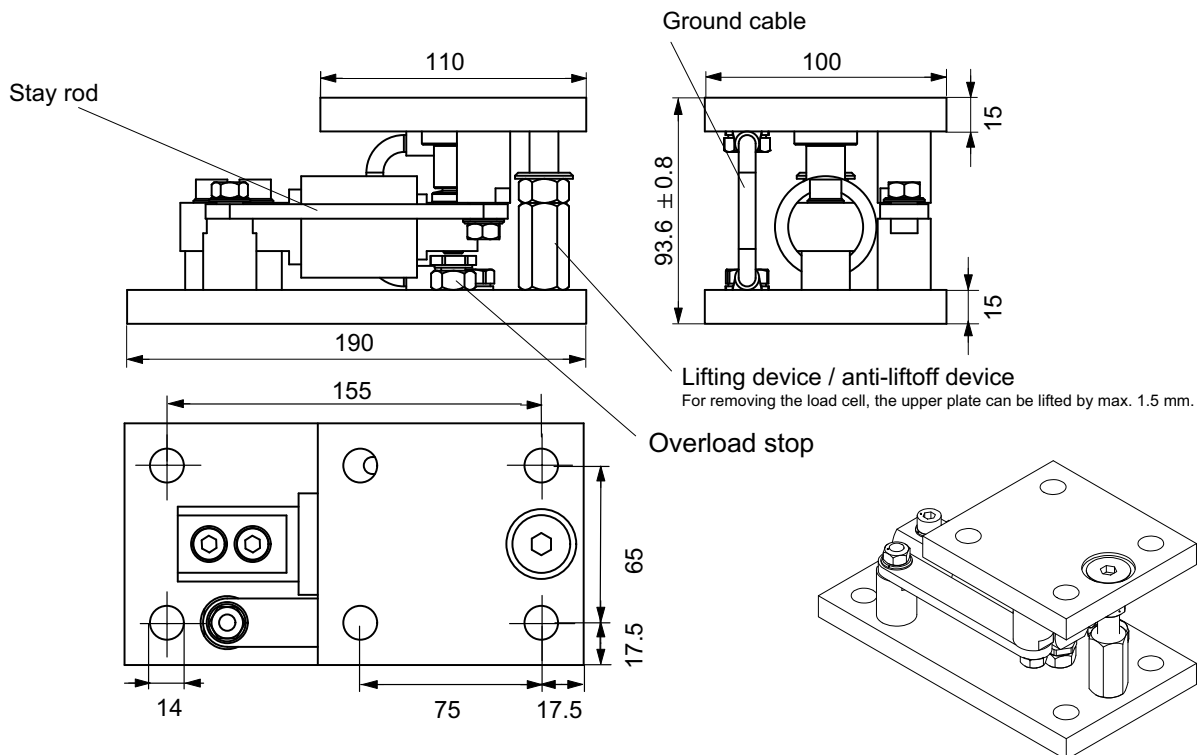
Special features

- Equipped with load cell Z6F...class D1 or C3 according to OIML R60
- With overload stop and stay rod
- Maintenance-free
- Compact installation at minimum height
- Easy installation
- Two versions available:
 - Galvanized material or
 - Stainless steel (preferred types)
- Self-restoring due to pendulum bearing
- With anti-liftoff device and lifting device
- Explosion protection versions as per ATEX, IECEx, FM (US) and EAC (optional)

Data sheet



Dimensions (in mm, 1mm = 0.03937 inches)



Specifications of the weighing module Z6/M...

Maximum capacity	kg	30	50	100	200	50
Limit load	% of Max. capacity	150				
Breaking load	% of Max. capacity	200				
Restoring force (at 1 mm side offset)	% of applied load	6.1				
Max. side offset transverse to the stay rod axis*	mm	± 1.5				
Max. static horizontal force in the stay rod direction	kN	5				
Max. lift-off force	kN	5				
Material		Galvanized or Stainless steel				
Weight (depending on the version, incl. load cell)	kg	8...9				
Adjustment range of the overload stop	mm	≤0.36	≤0.35	≤0.25	≤0.45	≤0.8

* when horizontal adjustment the upper module plate

For more information on the corresponding load cells, see the Z6F... data sheet

Options

Explosion protection versions to IECEx, ATEX and FM (USA)

AI1/21 IECEx+ATEX Zone 1/21 + FM intrinsically safe, II 2G Ex ia IIC T6/T4 Gb, II 2D Ex ia IIIC T125°C Db*

AI2/21** IECEx+ATEX Zone 2/21 not intrinsically safe, II 3G Ex ec IIC T6/T4 Gc, II 2D Ex tb IIIC T125°C Db*

* With EU type examination certificate (BVS13ATEX E 108 X) and IECEx Certificate of Conformity (IECEx BVS 13.0109 X)

** Option AI2/21 IEC + ATEX zone 2/21 includes zone 2/22

Explosion protection versions to EAC (Eurasian Economic Union, with the member states: Russia, Belarus, Armenia, Kazakhstan, Kyrgyzstan)

R1/21 EAC Zone 1/21 TR ZU 012/2011 Ex certificate, 1 Ex ia IIC T6/T4 Gb X / Ex ia IIIC T125°C Db X***

R2/21 EAC Zone 2/21 TR ZU 012/2011 Ex certificate, 2 Ex nA IIC T6/T4 Gc X / Ex tb IIIC T125°C Db X***

*** With certificate "СЕРТИФИКАТ СООТВЕТСТВИЯ № ТС RU C-DE.ГБ08.В.01138"

Placing orders

When placing an order please specify the ordering numbers from the tables. If you need other versions (accuracy classes, explosion protection, other cable lengths or materials, etc.) for the available products, please look in the overview "Z6/M-Modules (incl. load cell Z6FC3...), optional versions". You can generate a specific ordering number there from your individual requirements.

Ordering codes Z6/M-Modules (incl. load cell Z6FC3...), preferred types

Type	Z6/M
Material	stainless steel
Accuracy class	C3 (OIML)
Max. capacities	Order-no.
30 kg	1-Z6/M3LBR30KG
50 kg	1-Z6/M3LBR50KG
100 kg	1-Z6/M3LBR100KG
200 kg	1-Z6/M3LBR200KG
500 kg	1-Z6/M3LBR500KG


Z6/M-Modules (incl. load cell Z6FC3...), optional versions

Order No.
K-Z6M

Code	Option 1: Material
R	Stainless steel
N	Galvanized

Code	Option 2: Accuracy class
D1	D1 (OIML)
C3	C3 (OIML)

Code	Option 3: Capacity
30	30 kg [only with Option 4 = N/(AI2/22)]
50	50 kg
100	100 kg
200	200 kg
500	500 kg

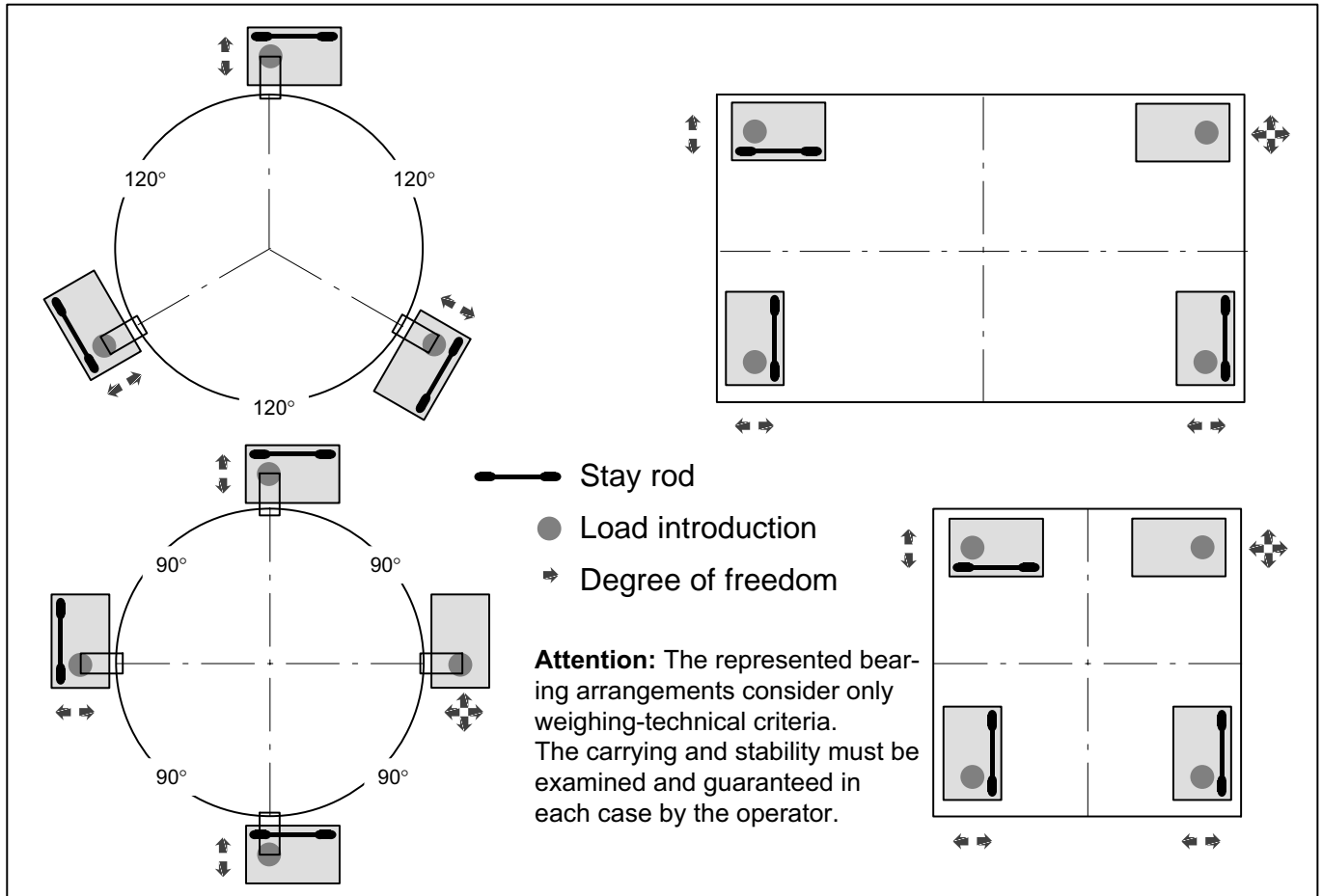
Code	Option 4: Explosion protection
N	No explosion protection
AI1/21	IECEX-ATEX Zone1/21 and FM  [not with Option 3 = 30]
AI2/21	IECEX-ATEX Zone2/21
R1/21	EAC Zone 1/21
R2/21	EAC Zone 2/21

Code	Option 5: Cable length
S3	3 m (Standard)
6	6 m
12	12 m

K-Z6M - - - - - -

Not all codes can be combines with each other. Please take heed of the terms in the square brackets!

Mounting example of weighing modules with stay rods:



Subject to modifications.
 All product descriptions are for general information only. They are not to be understood as a guarantee of quality or durability.

托驰（上海）工业传感器有限公司
 上海市嘉定区华江路348号1号楼707室
 电话：+86 021 51069888
 传真：+86 021 51069009
 邮箱：zhang@yanatoo.com
 网址：www.sensor-hbm.com

measure and predict with confidence

