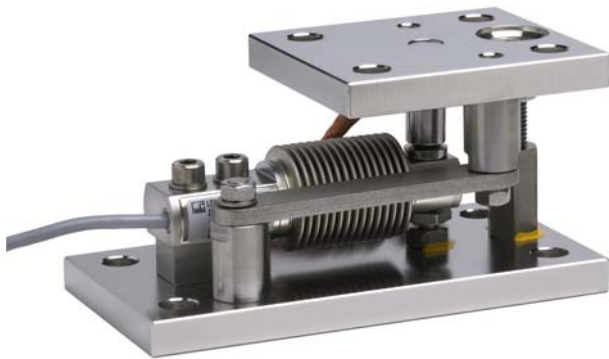


Mounting Instructions | Montageanleitung | Notice de montage

English

Deutsch

Français



Z6/M

托驰（上海）工业传感器有限公司
上海市嘉定区华江路348号1号楼707室
电话: +86 021 51069888
传真: +86 021 51069009
邮箱: zhang@yanatoo.com
网址: www.sensor-hbm.com

Subject to modifications.
All product descriptions are for general information only.
They are not to be understood as a guarantee of quality or durability.

Änderungen vorbehalten.
Alle Angaben beschreiben unsere Produkte in allgemeiner Form. Sie stellen keine Beschaffenheits- oder Haltbarkeitsgarantie dar.

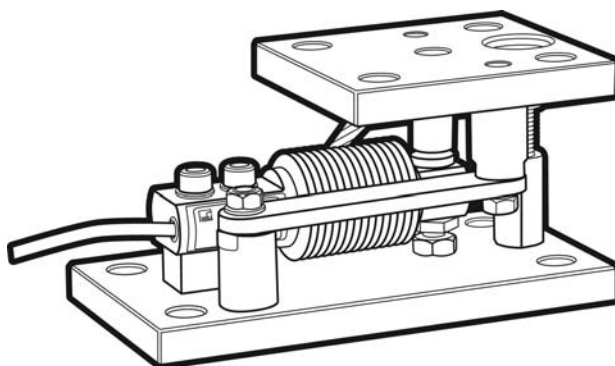
Sous réserve de modifications.
Les caractéristiques indiquées ne décrivent nos produits que sous une forme générale. Elles n'impliquent aucune garantie de qualité ou de durabilité.

Mounting Instructions | Montageanleitung | Notice de montage

English

Deutsch

Français



Z6/M

1	Safety instructions	3
2	Markings used	6
2.1	The markings used in this document	6
2.2	Symbols on the product	7
3	General	8
4	Prior to mounting	9
5	Mounting	10
6	Operation	12
7	Mounting examples for weigh. modules with stay rods	13
8	Connection	14
8.1	Connecting several weighing modules in parallel	15
8.2	Connection using four-wire circuitry	15
8.3	Cable extensions	16
9	Dimensions	17
10	Specifications for the Z6/M... weighing module	18
11	Specifications for the Z6... load cells	19

1 Safety instructions

In cases where a breakage would cause injury to persons or damage to equipment, the user must take appropriate safety measures (such as fall protection, overload protection, etc.). For safe and trouble-free operation, weighing modules must not only be correctly transported, stored, sited and installed but must also be carefully operated and maintained.

It is essential to comply with the relevant accident prevention regulations. In particular you should take into account the limit loads quoted in the specifications.

Use in accordance with the regulations

Z6/M... type weighing modules are conceived for weighing applications. Use for any additional purpose shall be deemed to be *not* in accordance with the regulations.

In the interests of safety, the weighing modules should only be operated as described in the Mounting Instructions. It is also essential to observe the appropriate legal and safety regulations for the application concerned during use. The same applies to the use of accessories.

The weighing modules are not safety elements within the meaning of its use as intended. Proper and safe operation of this transducer requires proper transportation, correct storage, assembly and mounting and careful operation and maintenance.

General dangers due to non-observance of the safety instructions

The Z6/M... weighing modules correspond to the state of the art and are fail-safe. The tank weighing modules can give rise to residual dangers if they are inappropriately installed and operated by untrained personnel.

Everyone involved with the installation, commissioning, maintenance or repair of a force transducer must have read and understood the Mounting Instructions and in particular the technical safety instructions.

Residual dangers

The scope of supply and performance of the weighing modules covers only a small area of weighing technology. In addition, equipment planners, installers and operators should plan, implement and respond to the safety engineering considerations of weighing technology in such a way as to minimise residual dangers. Prevailing regulations must be complied with at all times. There must be reference to the residual dangers connected with weighing technology.

Environmental conditions

In the context of your application, please note that all materials which release chlorine ions will attack all grades of stainless steel and their welding seams. In such cases the operator must take appropriate safety measures.

Prohibition of own conversions and modifications

The weighing modules must not be modified from the design or safety engineering point of view except with our express agreement. Any modification shall exclude all liability on our part for any damage resulting therefrom.

Qualified personnel

These weighing modules are only to be installed by qualified personnel strictly in accordance with the technical data and with the safety rules and regulations which follow. It is also essential to observe the appropriate legal and safety regulations for the application concerned. The same applies to the use of accessories.

Qualified personnel means persons entrusted with the installation, fitting, commissioning and operation of the product who possess the appropriate qualifications for their function.





Accident prevention

Although the specified nominal capacity in the destructive range is several times the full scale value, the relevant accident prevention regulations from the trade associations must be taken into consideration.

2 Markings used

2.1 The markings used in this document

Important instructions for your safety are specifically identified. It is essential to follow these instructions in order to prevent accidents and damage to property.

Symbol	Significance
 CAUTION	This marking warns of a <i>potentially</i> dangerous situation in which failure to comply with safety requirements <i>can</i> result in slight or moderate physical injury.
Notice	This marking draws your attention to a situation in which failure to comply with safety requirements <i>can</i> lead to damage to property.
 Important	This marking draws your attention to <i>important</i> information about the product or about handling the product.
 Tip	This marking indicates application tips or other information that is useful to you.
 Information	This marking draws your attention to information about the product or about handling the product.
<i>Emphasis</i> See....	Italics are used to emphasize and highlight text and references to other chapters and external documents.

2.2 Symbols on the product



CE mark

The CE mark enables the manufacturer to guarantee that the product complies with the requirements of the relevant EC directives (the declaration of conformity is available at <http://www.hbm.com/HBMdoc>).

3 General

HBM supplies Z6/M... weighing modules for max. capacities from 30 kg to 200 kg and 500 kg. The weighing modules are designed mainly for use in tank weighing applications.

These weighing modules are fitted with lateral stay rods. An integral over-load stop is also fitted.

The modules consist of a base plate, the load cell complete with load application elements, and the cover plate. A pendulum support is used for the load application, providing compensation for horizontal load shifts (such as may occur as a result of thermal strain, for example). The weighing modules are pre-assembled and a grounding cable is supplied.

4 Prior to mounting

- Care should be taken to ensure that all surfaces for siting and mounting are clean, smooth and level. Depending on the mounting conditions, any leveling error can be compensated for by using suitable wedges and compensation plates (permanently welded) or by grinding away the mounting surface, for example.



Important

On no account must the module plates be ground.

- The base or foundation frame must be sufficiently rigid to prevent unacceptable deformation under load (such as sagging).
- In order to keep the mounting as free of constraining forces as possible, the fastening holes on the foundation frame and container joint must be suitably aligned.
- Every effort should be made to ensure uniform loading on the support points. Care should be taken to adjust the height on the support points correctly (compensating shims need to be available). This is especially important in the case of statically undefined supports.

5 Mounting

- The module is delivered with lifted cover plate. Prior to mounting, the cover plate has to be lowered by unscrewing the nut.
- When mounting the container it is important to ensure that no sudden heavy loads are applied to the module, for instance when lowering it onto the supports. Even transient loads can damage the load cell if they exceed its limit values.

Notice

The factory-fitted overload stop is designed for handling overloads during normal operation. It is not designed to deal with short, sharp loads imposed during mounting, as these commonly amount to a multiple of the permissible limit values.

- In the case of statically undefined supports, non-uniform loading of the modules occurs due to flexibility as the load is taken up or due to inaccuracy in the height adjustment. This non-uniformity should be checked on the individual load cells by applying an excitation voltage and comparing the output voltages. To prevent overloads, any large non-uniformity should be compensated for by inserting shims under the supports that are least loaded.
- When tanks are heavy or mounting conditions are unfavorable, the use of mounting aids such as auxiliary supports or lifting equipment is recommended.
- The weighing modules must be installed so that they are not exposed to lateral forces in the initial state. This means the built-in pendulum support must be

aligned as near to the perpendicular as possible. This is the case when the foundation and tank joint are horizontal and the fastening holes on the foundation and container joint are suitably aligned.

- The base plate and cover plate should be firmly fastened to the foundation and tank respectively.
- The fitted EEK4 grounding cable is used to protect against welding currents that can damage the electronic parts of the transducers.

Notice

If the load cell is to be replaced, the upper module plate can be lifted by max. 1.5 mm.

Lock the nut in place to hold the upper module plate in this position. Dismounting the tank itself is not required.

The following tightening moments prescribed for the fastening bolts must be adhered to when replacing the load cell:

up to 200 kg max. Capacity

Galvanized version: 34 N·m

Stainless steel version: 23 N·m

500 kg max. Capacity

Galvanized version: 76 N·m

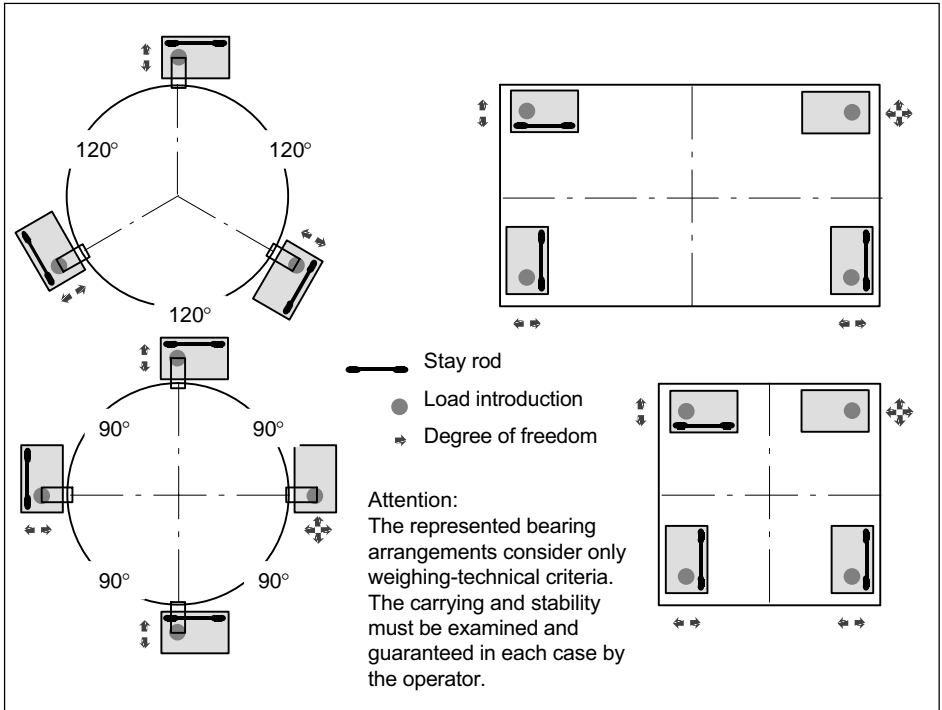
Stainless steel version: 45 N·m

The setting of the overload stop must be checked after the replacement load cell has been installed. Please refer to the specifications for the weighing module: "Setting range for the overload stop".

6 Operation

- Dust, dirt and other foreign bodies must not be allowed to collect in such a way that movement of the transducer (bellows) is restricted.
- The gap for the overload stop and lateral stops must also be kept free of contamination.
- The play of the overload stop (for details see table "Specifications for the weighing module") should be checked at regular intervals, for instance with a feeler gage, and be readjusted if necessary.
- The weighing modules should not be completely relieved of load. This prevents the load application elements from lifting out.
- Lateral displacements which exceed the maximum permissible value and do not act in the direction of the stay rods should be avoided by aligning the other modules appropriately, or should be absorbed by other stops or retention devices.
- The play in the stay rods should be regularly checked and if necessary readjusted.

7 Mounting examples for weigh. modules with stay rods



8 Connection

The load cells on weighing modules can be connected to:

- Carrier-frequency measuring amplifiers or
- DC meas. amplifiers suitable for strain-gage based measurement systems.

The wiring assignment of the load cell is shown in *Fig. 8.1*.

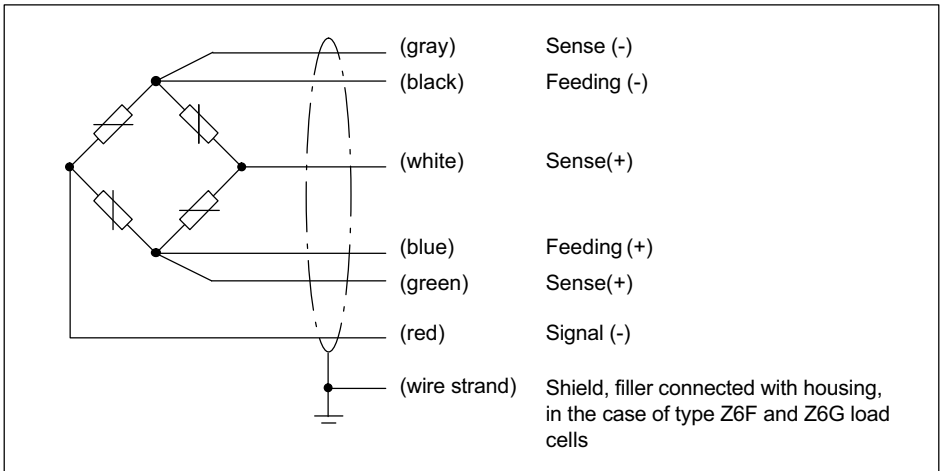


Fig. 8.1 Wiring assignment of the load cell (six-wire circuitry)

Electrical and magnetic fields often induce interference voltages in the measurement circuit. Therefore:

- use shielded, low-capacitance measurement cables only (HBM cables fulfill both conditions)
- do not route the measurement cables parallel to power lines and control circuits. If this is not possible, protect the measurement cable with steel conduit for example
- avoid stray fields from transformers, motors and contact switches

8.1 Connecting several weighing modules in parallel

Load cells can be wired in parallel by joining the load cell cable core ends of the same color. In this case the HBM range offers terminal boxes of the VKK... series. The output signal is then the average of the individual output signals.



CAUTION

Overloading of an individual load cell cannot then be detected from the output signal.

8.2 Connection using four-wire circuitry

In the event of connections to amplifiers using four-wire circuitry, the cores bl (blue) and gn (green) should be connected together, as should bk (black) and gr (gray). The following deviations occur in the case of cable of

original length (3 m): Sensitivity -0.2% and temperature coefficient $-0.01\%/10\text{ K}$.

8.3 Cable extensions

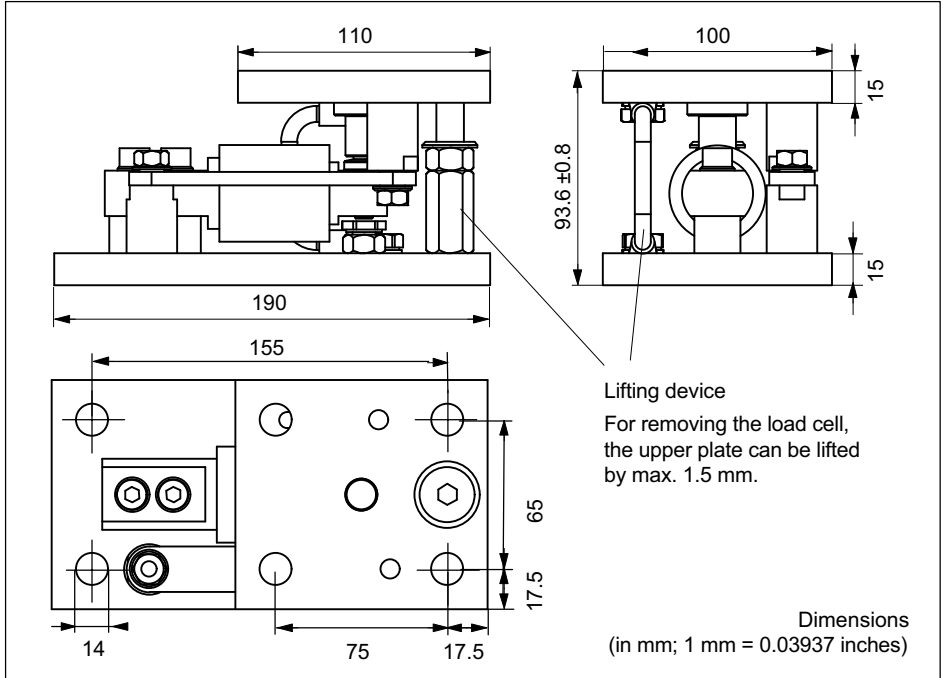
Extension cables must be shielded and of low capacitance. We recommend the use of HBM cables, which satisfy these requirements.

With cable extensions it is important to ensure that a good connection is provided, with minimum contact resistance and good insulation.

When using six-wire circuitry, the effects of resistance changes in the extension cable are compensated. If you extend the cable using four-wire circuitry, the sensitivity deviation can be rectified by adjusting the amplifier. However, temperature effects are only be compensated when operating with six-wire circuitry.

Route the load-cell connection cable so that any condensed water or dampness forming on the cable can drip off. It must not be able to reach the load cell. In addition ensure that no dampness can penetrate the open ends of the cable.

9 Dimensions



10 Specifications for the Z6/M... weighing module

Typ		Z6/M				
		30	50	100	200	500
Maximum capacity	kg					
Limit load (of load cell)	% of maximum capacity	150				
Restoring force, for 1 mm side offset	% of applied load	6,1				
Max. permissible side offset transverse to the stay rod axis ¹⁾	mm	± 1.5				
Max. permissible horizontal force in the stay rod direction	kN	5				
Max. permissible lift-off force	kN	5				
Material		galvanized or stainless steel				
Weight (depending on version, including load cell)	kg	8 ... 9				
Play on overload stop	mm	≤ 0.36	≤ 0.35	≤ 0.25	≤ 0.45	≤ 0.80

1) With horizontal alignment of upper module plate

11 Specifications for the Z6... load cells

Type		Z6FD1	Z6FC3
Accuracy class according to OIML R 60		D1	C3
Maximal numbers of load cell verification intervals (n_{LC})		1000	3000
Max. capacity (E_{max})	kg	50; 100; 200; 500	50; 100; 200; 500
	t	1	1
Minimum load cell verification interval (v_{min})	% of C_n	0.0360	0.0090
Nominal sensitivity (C_n)	mV/V	2	2
Tolerance on sensitivity for load application in specified direction	%	< +(1;-0.1)	< ± 0.05
Temperature effect on sensitivity (TK_C) ²⁾	% of $C_n/10$ K	< ± 0.0500	< ± 0.0080
Temperature effect on zero balance (TK_0)		< ± 0.0500	< ± 0.0125
Hysteresis error (d_{hy}) ²⁾	%	< ± 0.0500	< ± 0.0170
Non-linearity (d_{lin}) ²⁾		< ± 0.0500	< ± 0.0180
Creep (d_{DR}) in 30 min.		< ± 0.0490	< ± 0.0166
Input resistance (R_{LC})	Ω	350...480	
Output resistance (R_0)		356 ± 0.2	356 ± 0.12
Reference voltage (U_{ref})	V	5	
Nom. (rated) range of excitation voltage (B_u)		0.5...12	
Isolation resistance (R_{is})	G Ω	> 5	
Nominal (rated) temperature range (B_T)	°C [°F]	-10...+40 [+14...+104]	
Service temperature range (B_{tu})		-30...+70 [-22...+158]	
Storage temperature range (B_{tl})		-50...+85 [-58...+185]	

Type		Z6FD1		Z6FC3	
Safe load limit (E_L)	% of E_{max}	150			
Breaking load (E_d)		300			
Maximum capacity	kg	50	100	200	500
Permissible dynamic load (vibration bandwidth to DIN 50100)	% of E_{max}	100	100	100	100
Nominal (rated) displacement, approx.	mm	0.27	0.31	0.39	0.6
Weight, approx.	kg	0.5	0.5	0.5	0.5
Degree of protection according to EN60529 (IEC529)		IP 68 (severe test conditions: 1 m water column; 100 h)			
Material Measuring body Bellows Screwed cable gland Cable sheath		Stainless steel Stainless steel Stainless steel / Viton® PVC			

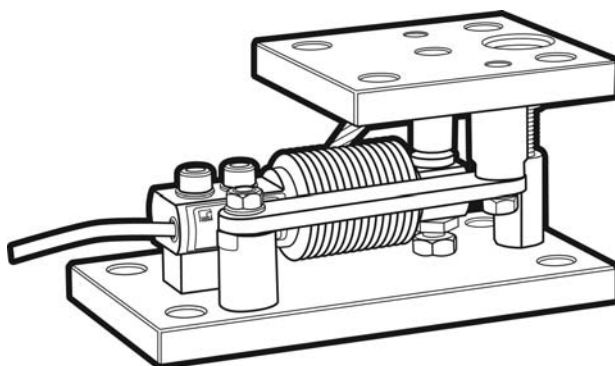
2) The values for linearity deviation, relative reversibility error and temperature effect on sensitivity are typical values. The sum of these values is within the cumulative error limits laid down by OIML R60.

Mounting Instructions | **Montageanleitung** | Notice de montage

English

Deutsch

Français



Z6/M

1	Sicherheitshinweise	3
2	Verwendete Kennzeichnungen	6
2.1	In dieser Anleitung verwendete Kennzeichnungen	6
2.2	Auf dem Gerät angebrachte Symbole	7
3	Allgemeines	8
4	Montagevorbereitung	9
5	Montage	10
6	Betrieb	12
7	Einbaubeispiele für Wägemodule mit Lenker	13
8	Elektrischer Anschluss	14
8.1	Parallelschaltung mehrerer Wägemodule	15
8.2	Anschluss in Vierleiter-Technik	16
8.3	Kabelverlängerungen	16
9	Abmessungen	17
10	Technische Daten des Wägemoduls Z6/M...	18
11	Technische Daten der Wägezellen Z6...	19

1 Sicherheitshinweise

Wo bei Bruch Menschen und Sachen zu Schaden kommen können, müssen vom Anwender entsprechende Sicherheitsmaßnahmen (z.B. Absturzsicherungen, Überlastsicherungen usw.) getroffen werden. Der einwandfreie und sichere Betrieb von Wägemodulen setzt sachgemäßen Transport, fachgerechte Lagerung, Aufstellung und Montage sowie sorgfältige Bedienung und Instandhaltung voraus.

Die einschlägigen Unfallverhütungsvorschriften sind unbedingt zu beachten. Berücksichtigen Sie insbesondere die in den technischen Daten genannten Grenzlasten.

Bestimmungsgemäßer Gebrauch

Die Wägemodule der Typen Z6/M... sind für wägetechnische Anwendungen konzipiert. Jeder darüber hinausgehende Gebrauch gilt als *nicht* bestimmungsgemäß.

Zur Gewährleistung eines sicheren Betriebes dürfen die Wägemodule nur nach den Angaben in der Montageanleitung verwendet werden. Bei der Verwendung sind zusätzlich die für den jeweiligen Anwendungsfall erforderlichen Rechts- und Sicherheitsvorschriften zu beachten. Sinngemäß gilt dies auch bei Verwendung von Zubehör.

Die Wägemodule sind keine Sicherheitselemente im Sinne des bestimmungsgemäßen Gebrauchs. Der einwandfreie und sichere Betrieb des Wägemodules setzt sachgemäßen Transport, fachgerechte Lagerung, Aufstellung und Montage sowie sorgfältige Bedienung und Instandhaltung voraus.

Allgemeine Gefahren bei Nichtbeachten der Sicherheitshinweise

Die Wägemodule entsprechen dem Stand der Technik und sind betriebssicher. Von den Wägemodulen können Restgefahren ausgehen, wenn sie von ungeschultem Personal unsachgemäß eingesetzt und bedient werden.

Jede Person, die mit Aufstellung, Inbetriebnahme, Wartung oder Reparatur eines Wägemodules beauftragt ist, muss die Montageanleitung und insbesondere die sicherheitstechnischen Hinweise gelesen und verstanden haben.

Restgefahren

Der Leistungs- und Lieferumfang der Wägemodule deckt nur einen Teilbereich der Wägetechnik ab. Sicherheitstechnische Belange der Wägetechnik sind zusätzlich vom Anlagenplaner/Ausrüster/Betreiber so zu planen, zu realisieren und zu verantworten, dass Restgefahren minimiert werden. Jeweils existierende Vorschriften sind zu beachten. Auf Restgefahren im Zusammenhang mit der Wägetechnik ist hinzuweisen.

Umgebungsbedingungen

Beachten Sie in Ihrem Anwendungsfeld, dass alle Stoffe die (Chlor-) Ionen freisetzen, auch nichtrostende Stähle und deren Schweißnähte angreifen. In diesem Fall sind von der Betreiberseite entsprechende Schutzmaßnahmen vorzusehen.

Verbot von eigenmächtigen Umbauten und Veränderungen

Die Wägemodule dürfen ohne unsere ausdrückliche Zustimmung weder konstruktiv noch sicherheitstechnisch verändert werden. Jede Veränderung schliesst eine Haftung unsererseits für daraus resultierende Schäden aus.

Qualifiziertes Personal

Diese Wägemodule sind nur von qualifiziertem Personal ausschließlich entsprechend der technischen Daten in Zusammenhang mit den nachstehend ausgeführten Sicherheitsbestimmungen und Vorschriften einzusetzen. Hierbei sind zusätzlich die für den jeweiligen Anwendungsfall erforderlichen Rechts- und Sicherheitsvorschriften zu beachten. Sinngemäß gilt dies auch bei Verwendung von Zubehör.

Qualifiziertes Personal sind Personen, die mit Aufstellung, Montage, Inbetriebsetzung und Betrieb des Produktes vertraut sind und die über die ihrer Tätigkeit entsprechende Qualifikationen verfügen.





Unfallverhütung

Obwohl die angegebene Nennlast im Zerstörungsbereich ein Mehrfaches vom Messbereichsendwert beträgt, müssen die einschlägigen Unfallverhütungsvorschriften der Berufsgenossenschaften berücksichtigt werden.

2 Verwendete Kennzeichnungen

2.1 In dieser Anleitung verwendete Kennzeichnungen

Wichtige Hinweise für Ihre Sicherheit sind besonders gekennzeichnet. Beachten Sie diese Hinweise unbedingt, um Unfälle und Sachschäden zu vermeiden.

Symbol	Bedeutung
 VORSICHT	Diese Kennzeichnung weist auf eine <i>mögliche</i> gefährliche Situation hin, die – wenn die Sicherheitsbestimmungen nicht beachtet werden – leichte oder mittlere Körperverletzung zur Folge <i>haben kann</i> .
<i>Hinweis</i>	Diese Kennzeichnung weist auf eine Situation hin, die – wenn die Sicherheitsbestimmungen nicht beachtet werden – Sachschäden zur Folge <i>haben kann</i> .
 Wichtig	Diese Kennzeichnung weist auf <i>wichtige</i> Informationen zum Produkt oder zur Handhabung des Produktes hin.
 Tip	Diese Kennzeichnung weist auf Anwendungstipps oder andere für Sie nützliche Informationen hin.
 Information	Diese Kennzeichnung weist auf Informationen zum Produkt oder zur Handhabung des Produktes hin.
<i>Hervorhebung</i> <i>Siehe ...</i>	Kursive Schrift kennzeichnet Hervorhebungen im Text und kennzeichnet Verweise auf Kapitel, Bilder oder externe Dokumente und Dateien.

2.2 Auf dem Gerät angebrachte Symbole



CE-Kennzeichnung

Mit der CE-Kennzeichnung garantiert der Hersteller, dass sein Produkt den Anforderungen der relevanten EG-Richtlinien entspricht (die Konformitätserklärung finden Sie auf der Website von HBM (www.hbm.com) unter HBMdoc).

3 Allgemeines

HBM bietet Wägemodule Z6/M... für die Nennlasten 30 kg ... 200 kg und 500 kg an. Die Wägemodule sind vorwiegend für den Einsatz in der Behälterverwiegung konzipiert.

Die Wägemodule sind mit Lenkern ausgerüstet. Ein einstellbarer Überlastanschlag ist integriert.

Zusammengesetzt sind die Module aus einer Grundplatte, der Wägezelle mit Lasteinleitungselementen und der Deckplatte. Zur Lasteinleitung wird eine Pendelstütze verwendet, die es ermöglicht horizontale Lastverschiebungen (wie sie z.B. durch thermische Dehnungen entstehen können) auszugleichen. Die Wägemodule werden vormontiert und mit einem Erdungskabel versehen, ausgeliefert.

4 Montagevorbereitung

- Es ist darauf zu achten, dass die vorgesehenen Montage/Aufstellflächen sauber, eben und waagrecht ausgerichtet sind. Etwaige Schiefstellungen können je nach Einbausituation zum Beispiel durch entsprechende Keile und Ausgleichsplatten (festschweißen) oder durch das Abschleifen der Montagefläche ausgeglichen werden.



Wichtig

Auf keinen Fall dürfen die Modulplatten abgeschliffen werden.

- Das Fundament/Basiskonstruktion muss genügend steif sein, um unzulässige Verformungen (z.B. Durchbiegungen) unter Belastung zu vermeiden.
- Um eine von Zwangskräften freie Montage zu ermöglichen, müssen die Befestigungsbohrungen an Basiskonstruktion und Behälteranschluss ausreichend fluchten.
- Es ist eine gleichmäßige Belastung an den Lagerpunkten anzustreben. Dazu muss insbesondere bei statisch unbestimmter Lagerung für eine korrekte Einstellung des Höhenniveaus an den Lagerpunkten Sorge getragen werden (Ausgleichsbleche bereithalten).

5 Montage

- Das Modul wird mit angehobener Deckplatte ausgeliefert. Vor der Montage ist diese durch lösen der Mutter abzusenken.
- Bei der Montage des Behälters ist darauf zu achten, dass keine Stoßbelastungen auf das Modul einwirken (z.B. beim Absenken auf die Lagerpunkte). Auch kurzzeitige Belastungen, welche die Grenzwerte der Wägezelle überschreiten, können zu deren Beschädigung führen.

Hinweis

Der werkseitig eingestellte Überlastanschlag ist für den Überlastfall während des Betriebs ausgelegt. Für Stoßbelastungen bei der Montage, die oft ein Vielfaches der zulässigen Grenzwerte betragen können, ist er nicht ausgelegt.

- Bei statisch unbestimmter Lagerung wird sich eine ungleichmäßige Belastung der Module durch Nachgiebigkeit der Lastaufnahme oder nicht ausreichende Genauigkeit bei der Höhenjustage einstellen. Diese Ungleichmässigkeit ist an den einzelnen Wägezellen durch Anlegen einer Speisespannung und den Vergleich der Ausgangsspannungen zu überprüfen. Größere Ungleichmässigkeiten sind zur Vermeidung von Überlastungen, durch Einfügen von Unterlegblechen an den am geringsten belasteten Lagern, auszugleichen.
- Bei schweren Behältern oder ungünstigen Einbaubedingungen ist die Verwendung von Montagehilfen, (Hilfsstützen, Hebevorrichtungen) zu empfehlen.

- Die Wägemodule müssen so montiert werden, dass sie im Ausgangszustand querkräftfrei sind. Das heißt, die eingebaute Pendelstütze muss möglichst genau senkrecht ausgerichtet sein. Dies ist dann der Fall, wenn Fundament und Behälteranschluss waagrecht sind und die Befestigungsbohrungen an Fundament und Behälteranschluss genügend fluchten.
- Grund- und Deckplatte sind fest (gilt nur für auf der Unterlage verspannungsfrei montierte Module) mit dem Fundament bzw. Behälter zu verbinden.
- Zum Schutz vor Schweißströmen, welche die elektrischen Teile der Aufnehmer zerstören können, dient das montierte Erdungskabel EEK4.

Hinweis

Soll die Wägezelle ausgetauscht werden, kann die obere Modulplatte um maximal 1,5 mm angehoben werden. Durch Arretieren der Mutter in dieser Position, kann die obere Modulplatte fixiert werden. Der Behälter muss nicht demontiert werden.

Beachten Sie folgende Anzugsmomente der Befestigungsschrauben beim Austausch der Wägezelle bis 200kg Nennlast

galvanisch verzinkte Ausführung: 34 N·m

nichtrostende Ausführung: 23 N·m

500 kg Nennlast

galvanisch verzinkte Ausführung: 76 N·m

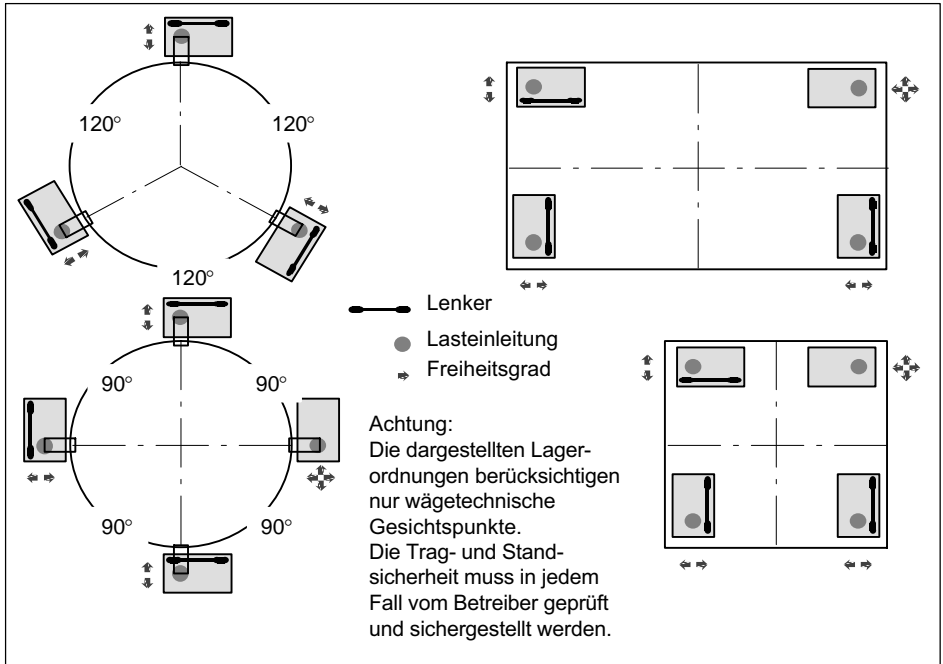
nichtrostende Ausführung: 45 N·m

Die Einstellung des Überlastanschlages muss nach dem Einbau der ausgetauschten Wägezelle überprüft werden. Siehe technische Daten des Wägemoduls: "Einstellspiel des Überlastanschlages".

6 Betrieb

- Staub, Schmutz und andere Fremdkörper dürfen sich nicht so ansammeln, dass diese die Beweglichkeit des Aufnehmers (Faltenbalg) beeinträchtigen.
- Der Spalt des Überlastanschlages und seitliche Anschläge dürfen ebenfalls nicht verschmutzen
- Das Spiel des Überlastanschlages (siehe Angaben in Tabelle "Technische Daten des Wägemodules") sollte in regelmäßigen Abständen, z.B. mit einer Fühlerlehre, überprüft und gegebenenfalls neu justiert werden.
- Die Wägemodule dürfen nicht völlig entlastet werden um ein Ausheben der Lasteinleitungselemente zu vermeiden.
- Seitliche Verschiebungen, die über den maximal zulässigen Wert hinausgehen und nicht in Lenkerrichtung wirken, sind durch entsprechende Ausrichtung der anderen Module zu vermeiden, oder durch anderweitige Anschläge bzw. Vorrichtungen aufzunehmen.
- Das Bewegungsspiel des Lenkers sollte regelmäßig kontrolliert und gegebenenfalls nachjustiert werden.

7 Einbaubeispiele für Wägemodule mit Lenker

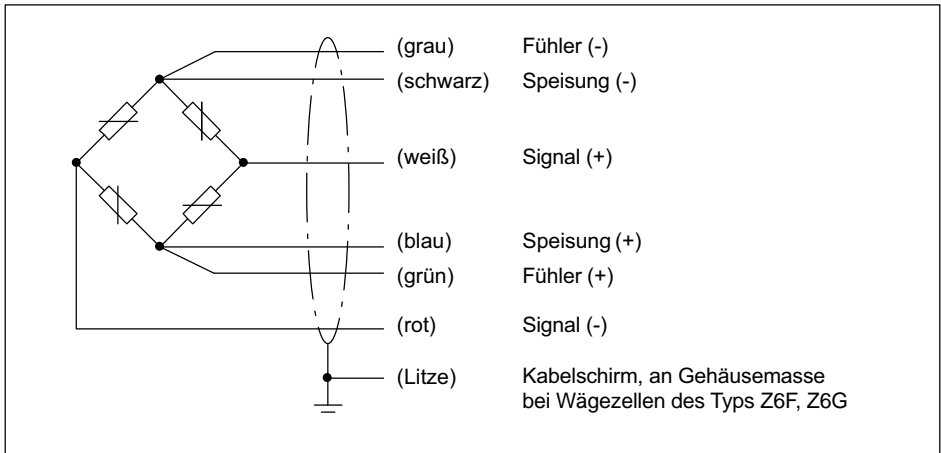


8 Elektrischer Anschluss

Die Wägezellen des Wägemodules können angeschlossen werden an:

- Trägerfrequenz-Messverstärker oder
- Gleichspannungs-Messverstärker, die für DMS-Messsysteme geeignet sind

Die Anschlussbelegung der Wägezelle ist in *Abb. 8.1* dargestellt.



*Abb. 8.1 Anschlussbelegung der Wägezelle
(Sechsheiter-Technik)*

Elektrische und magnetische Felder verursachen oft eine Einkopplung von Störspannungen in den Messkreis. Deshalb:

- verwenden Sie nur abgeschirmte kapazitätsarme Messkabel (HBM-Kabel erfüllen diese Bedingungen)
- legen Sie die Messkabel nicht parallel zu Starkstrom- und Steuerleitungen. Falls das nicht möglich ist, schützen Sie das Messkabel z.B. durch Stahlpanzerrohre
- meiden Sie Streufelder von Trafos, Motoren und Schützen

8.1 Parallelschaltung mehrerer Wägemodule

Wägezellen schalten Sie elektrisch parallel, indem Sie die gleichfarbigen Aderenden der Wägezellenanschlusskabel miteinander verbinden. Dafür stehen vorzugsweise die Klemmenkästen *VKK...* aus dem HBM-Programm zur Verfügung. Das Ausgangssignal ist dann der Mittelwert der einzelnen Ausgangssignale.



VORSICHT

Die Überlastung einer einzelnen Wägezelle kann dann nicht am Ausgangssignal erkannt werden.

8.2 Anschluss in Vierleiter-Technik

Bei Anschluss an Verstärker mit Vierleiter-Technik sind die Adern bl und gn sowie sw und gr miteinander zu verbinden. Folgende Abweichungen treten bei ungekürztem Kabel (3 m) auf: Kennwert $-0,2\%$ und TKC $-0,01\%/10\text{ K}$.

8.3 Kabelverlängerungen

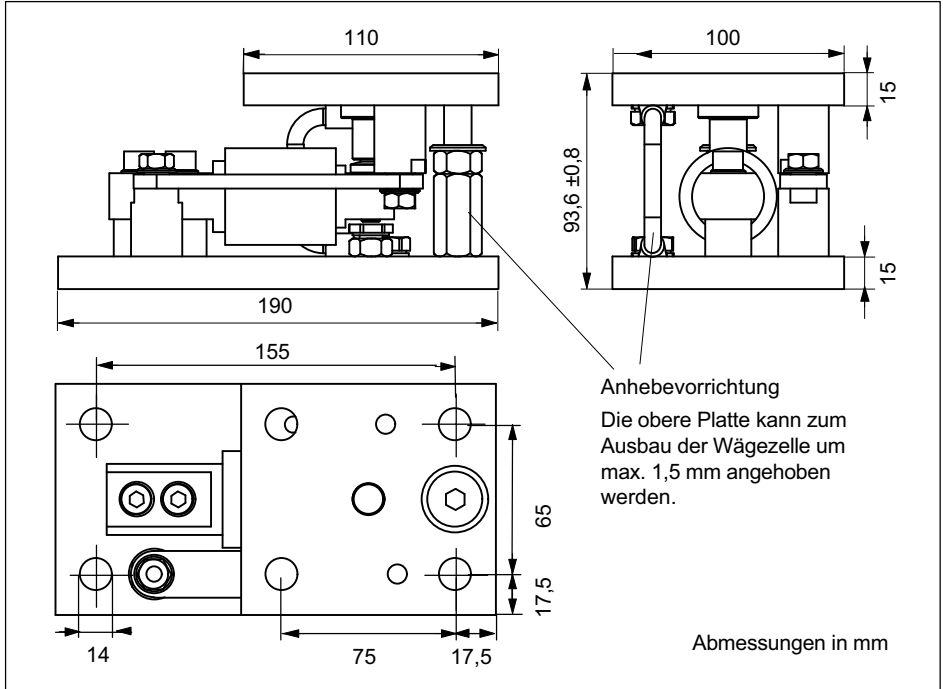
Verlängerungskabel müssen abgeschirmt und kapazitätssarm sein. Wir empfehlen die Verwendung von HBM-Kabeln, die diese Voraussetzungen erfüllen.

Bei Kabelverlängerungen ist auf eine einwandfreie Verbindung mit geringsten Übergangswiderständen und gute Isolation zu achten.

Bei Anwendung der Sechsheiter-Technik werden die Einflüsse durch Widerstandsänderungen der Verlängerungskabel ausgeglichen. Verlängern Sie das Kabel in Vierleiter-Technik, kann die Kennwertabweichung durch Justieren am Messverstärker beseitigt werden. Temperatureinflüsse werden jedoch nur bei Betrieb in Sechsheiter-Technik ausgeglichen.

Das Anschlusskabel der Wägezelle ist so zu verlegen, dass eventuell am Kabel entstandenes Kondenswasser oder Feuchtigkeit abtropfen kann. Es darf nicht zur Wägezelle geleitet werden. Außerdem ist dafür zu sorgen, dass keine Feuchtigkeit am offenen Kabelende eindringen kann.

9 Abmessungen



10 Technische Daten des Wägemoduls Z6/M...

Typ		Z6/M...				
		30	50	100	200	500
Nennlast	kg					
Grenzlast (der Wägezelle)	% von Nennlast	150				
Rückstellkraft, bei 1mm seitlicher Verschiebung	% der auf-gebrachten Last	6,1				
Max. zulässige seitliche Verschiebung quer zur Lenkerachse¹⁾	mm	± 1,5				
Max. zulässige Horizontalkraft in Lenkerrichtung	kN	5				
Max. zulässige Abhebekraft	kN	5				
Material		nichtrostender ²⁾ oder galvanisch verzinkter Stahl				
Gewicht (je nach Ausführung, einschließlich Wägezelle)	kg	8...9				
Einstellspiel des Überlastanschlages	mm	≤ 0,36	≤ 0,35	≤ 0,25	≤ 0,45	≤ 0,80

1) Bei horizontaler Ausrichtung der oberen Modulplatte

2) Nach EN 10088-1

11 Technische Daten der Wägezellen Z6...

Typ		Z6FD1	Z6FC3
Genauigkeitsklasse nach OIML R 60		D1	C3
Anzahl der Teilungswerte (n_{LC})		1000	3000
Nennlast (E_{max})	kg	50; 100; 200; 500	50; 100; 200; 500
	t	1	1
Mindestteilungswert (v_{min})	% v. C_n	0,0360	0,0090
Nennkennwert (C_n)	mV/V	2	2
Kennwerttoleranz bei Lasteinleitung in angegebener Richtung	%	< +(1;-0,1)	< $\pm 0,05$
Temperaturkoeffizient des Kennwerts (TK_C) ³⁾	%v.	< $\pm 0,0500$	< $\pm 0,0080$
Temperaturkoeffizient des Nullsignals (TK_0)	$C_n/10$ K	< $\pm 0,0500$	< $\pm 0,0125$
Relative Umkehrspanne (d_{hy}) ³⁾	%	< $\pm 0,0500$	< $\pm 0,0170$
Linearitätsabweichung (d_{lin}) ³⁾		< $\pm 0,0500$	< $\pm 0,0180$
Belastungskriechen (d_{DR}) über 30 min.		< $\pm 0,0490$	< $\pm 0,0166$
Eingangswiderstand (R_{LC})	Ω	350...480	
Ausgangswiderstand (R_0)		356 $\pm 0,2$	356 $\pm 0,12$
Referenzspannung (U_{ref})	V	5	
Nennbereich der Versorgungsspannung (B_u)	V	0,5...12	
Isolationswiderstand (R_{is})	G Ω	> 5	
Nennbereich der Umgebungstemperatur (B_T)	$^{\circ}C$	-10...+40	
Gebrauchstemperaturbereich (B_{tu})		-30...+70	
Lagerungstemperaturbereich (B_{tl})		-50...+85	

Typ		Z6FD1		Z6FC3	
Grenzlast (E_L)	% v. E _{max}	150			
Bruchlast (E_d)		≥ 300			
Nennlast	kg	50	100	200	500
Zulässige dynamische Belastung (Schwingbreite nach DIN 50100)	% v. E _{max}	100	100	100	100
Nennmessweg ca.	mm	0,27	0,31	0,39	0,6
Gewicht, ca.	kg	0,5	0,5	0,5	0,5
Schutzart nach EN60529 (IEC529)		IP 68 (verschärfte Prüfbedingungen: 1 m Wassersäule; 100 h)			
Material Messkörper Faltenbalg Kabelverschraubung Kabelmantel		nichtrostender Stahl ⁴⁾ nichtrostender Stahl ⁴⁾ nichtrostender Stahl ⁴⁾ /Viton [®] PVC			

3) Die Werte für die Linearitätsabweichung, relative Umkehrspanne und den Temperaturgang des Kennwertes sind Richtwerte. Die Summe dieser Werte liegt innerhalb der Summenfehlergrenze nach OIML R60.

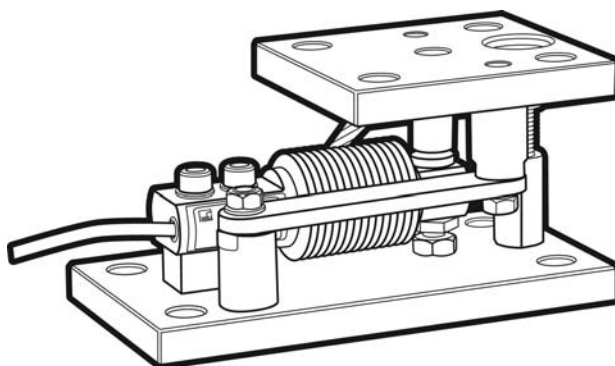
4) Nach EN 10088-1

Mounting Instructions | Montageanleitung | Notice de montage

English

Deutsch

Français



Z6/M

1	Consignes de sécurité	3
2	Marquages utilisés	6
2.1	Marquages utilisés dans le présent document	6
2.2	Marquages utilisés sur le produit	7
3	Généralités	8
4	Préparation du montage	9
5	Montage	10
6	Fonctionnement	12
7	Exemples de montage de modules de pesage de cuves avec barres de stabilisation	13
8	Raccordement	14
8.1	Mise en parallèle de plusieurs mod. de pesage de cuves	15
8.2	Raccordement en technique quatre conducteurs	15
8.3	Prolongations de câble	16
9	Dimensions	17
10	Caractéristiques techniques du module de pesage de cuves Z6/M...	18
11	Caractéristiques techniques des pesons Z6...	19

1 Consignes de sécurité

Dans les cas de rupture susceptibles de provoquer des dommages corporels et matériels, l'utilisateur se doit de prendre les mesures de sécurité qui s'imposent (p. ex. protection contre la chute, butée de surcharge, etc.). Le transport, le stockage, la mise en place et le montage conformément aux règles de l'art ainsi que l'utilisation et l'entretien minutieux des modules de pesage de cuves sont des conditions requises pour permettre leur fonctionnement parfait et sûr.

Les règles de prévention des accidents applicables doivent impérativement être observées. Respectez tout particulièrement les charges limites indiquées dans les caractéristiques techniques.

Utilisation conforme

Les modules de pesage de la série Z6/M... sont développés spécialement pour les applications de pesage. Toute utilisation divergente est considérée comme *non* conforme.

Pour garantir un fonctionnement en toute sécurité de ce capteur, celui-ci doit être utilisé conformément aux instructions de la notice de montage. De plus, il convient de respecter les règlements et consignes de sécurité pour chaque utilisation particulière. Ceci est également valable pour l'utilisation des accessoires.

Les modules de pesage ne constitue pas des éléments de sécurité au sens de l'utilisation conforme. Afin de garantir un fonctionnement parfait et en sécurité de ces modules de pesage, il convient de respecter les conditions suivantes : transport, stockage, installation et montage appropriés, maniement et entretien scrupuleux.

Risques généraux en cas de non-respect des consignes de sécurité

Les modules de pesage Z6/M... correspondent au niveau technologique actuel et garantissent la sécurité du fonctionnement. Néanmoins, les modules de pesage peuvent présenter des dangers résiduels en cas d'utilisation non conforme par du personnel non qualifié.

Toute personne chargée de l'installation, de la mise en service, de la maintenance ou de la réparation du capteur de force doit impérativement avoir lu et compris la notice de montage et, notamment, les indications relatives à la sécurité.

Dangers résiduels

Les performances et l'étendue de la livraison de ces modules de pesage ne couvrent qu'une partie des techniques de pesage. La sécurité dans ce domaine doit être conçue, mise en œuvre et prise en charge par l'ingénieur, le constructeur et l'opérateur de manière à minimiser les dangers résiduels. Les dispositions en vigueur doivent être respectées. Il convient de souligner les dangers résiduels liés aux techniques de pesage.

Conditions de l'ambiance

N'oubliez pas que, dans votre champ d'application, toutes les matières qui libèrent des ions (chlore) attaquent également les aciers inoxydables et leurs cordons de soudure. D'où la nécessité pour l'exploitant de prévoir des mesures de protection correspondantes.

Interdiction de toutes transformations et modifications sans autorisation

Il est interdit de modifier la conception ou la sécurité des modules de pesage sans accord explicite de notre part. Toute modification annule notre responsabilité pour les dégâts qui pourraient en résulter.

Personnel qualifié

Ces modules de pesage appareil doit uniquement être mis en place et manipulé par du personnel qualifié et conformément aux caractéristiques techniques et aux consignes de sécurité décrites ci-après. De plus, il convient de respecter les règlements et les consignes de sécurité valables pour chaque utilisation particulière. Ceci est également valable pour l'utilisation des accessoires.

Sont considérées comme personnel qualifié les personnes familiarisées avec l'installation, le montage, la mise en service et l'exploitation du produit et disposant des qualifications nécessaires.





Prévention des accidents

Bien que la charge nominale de plage de destruction donnée soit un multiple de la pleine échelle, il convient de respecter les règlements pour la prévention des accidents du travail.

2 Marquages utilisés

2.1 Marquages utilisés dans le présent document

Les remarques importantes pour votre sécurité sont repérées d'une manière particulière. Il est impératif de tenir compte de ces consignes, afin d'éviter les accidents et les dommages matériels.

Symbole	Signification
 ATTENTION	Ce marquage signale un risque <i>potentiel</i> qui - si les dispositions relatives à la sécurité ne sont pas respectées - <i>peut avoir</i> pour conséquence des blessures corporelles de gravité minime ou moyenne.
Note	Ce marquage signale une situation qui - si les dispositions relatives à la sécurité ne sont pas respectées - <i>peut avoir</i> pour conséquence des dégâts matériels.
 Important	Ce marquage signale que des informations <i>importantes</i> concernant le produit ou sa manipulation sont fournies.
 Conseil	Ce marquage est associé à des conseils d'utilisation ou autres informations utiles.
 Information	Ce marquage signale que des informations concernant le produit ou sa manipulation sont fournies.
<i>Mise en valeur</i> <i>Voir ...</i>	Pour mettre en valeur certains mots du texte, ces derniers sont écrits en italique.

2.2 Marquages utilisés sur le produit



Label CE

Avec le marquage CE, le fabricant garantit que son produit est conforme aux exigences des directives CE qui s'y appliquent (Pour voir la déclaration de conformité visitez <http://www.hbm.com/HBMdoc>).

3 Généralités

HBM propose des modules de pesage Z6/M... pour les charges nominales de 30 kg ... 200 kg et 500 kg. Les modules de pesage de cuves sont essentiellement conçus pour le pesage de cuves.

Les modules de pesage de cuves sont équipés de barres de stabilisation. Une butée de surcharge réglable est intégrée.

Les modules se composent d'une plaque de fond, d'un peson muni d'éléments d'introduction de charge et d'une plaque de recouvrement. L'introduction de charge fait appel à un appui pendulaire permettant de compenser les déplacements de charge horizontaux (pouvant p. ex. être générés par des dilatations thermiques). Les modules de pesage de cuves sont livrés prémontés et assortis d'un câble de terre.

4 Préparation du montage

- Il faut s'assurer que les surfaces d'installation/de montage prévues sont propres, planes et disposées horizontalement. Les éventuelles inclinaisons peuvent selon la situation d'installation être compensées (soudées) par exemple à l'aide de cales et de plaques de compensation appropriées ou en rectifiant (abrasant) la surface de montage.



Important

Les plaques de module ne doivent en aucun cas être abrasées.

- Le socle/la construction de base doit être suffisamment rigide pour éviter les déformations non autorisées (p. ex. les flexions) sous charge.
- Afin de permettre un montage sans forces de liaison, les trous de fixation sur la construction de base et le raccord de cuve doivent être correctement alignés.
- Il faut rechercher une charge homogène sur les points d'appui. Il faut pour cela, notamment en cas de positionnement incertain sur le plan statique, veiller à un réglage correct du niveau de hauteur des points d'appui (préparer des tôles de compensation).

5 Montage

- Le module est livré avec la plaque de recouvrement soulevée. Avant la montage, requiert desserrer l'écrou pour abaisser la plaque de recouvrement.
- Lors du montage de la cuve, il faut s'assurer qu'aucune charge d'impact n'agit sur le module, p. ex. lors de l'abaissement des points d'appui. Même des charges brèves dépassant les valeurs limites du peson peuvent entraîner la détérioration de ce dernier.

Note

La butée de surcharge réglée en usine est conçue pour le cas d'une surcharge pendant le fonctionnement. Elle n'est pas conçue pour les charges d'impact au montage qui peuvent souvent atteindre plusieurs fois les valeurs limites autorisées.

- En cas de positionnement incertain sur le plan statique, une sollicitation inégale des modules se produirait du fait de l'élasticité du récepteur de charge ou de la précision insuffisante de l'ajustement de la hauteur. Cette inégalité doit être contrôlée au niveau des différents pesons par la génération d'une tension d'alimentation et la comparaison des tensions de sortie. Les inégalités très importantes doivent être compensées afin d'éviter les surcharges, en insérant des tôles de calage au niveau des paliers les moins sollicités.
- Pour les cuves lourdes ou les conditions d'installation défavorables, il est recommandé d'utiliser des accessoires de montage (appuis auxiliaires, dispositifs de levage).

- -Les modules de pesage de cuves doivent être montés de manière à n'enregistrer aucun effort transversal dans leur état initial. Cela signifie que l'appui pendulaire intégré doit être disposé verticalement avec autant de précision que possible. C'est le cas lorsque le socle et le raccord de cuve sont à l'horizontale et leurs trous de fixation correctement alignés.
- La plaque de fond et la plaque de recouvrement doivent être reliées fixement (cela ne vaut que pour les modules montés sur le socle sans aucune déformation) au socle ou à la cuve.
- Le câble de terre EEK4 monté sert à assurer la protection contre les courants de soudage, qui peuvent détruire les pièces électriques des capteurs.

Note

Si le peson doit être remplacé, la plaque de module supérieure peut être levée de 1,5 mm au maximum. Des écrous arrêtés dans cette position permettent de fixer en haut la plaque de module supérieure.

Lors de la substitution du peson, respectez les couples de serrage préconisés pour les vis de fixation :

Charge nominale jusqu'à 200 kg

Version galvanisée : 34 N·m

Version inoxydable : 23 N·m

Charge nominale de 500 kg

Version galvanisée : 76 N·m

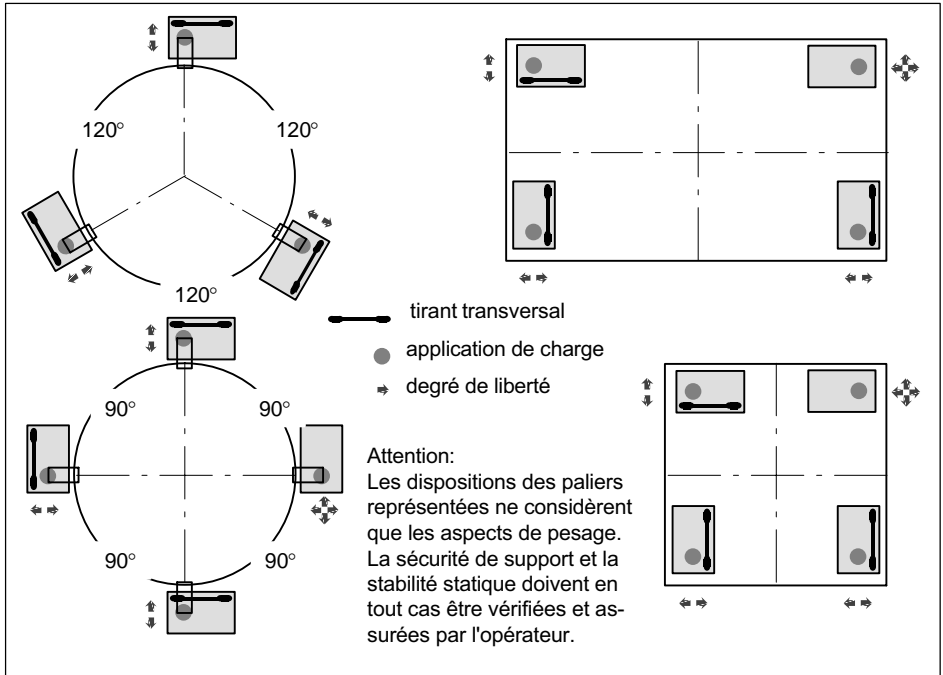
Version inoxydable : 45 N·m

Il n'est pas nécessaire de démonter la cuve. Le réglage de la butée de surcharge doit être contrôlée après l'installation du peson remplacé. Voir la fiche technique du module de pesage de cuves : "plage de réglage de la butée de surcharge".

6 Fonctionnement

- La poussière, la saleté et d'autres corps étrangers ne doivent pas s'accumuler de manière à entraver la mobilité du capteur (soufflet).
- La fente de la butée de surcharge et les butées latérales ne doivent également pas s'encrasser.
- Le jeu de la butée de surcharge (voir données du tableau "Caractéristiques techniques du module de pesage de cuves") doit être contrôlé à intervalles réguliers, p. ex. à l'aide d'une jauge d'épaisseur, et être réajusté si nécessaire.
- Les modules de pesage de cuves ne doivent pas être déchargés complètement afin d'éviter le soulèvement des éléments d'introduction de charge.
- Les déplacements latéraux supérieurs à la valeur maximale autorisée et ne s'effectuant pas dans la direction de la barre de stabilisation doivent être évités par l'alignement correspondant des autres modules ou absorbés par d'autres butées ou dispositifs.
- Le jeu de la barre de stabilisation transversale doit être contrôlé régulièrement et réajusté si nécessaire.

7 Exemples de montage de modules de pesage de cuves avec barres de stabilisation



8 Raccordement

Les pesons du module de pesage de cuves peuvent être raccordés:

- à des amplificateurs à fréquence porteuse ou
- à des amplific. à tension continue convenant aux systèmes de mesure à jauges d'extensométrie

Le plan de raccordement du peson est illustré sur la Fig. 8.1.

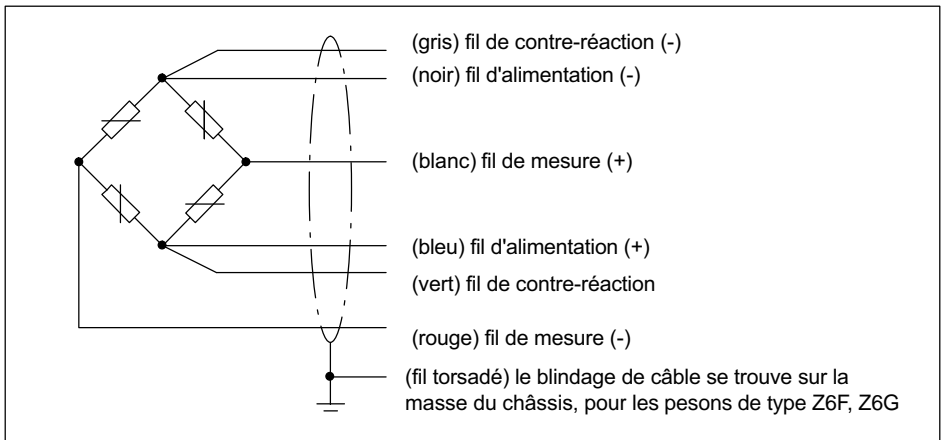


Fig. 8.1 Plan de raccordement du peson (technique à six conducteurs)

Les champs électriques et magnétiques provoquent souvent le couplage de tensions parasites dans le circuit de mesure. C'est la raison pour laquelle:

- vous devez utiliser uniquement des câbles de mesure blindés de faible capacité (les câbles HBM satisfont à ces conditions)

- vous ne devez pas poser les câbles de mesure en parallèle avec des câbles de commande et d'énergie. Si cela n'est pas possible, protégez le câble de mesure, p. ex. à l'aide de tubes d'acier blindés
- évitez les champs de dispersion des transformateurs, moteurs et vannes

8.1 Mise en parallèle de plusieurs mod. de pesage de cuves

Pour mettre électriquement en parallèle des pesons, reliez les extrémités de conducteur de même couleur des câbles de raccordement des pesons. Les blocs de jonction VKK... de la gamme HBM sont tout spécialement disponibles à cette fin. Le signal de sortie correspond alors à la valeur moyenne des différents signaux de sortie.



ATTENTION

La surcharge d'un seul peson ne peut alors pas être détectée au niveau du signal de sortie.

8.2 Raccordement en technique quatre conducteurs

En cas de raccordement à des amplificateurs en technique à quatre conducteurs, les fils bleu et vert ainsi que noir et gris doivent être reliés. Les écarts suivants se produisent pour un câble non raccourci (3 m) : sensibilité -0,2 % et influence de température sur la sensibilité -0,01 %/10 K.

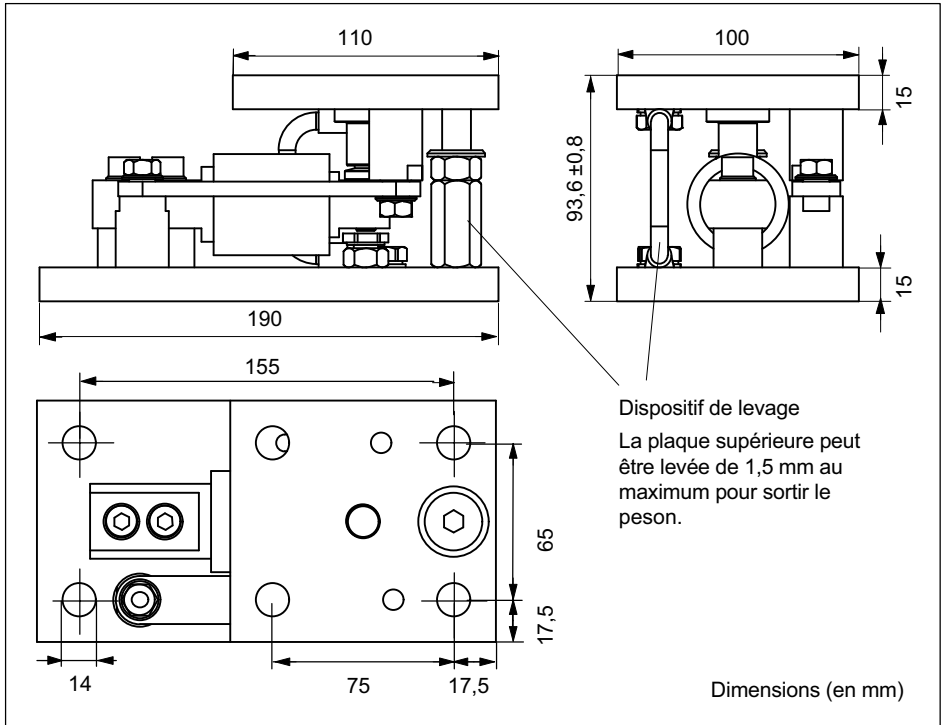
8.3 Prolongations de câble

Les câbles prolongateurs (rallonges) doivent être blindés et de faible capacité. Nous recommandons l'utilisation des câbles HBM qui satisfont à ces conditions requises. Pour les prolongations de câble, il faut veiller à une parfaite connexion avec des résistances de transition minimales et à une bonne isolation.

L'utilisation de la technique à six conducteurs permet de compenser les influences dues à des variations de résistance des câbles de rallonge. Si vous prolongez le câble selon la technique à quatre conducteurs, l'écart de la sensibilité peut être éliminé en ajustant l'amplificateur de mesure. Les influences de température ne sont toutefois compensées que lors d'un fonct. selon la technique à six conducteurs.

Le câble de raccordement du peson doit être posé de manière à ce que l'eau de condensation ou l'humidité éventuellement générée sur le câble puisse s'égoutter. Il ne doit pas être relié au peson. De plus, il convient de s'assurer que l'humidité ne peut pas pénétrer au niveau de l'extrémité de câble nue.

9 Dimensions



10 Caractéristiques techniques du module de pesage de cuves Z6/M...

Typ		Z6/M...				
		30	50	100	200	500
Charge nominale	kg					
Charge limite (du peson)	% de la charge nominale	150				
Force de rappel, pour un déplacement latéral de 1 mm	% de la charge appliquée	6,1				
Déplacement latéral maxi. autorisé perpendiculairement à l'axe de la barre ¹⁾	mm	± 1,5				
Force horizontale maxi. autorisée dans le sens de la barre	kN	5				
Force de soulèvement maxi. autorisée	kN	5				
Matériau		acier inoxydable ou galvanisé				
Poids	kg	8...9 (selon le modèle, peson compris)				
Jeu de réglage de la butée de surcharge	mm	≤ 0,36	≤ 0,35	≤ 0,25	≤ 0,45	≤ 0,80

1) Pour un alignement horizontal de la plaque de module supérieure

11 Caractéristiques techniques des pesons Z6...

Type		Z6FD1	Z6FC3
Classe de précision selon OIML R 60		D1	C3
Nombre d'échelons (n_{LC})		1000	3000
Charge nominale (E_{max})	kg	50; 100; 200; 500	50; 100; 200; 500
	t	1	1
Valeur minimale d'un échelon (v_{min})	% de C_n	0,0360	0,0090
Sensibilité nominale (C_n)	mV/V	2	2
Tolérance par rapport à la sensibilité lors d'une introduction de charge dans la direction indiquée	%	< +(1;-0,1)	< ±0,05
Coefficient de température de la sensibilité (TK_C)²	% de $C_n/10$ K	< ±0,0500	< ±0,0080
Coefficient de température du zéro (TK_0)		< ±0,0500	< ±0,0125
Erreur de réversibilité relative (d_{hy})²	%	< ±0,0500	< ±0,0170
Ecart de linéarité (d_{lin})²		< ±0,0500	< ±0,0180
Fluage sous charge (d_{DR}) sur 30 min.		< ±0,0490	< ±0,0166
Résistance d'entrée (R_{LC})	Ω	350...480	
Résistance de sortie (R_0)		356 ±0,2	356 ±0,12
Tension de référence (U_{ref})	V	5	
Plage nom. de la tension d'alimentation (B_U)		0,5...12	
Résistance d'isolement (R_{is})	G Ω	> 5	
Plage nom. de la température ambiante (B_T)	°C	-10...+40	
Plage de température de service (B_{tu})		-30...+70	
Plage de température de stockage (B_{tl})		-50...+85	

Type		Z6FD1		Z6FC3	
Charge limite (E_L)	% de E_{max}	150			
Charge de rupture (E_d)		≥ 300			
Charge nominale	kg	50	100	200	500
Charge dynamique admissible (amplitude d'oscillation selon la norme DIN 50100)	% de E_{max}	100	100	100	100
Déplacement de mesure nominal, env.	mm	0,27	0,31	0,39	0,60
Poids, env.	kg	0,5	0,5	0,5	0,5
Degré de protection selon la norme EN60529 (IEC529)		IP 68 (conditions d'essai renforcées: colonne d'eau d'1 m ; 100 h)			
Matériau élément de mesure soufflet passe-câble à vis gaine de câble		acier inoxydable acier inoxydable acier inoxydable / Viton® PVC			

- 2) Les valeurs de l'écart de linéarité, de la réversibilité relative et de la courbe de température de la sensibilité sont des valeurs indicatives. Le total de ces valeurs se situe au sein de la limite d'erreur cumulée de la recommandation internationale OIML R60.

托驰（上海）工业传感器有限公司
上海市嘉定区华江路348号1号楼707室
电话: +86 021 51069888
传真: +86 021 51069009
邮箱: zhang@yanatoo.com
网址: www.sensor-hbm.com

measure and predict with confidence

